



INSTALLATION INSTRUCTIONS

Components List:

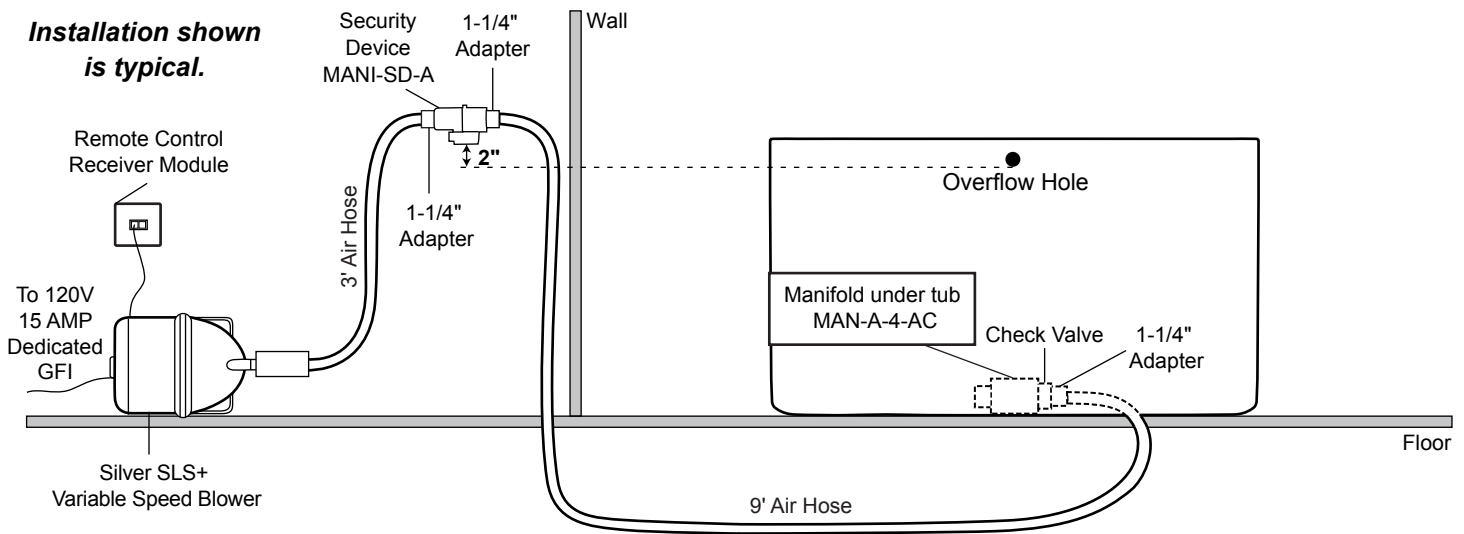
- BM-TWP Ball Check Valve Jets
- MANI-SD-A Security Device
- MAN-A-4-AC Manifold
- Silver SLS+ Variable Speed Blower

Install blower behind a wall (with an access panel) or in a closet. Blower can also be installed under floor. Ensure the Security device, MANI-SD-A, is at least 2" above the bottom of overflow hole. Security device and hose can be mounted in wall.

Watson

Double - Wall Copper Soaking Tub With Hammered Rim - With Overflow

Installation shown is typical.



INSIDE OF BATH TUB

Features:

- (12) Maxi Air Jets with 24 openings

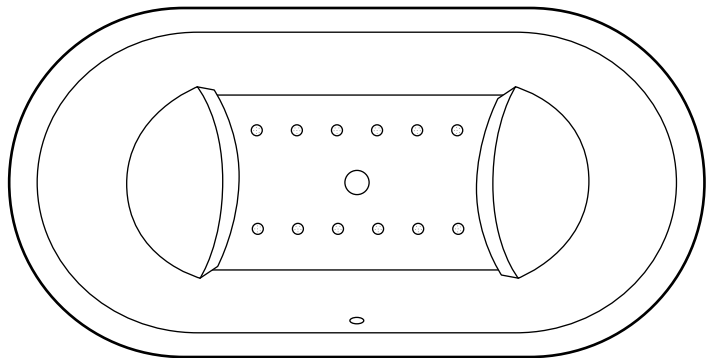


Elbows for air jets Tees for air jets

- Remote Control CG+/RTC-SENSOR-WP



12-15 year battery life





INSTALLATION INSTRUCTIONS

Components List:

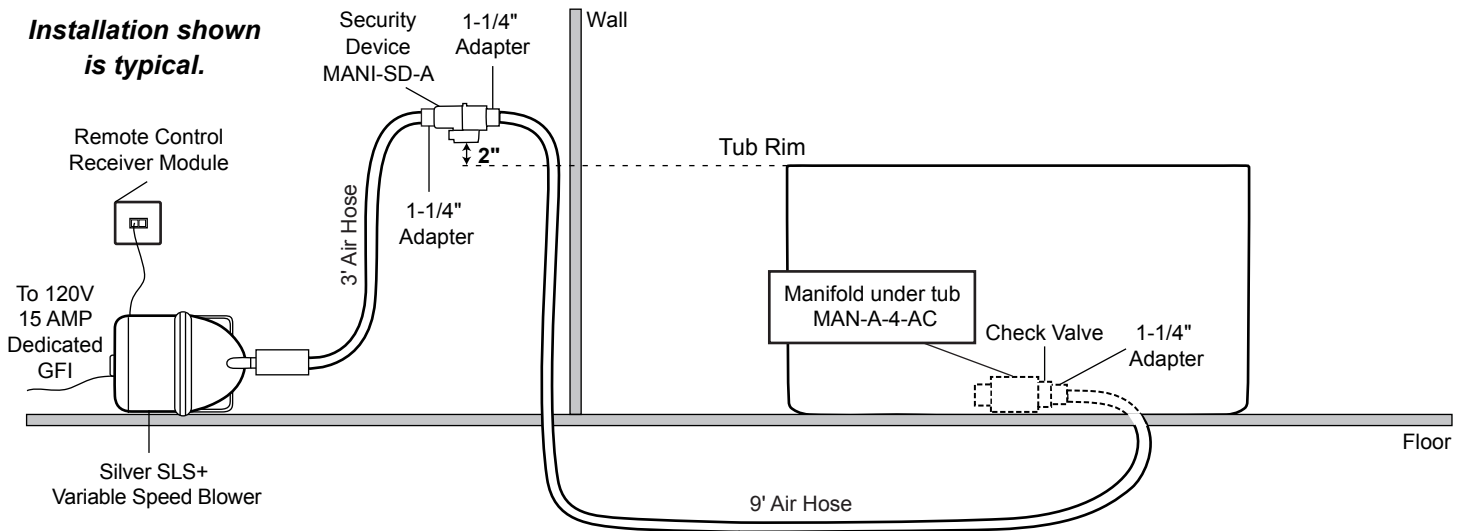
- BM-TWP Ball Check Valve Jets
- MANI-SD-A Security Device
- MAN-A-4-AC Manifold
- Silver SLS+ Variable Speed Blower

Install blower behind a wall (with an access panel) or in a closet. Blower can also be installed under floor. Ensure the Security device, MANI-SD-A, is at least 2" above the tub rim. Security device and hose can be mounted in wall.

Watson

Double - Wall Copper Soaking Tub With Hammered Rim - Without Overflow

**Installation shown
is typical.**



INSIDE OF BATH TUB

Features:

- (12) Maxi Air Jets with 24 openings

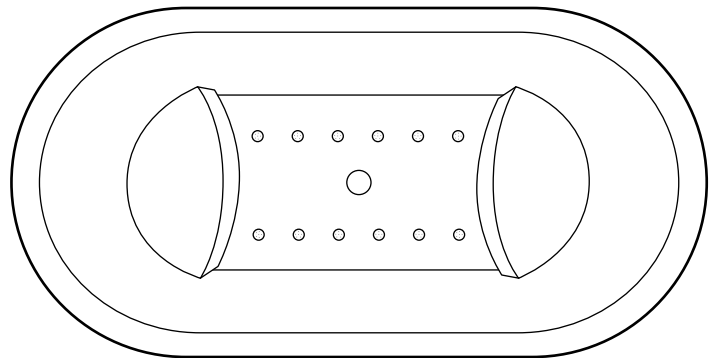


Elbows for air jets Tees for air jets

- Remote Control CG+/RTC-SENSOR-WP



12-15 year battery life





SPECIFICATIONS

Overall Dimensions	60" L x 30" W (front to back) x 34" H
Water Capacity	
without overflow	141 gallons
with overflow	127 gallons
Water Depth	
to top of tub	28-3/4" H
to overflow	26" H
Tub Weight Uncrated	200 lbs.
Tub Rim	3" wide
Faucet Configurations	No Drillings

All measurements are approximate. Measurements may vary +/- 1".

60" Watson

Double-Wall Copper
Soaking Air Tub

