



VANITY LIGHTING INSTALLATION

BEFORE YOU BEGIN

We recommend consulting a professional if you are unfamiliar with installing lighting fixtures. Signature Hardware accepts no liability for any damage caused, or for personal injury, during installation.

Hardwired lighting fixtures should be installed by a licensed electrician and must be in accordance with local and National Electrical Code (N.E.C) standards.

Unpack and inspect the lighting fixture for shipping damage. If any damage is found, contact our Customer Relations team at 1-866-855-2284.

GETTING STARTED

- Ensure that you have gathered all the required materials that are needed for the installation.
- Before performing any electrical work, ensure that the main power source is shut off to avoid electric shock.

TOOLS AND MATERIALS:



Phillips
Screwdriver



Step Ladder



Wire Cutters



Safety Glasses



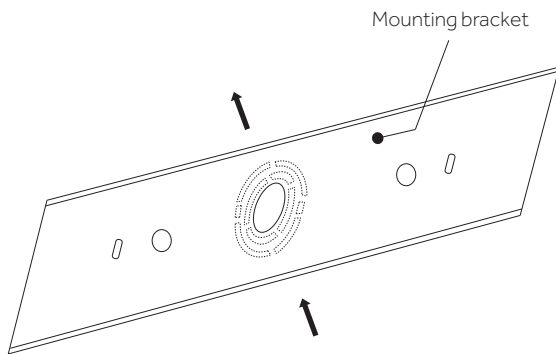
Wrench



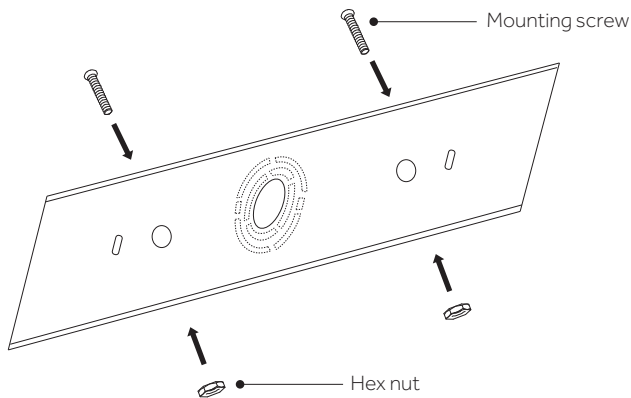
VANITY LIGHTING INSTALLATION

INSTALLATION

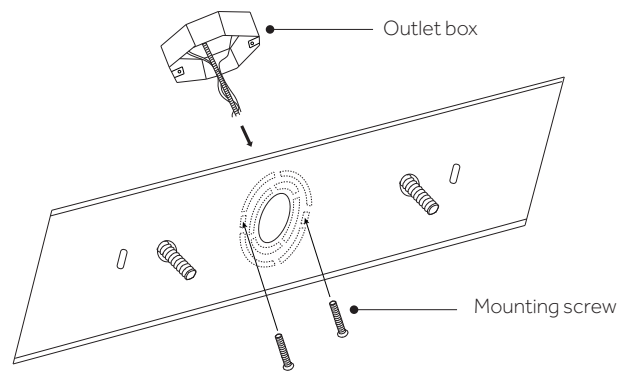
1. At the center of the mounting bracket there are eight perforated holes. Push out the set that matches your outlet box.



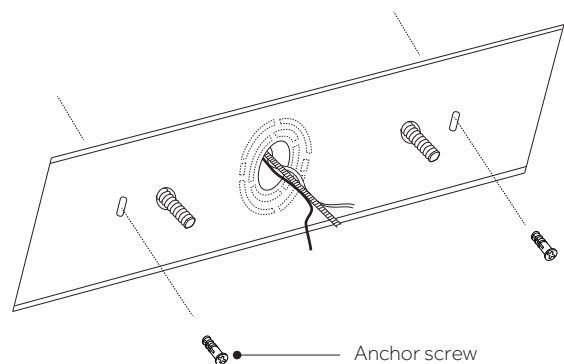
2. Tighten the mounting screw into the mounting bracket and thread the hex nuts on to the mounting screws. Then, fasten the mounting screws by tightening the hex nuts against the mounting bracket.



3. Pull the black, white, and ground supply wires through the center hole of the mounting bracket. Using the holes in the mounting bracket, fasten to the outlet box with the mounting screws.



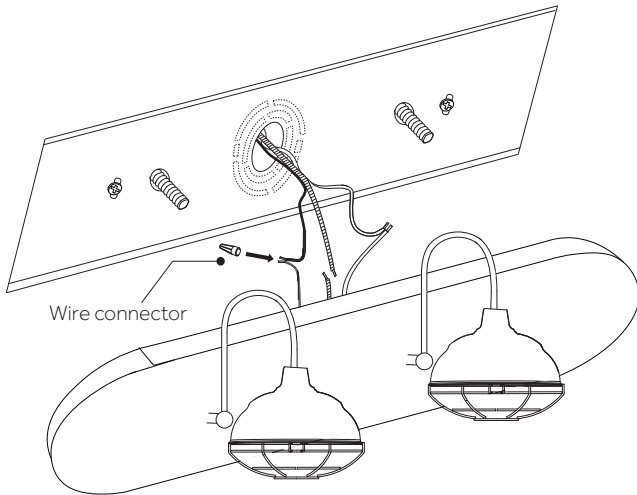
4. Fasten the mounting bracket to the wall by using back anchor screws in the set of holes near the ends of the mounting bracket.



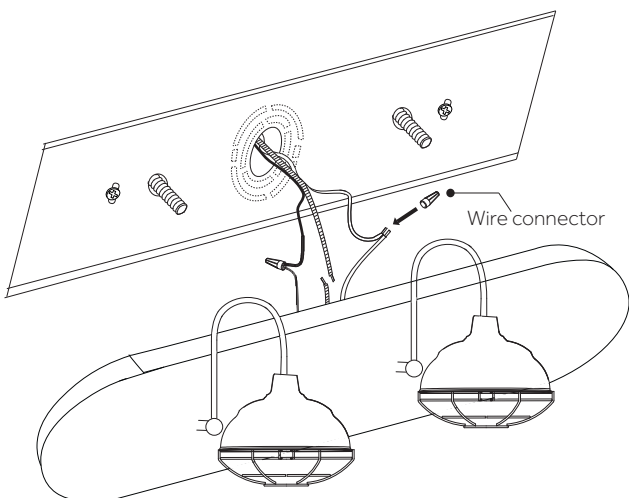


VANITY LIGHTING INSTALLATION

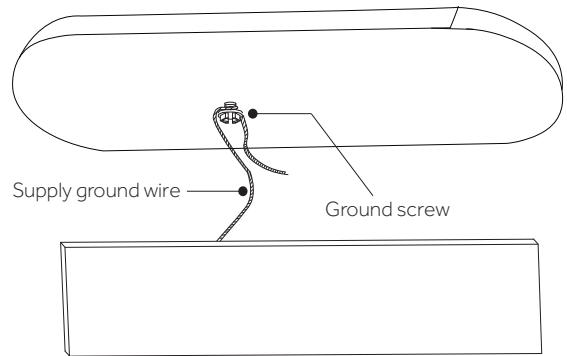
5. Attach the black supply wire to the black fixture lead wire by using the wire connector.



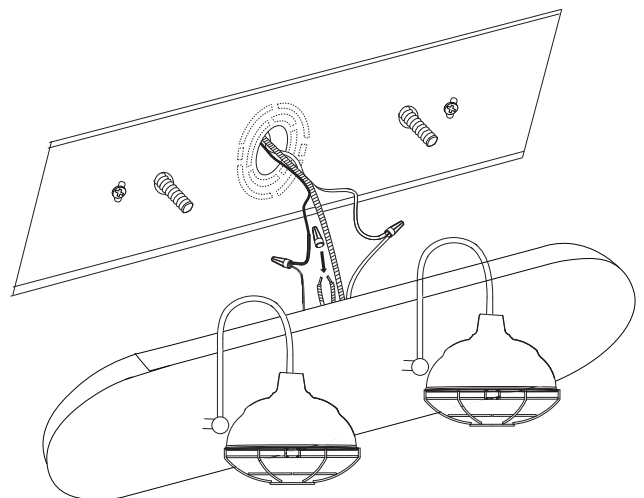
6. Attach the white supply wire to the white fixture lead wire by using the wire connector.



7. Loop the supply ground wire around the ground screw of the back plate. Then, tighten the ground screw.



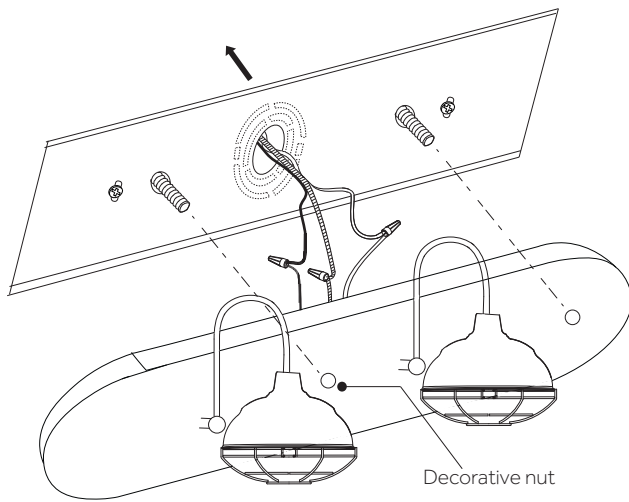
8. Connect the supply ground wire to the fixture ground wire using a wire connector.



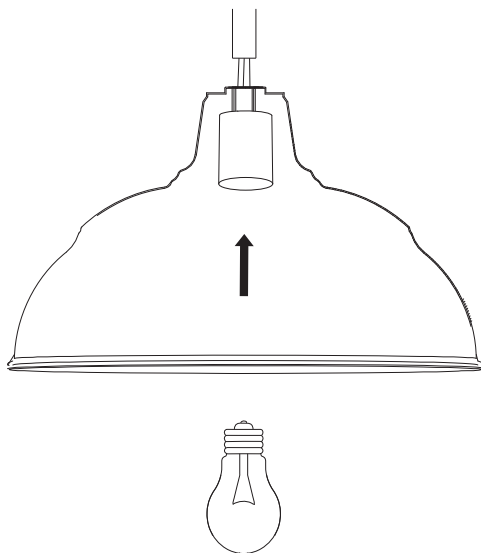


VANITY LIGHTING INSTALLATION

9. Place all wires inside the outlet box. Position the back plate onto the mounting screws and fasten into place with the decorative nuts.



10. Finish the installation by screwing the light bulb into the socket.



11. Place the steel shade and wire frame into position.

