



TATE BARN DOOR ASSEMBLY INSTRUCTIONS

BEFORE YOU BEGIN

We recommend consulting a professional if you are unfamiliar with assembling this type of product. Signature Hardware accepts no liability for any damage to the hardware, door, walls, floor, or for personal injury during installation.

Observe all local building codes.

Unpack and inspect the items for shipping damage. If any damage is found, contact our Customer Relations team at 1-866-855-2284.

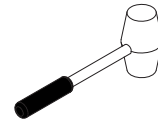
GETTING STARTED

- Ensure that you have gathered all the required materials that are needed for the installation.

TOOLS AND MATERIALS:



Wrench



Rubber Mallet



Socket Wrench



Wood Glue

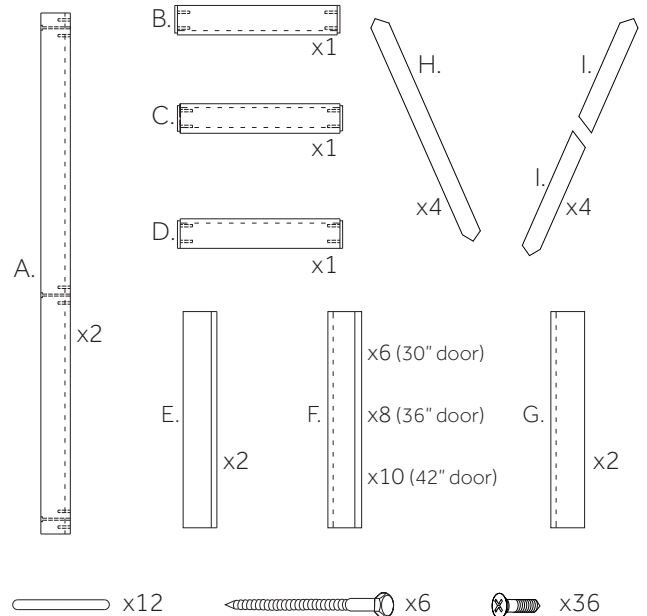


Hammer



Nail

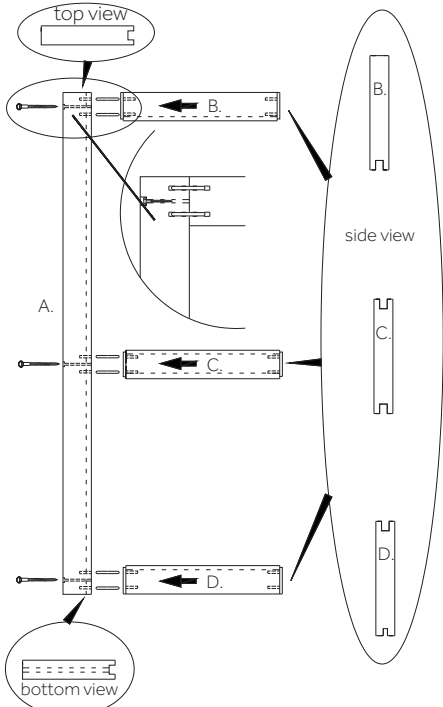
COMPONENTS:



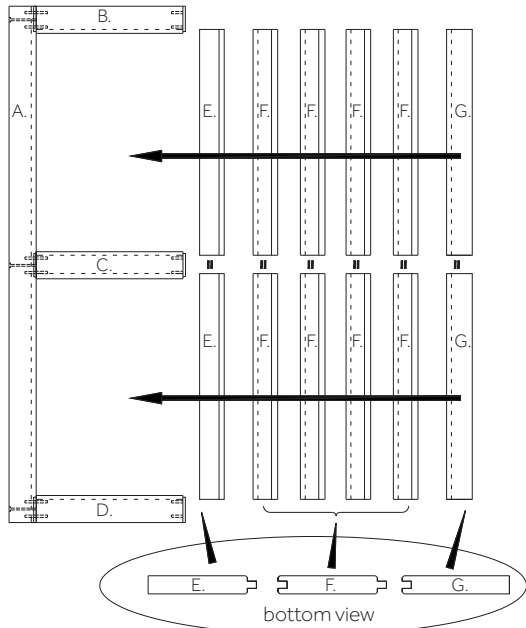


TATE BARN DOOR ASSEMBLY INSTRUCTIONS

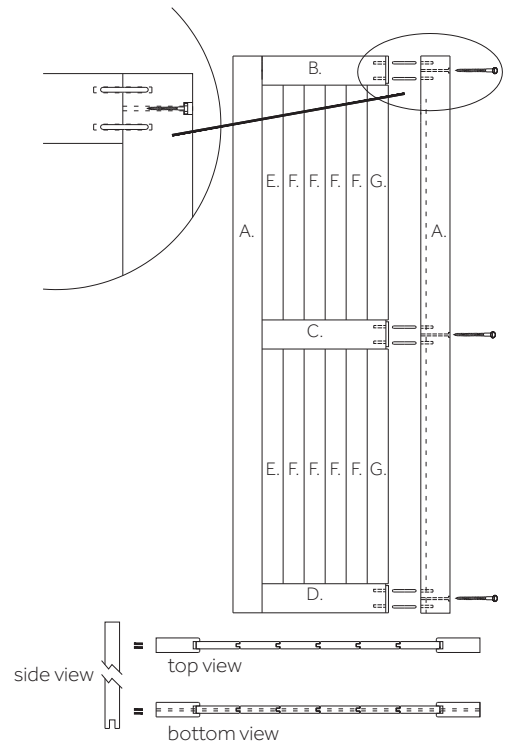
1.



2.



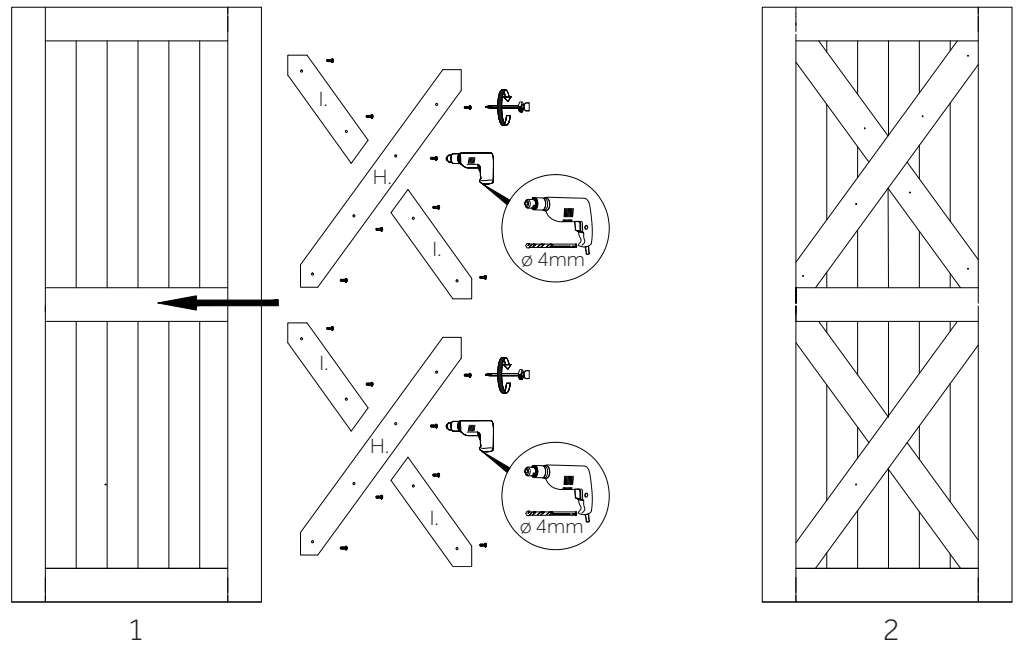
3.





TATE BARN DOOR ASSEMBLY INSTRUCTIONS

4A. Attaching using the provided screws.



4B. Attaching using nails and wood glue (not provided).

