



# SCAPPI RANGE HOOD INSTALLATION

## IMPORTANT SAFETY INFORMATION

### **TO REDUCE THE RISK OF FIRE, ELECTRIC SHOCK, OR PERSONAL INJURY, PLEASE READ THE FOLLOWING:**

Use the range hood only in the manner intended by the manufacturer. If you have questions, please contact Signature Hardware Customer Relations at 866-855-2284.

Before servicing or cleaning the unit, power off the unit and switch off the unit's circuit on the electrical panel.

Installation and electrical wiring must be done by a qualified and licensed professional in accordance with all applicable codes, standards, and fire-rated constructions.

Do not use the unit if any fans or electrical wiring are damaged. Contact Customer Relations or a qualified professional if any such issues arise.

To prevent backdraft, sufficient air is needed for proper combustion. Gas from the fuel burning equipment needs to exhaust through the flue (chimney). Follow the heating equipment manufacturer's guidelines and safety standards such as those published by the National Fire Protection Association (NFPA), the American Society for Heating, Refrigeration and Air Conditioning Engineers (ASHRAE), and the local code authorities.

When cutting or drilling into walls or the ceiling, be aware of electrical wires, plumbing, and other utilities behind the wall.

Ducted fans must always be vented outdoors.

**CAUTION:** For general ventilation use only. Do not use to exhaust hazardous or explosive materials and vapors.

**CAUTION:** To reduce the risk of fire and to properly exhaust air, be sure to duct air outside - DO NOT vent exhaust air into attics, crawl spaces, garages, or within walls or ceilings.

### **TO REDUCE THE RISK OF A STOVETOP GREASE FIRE, PLEASE READ THE FOLLOWING:**

Never leave surface units unattended at high settings. Boil-over can cause smoke and grease to spill over which could ignite. Heat oils slowly on low or medium settings.

Always turn the range hood ON when cooking at high heat or when cooking foods that could flame.

Clean ventilation fans frequently. Grease should not be allowed to accumulate on fans or filters.

Use proper pan sizes when cooking. Always use cookware appropriate for the size of the surface element.

### **TO REDUCE THE RISK OF INJURY, IN THE EVENT OF A STOVETOP GREASE FIRE, PLEASE READ THE FOLLOWING:**

SMOTHER FLAMES with a close-fitting lid, cookie sheet, or metal tray, then turn off the burner. BE CAREFUL TO PREVENT BURNS. If the flames do not go out immediately, EVACUATE AND CALL THE FIRE DEPARTMENT.

Never pick up or handle a flaming pan.

DO NOT USE WATER, including wet dishcloths or towels. This could cause a violent steam explosion.

Use an extinguisher ONLY if:

- Your fire extinguisher is a class ABC extinguisher, and you know how to operate it.

- The fire is small and contained in the area in which it started.

- The fire department has been called.

- You can fight the fire with your back to an exit.

\*Above based on "Kitchen Fire Safety Tips" published by the NFPA.

### **TO REDUCE THE RISK OF FIRE OR ELECTRICAL SHOCK, DO NOT USE RANGE HOOD WITH ANY SOLID-STATE SPEED CONTROL DEVICE.**



# SCAPPI RANGE HOOD INSTALLATION

## LOCATION REQUIREMENTS

**IMPORTANT:** Observe all governing codes and ordinances. It is the installer's responsibility to comply with installation clearances specified on the model/serial rating plate. Range hood's location should be away from strong draft areas, such as windows, doors, and strong heating vents. Cabinet opening dimensions that are shown must be used. Given dimensions provide minimum clearance.

## ELECTRICAL REQUIREMENTS

120 volt, 60 Hz, AC only, 15-amp

If the home contains aluminum wiring, follow the procedure below:

- Connect a section of solid copper wire to the pigtail leads.
- Connect the aluminum wiring to the copper wire using special connectors and/or tools designed and UL listed for joining copper to aluminum. Follow the manufacturer's recommended procedure for the electrical connector. Aluminum/copper connection must conform to local codes and industry accepted wiring practice.

Wire sizes and connections must conform to the rating of the appliance as specified on the model/serial rating plate. The model/serial plate is located behind the filter on the rear wall of the range hood.

Wire sizes must conform to the requirements of the National Electrical Code, ANSI/NFPA 70 (latest edition), or CSA Standards C22. 1-94, Canadian Electrical Code, Part 1 and C22.2 No. 0-M91 (latest edition) and all local codes and ordinances.

## VENTILATION REQUIREMENTS

### GENERAL REQUIREMENTS

- Range hood must be ventilated to the outdoors, except for non-vented (recirculating) installations.
- Do not use 4" (10.2cm) laundry-type wall caps.
- Length of the range hood and the number of elbows should be kept to a minimum to provide maximum performance.

### FOR THE MOST EFFICIENT AND QUIET OPERATION

- Use no more than three (3) 90-degree elbows.
- Ensure that there is a minimum of 24" (61cm) of straight duct between the elbows if more than one is used.
- Do not join two elbows together.
- Use clamps and tape to seal all joints in the vent system.
- The vent system must have a damper. If the roof or wall cap has a damper, do not use the damper supplied with the range hood.
- Use caulking to seal exterior walls or roof openings around the cap.
- The size of the vents should be uniform.

### COLD WEATHER INSTALLATIONS

An additional back draft damper should be installed to minimize backward cold air flow. A thermal break should be installed to minimize conduction of outside temperatures as part of the vent system. The damper should be on the cold air side of the thermal break. The break should be as close as possible to where the vent system enters the heated portion of the home.

### MAKEUP AIR

Local building codes may require the use of makeup air systems, when using ventilation systems greater than specified CFM of air movement. The specified CFM varies from state to state. Consult your HVAC professional for specific local requirements.

### VENTING METHOD

To vent through a wall, a 90-degree elbow is needed. If exhaust ducting with a diameter less than 5.91" (150mm) or if flat ducting is used, the noise level of the range hood could increase and extraction will be less efficient.



# SCAPPI RANGE HOOD INSTALLATION

## VENTILATION REQUIREMENTS (cont'd.)

### REAR DISCHARGE

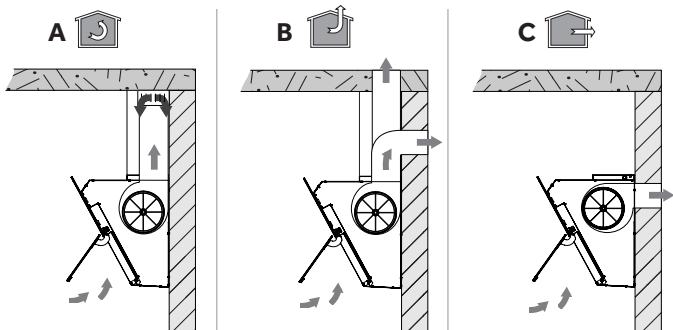
A 90-degree elbow may be installed immediately above the hood.

### FOR NON-VENTED (recirculating) INSTALLATIONS

If it is not possible to vent the range hood to the outside, certain hoods can be used in the non-vented (recirculating) version by fitting a carbon filter at the motor. Fumes and vapors are recycled through the top grille. DO NOT block the chimney holes.

### CALCULATING VENT SYSTEM LENGTH

To calculate the length of the system you need, add the equivalent feet (meters) for all vent pieces used in the system.



## TOOLS AND MATERIALS



Pencil



Level



Utility Knife



Drill



Tape Measure



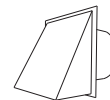
Wood  
Screws



Duct Tape



6" Ducting



Outside Duct  
Cap



Phillips  
Screwdriver



Jigsaw

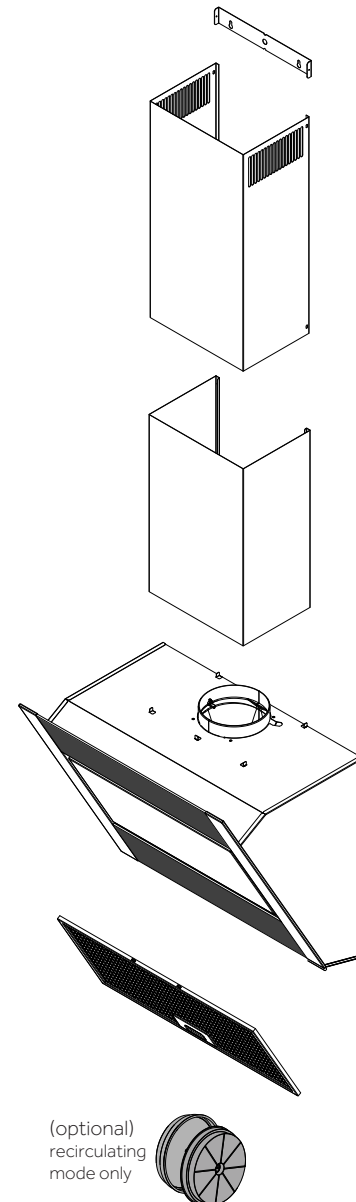


# SCAPPI RANGE HOOD INSTALLATION

## INSTALLATION

- Drill holes A-B-C according to indications quoted in (fig.3).
- Hang the range hood on the wall using the drill holes A (fig.5).
- Fasten the range hood using the fastening drill holes B (fig.6).
- Connect the flange Y of the range hood to the outside vent using 6" diameter ducting. If the existing air vent is 5" diameter, a reducing coupling can be used.
- Thread the upper chimney E to the inside of the lower chimney F; Insert them vertically onto the range hood body (fig.7).
- Affix the bracket Z (fig.8) to the wall via the drill holes C.
- Slide the upper chimney E towards the top, locking it in with the appropriate screws in the drill holes of the bracket Z previously affixed to the wall (fig.9).

## COMPONENTS (also Fig. 2)





# SCAPPI RANGE HOOD INSTALLATION

Fig.1



Fig.2

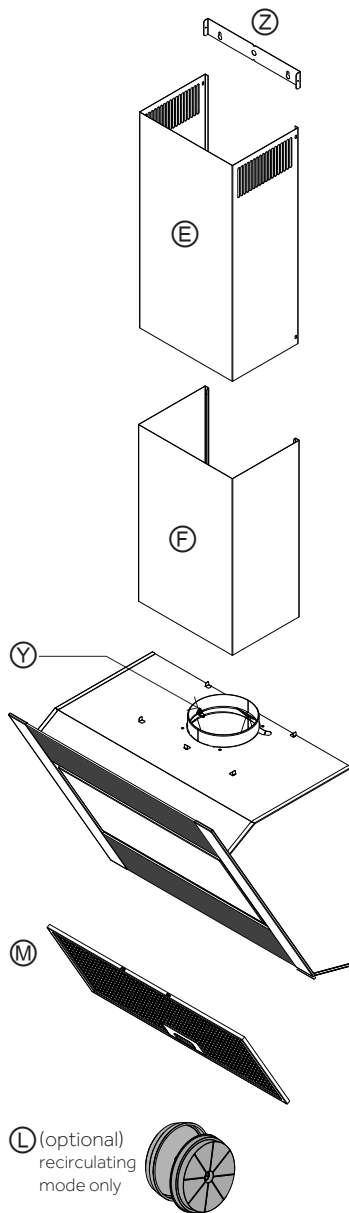


Fig.3

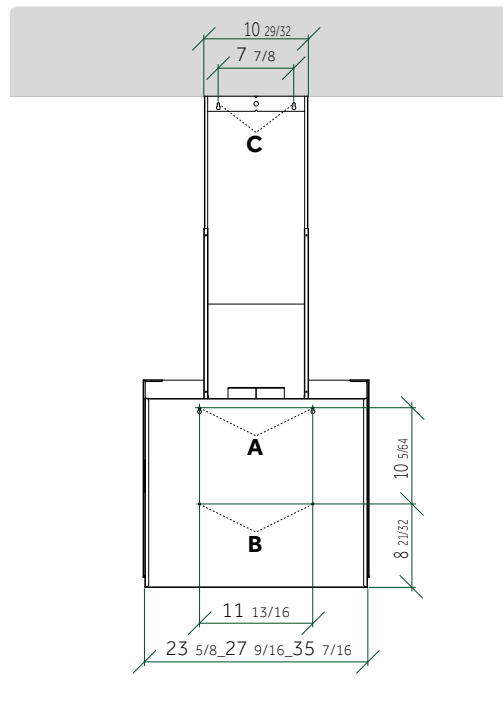
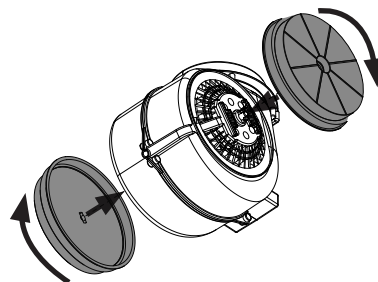
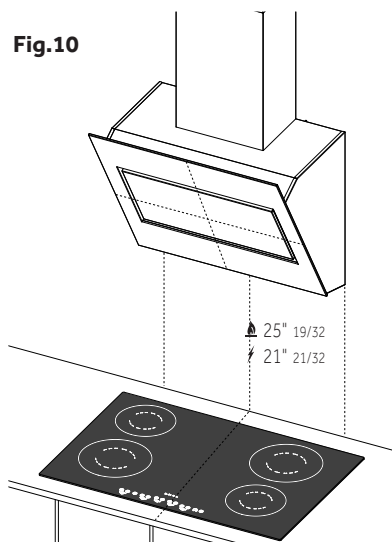
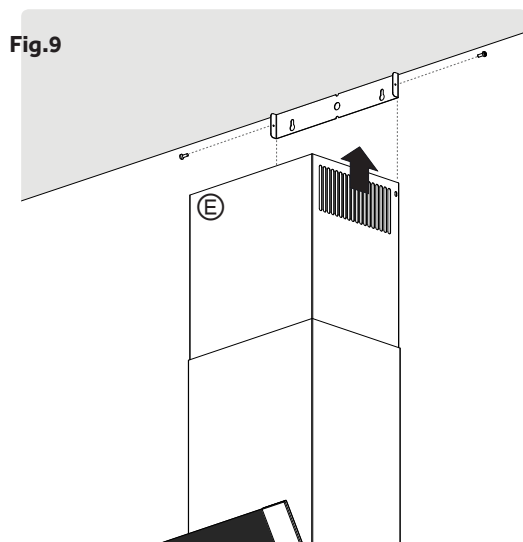
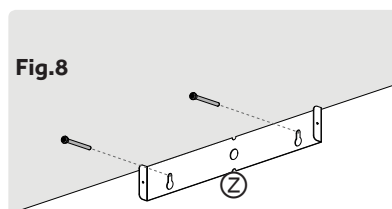
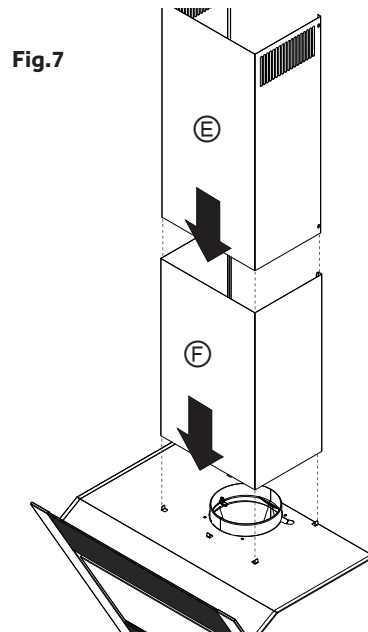
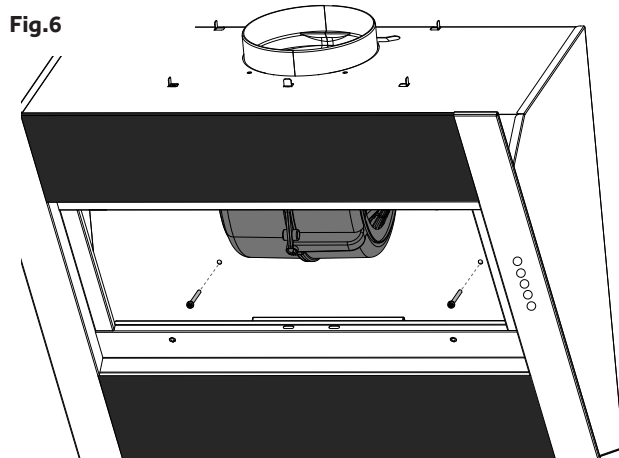
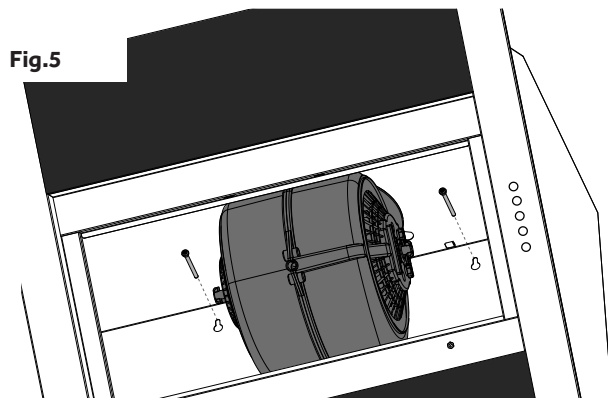


Fig.4





# SCAPPI RANGE HOOD INSTALLATION





# SCAPPI RANGE HOOD INSTALLATION

## OPERATING INSTRUCTIONS



- **Lighting**



- **Minus Key**

Reduces fan speed.



- **Display**



- **Plus Key**

Increases fan speed.



- **Timer**

This button activates the timer which will switch off the fan after 15 minutes for speeds 1, 2, and 3. When the fan speed is set to 4, the timer activates automatically. After 7 minutes of activity, the fan will automatically switch to speed 3.

## CARE AND MAINTENANCE

Clean the hood and panel filters frequently per the following instructions.

### Do's:

- Clean your range hood using a non-abrasive cloth or sponge and a mild liquid dish soap.
- Always wipe in the direction of the grain pattern.
- After cleaning, rinse with warm water.
- Make sure range hood is wiped dry after cleaning to avoid water marks.

### Don'ts:

- Do not use steel wool or scouring pads, which will scratch and leave iron residue that could lead to rusting and corrosion.
- Do not wipe against the grain pattern as this could impact the original finish.
- Do not use chlorine bleach.

### Grease/Baffle Filter:

- Remove the filter by pulling the spring release handle and then pulling down the filter.
- Wash filters as needed in dishwasher or hot detergent solution (low temperature, short cycle).
- If your model contains a grease tray, remove, drain, and clean periodically.
- Make sure filters are completely dry before putting back into the range hood.
- Reinstall the filter by making sure the spring release handles are toward the front. Insert filter into upper track. Push the spring release handle. Push up on filter and release handle to latch into place.