



INSTALLATION INSTRUCTIONS

Components List:

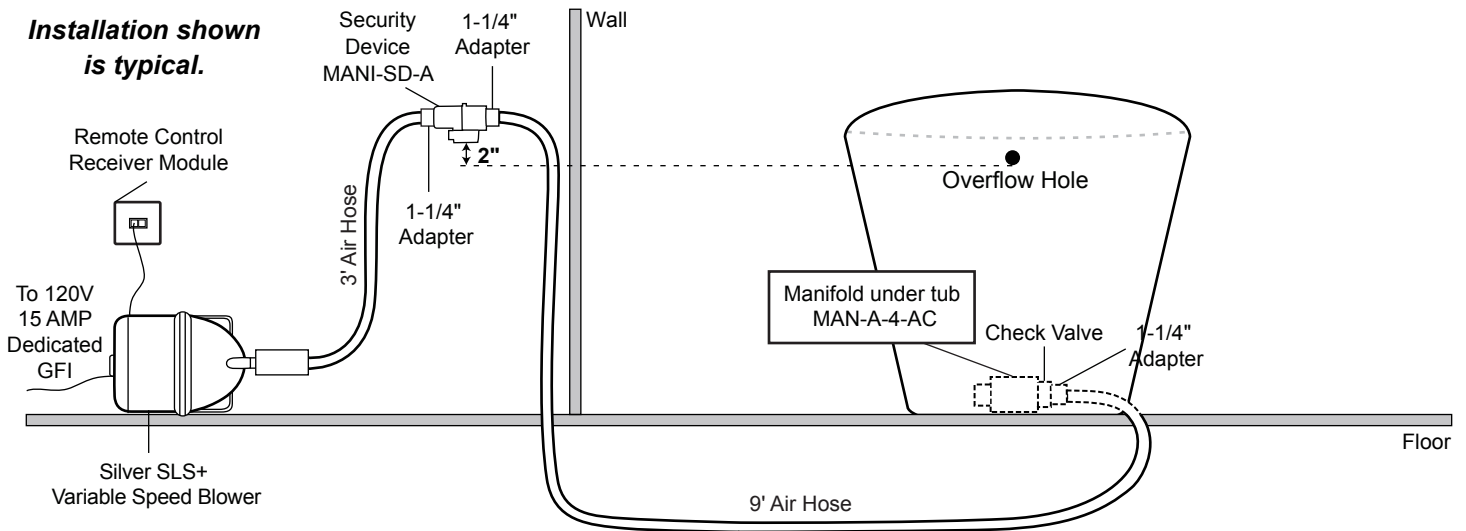
- BM-TWP Ball Check Valve Jets
- MANI-SD-A Security Device
- MAN-A-4-AC Manifold
- Silver SLS+ Variable Speed Blower

Install blower behind a wall (with an access panel) or in a closet. Blower can also be installed under floor. Ensure the Security device, MANI-SD-A, is at least 2" above the bottom of overflow hole. Security device and hose can be mounted in wall.

Saunders

Black Acrylic Freestanding Air Tub With Overflow

Installation shown is typical.



INSIDE OF BATH TUB

Features:

- (12) Maxi Air Jets with 24 openings

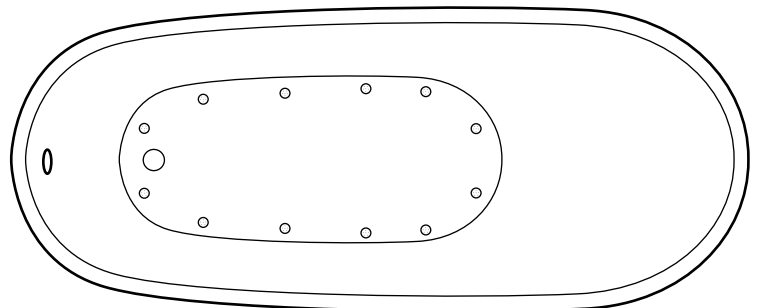


Elbows for air jets Tees for air jets

- Remote Control CG+/RTC-SENSOR-WP



12-15 year battery life





INSTALLATION INSTRUCTIONS

Components List:

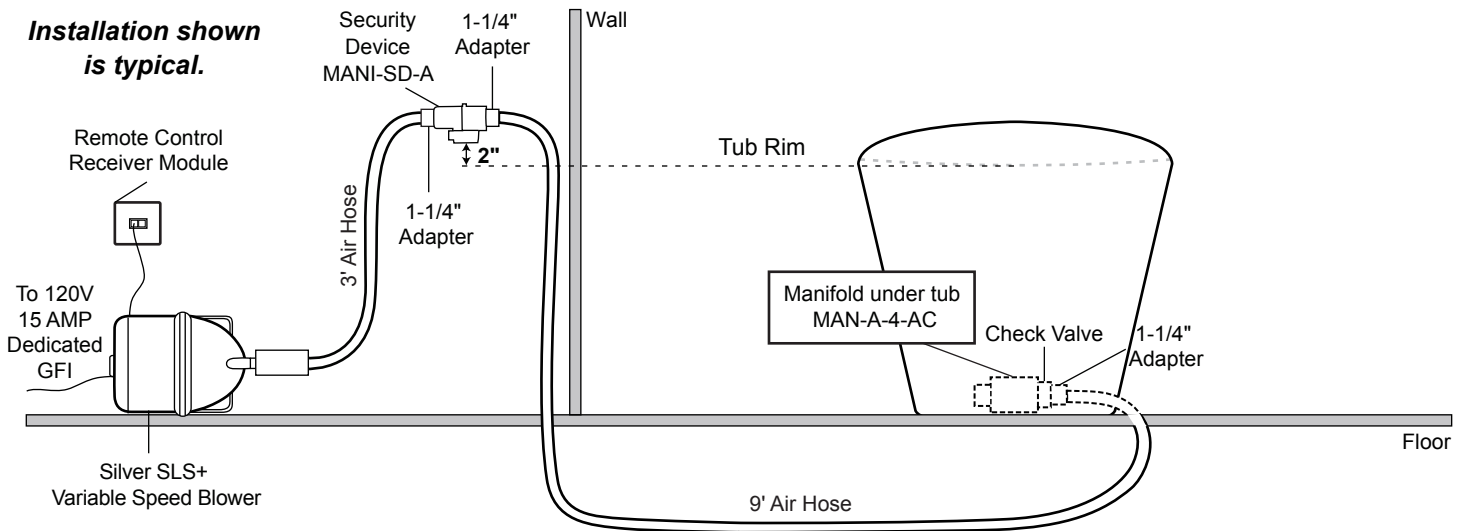
- BM-TWP Ball Check Valve Jets
- MANI-SD-A Security Device
- MAN-A-4-AC Manifold
- Silver SLS+ Variable Speed Blower

Install blower behind a wall (with an access panel) or in a closet. Blower can also be installed under floor. Ensure the Security device, MANI-SD-A, is at least 2" above the tub rim. Security device and hose can be mounted in wall.

Saunders

Black Acrylic Freestanding Air Tub Without Overflow

Installation shown is typical.



INSIDE OF BATH TUB

Features:

- (12) Maxi Air Jets with 24 openings

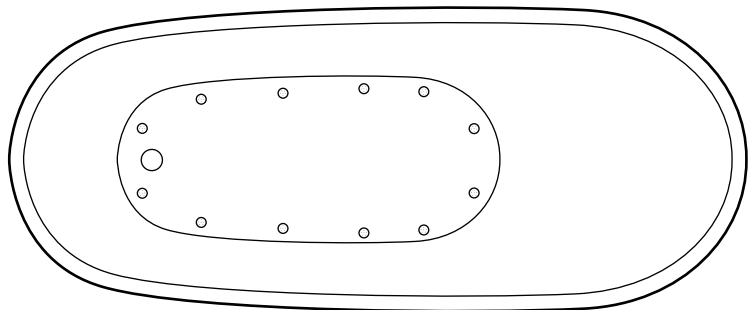


Elbows for air jets Tees for air jets

- Remote Control CG+/RTC-SENSOR-WP



12-15 year battery life





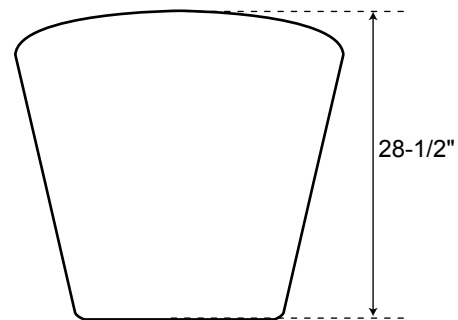
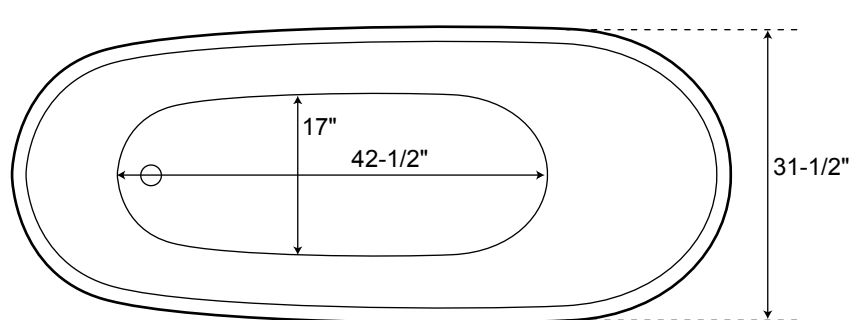
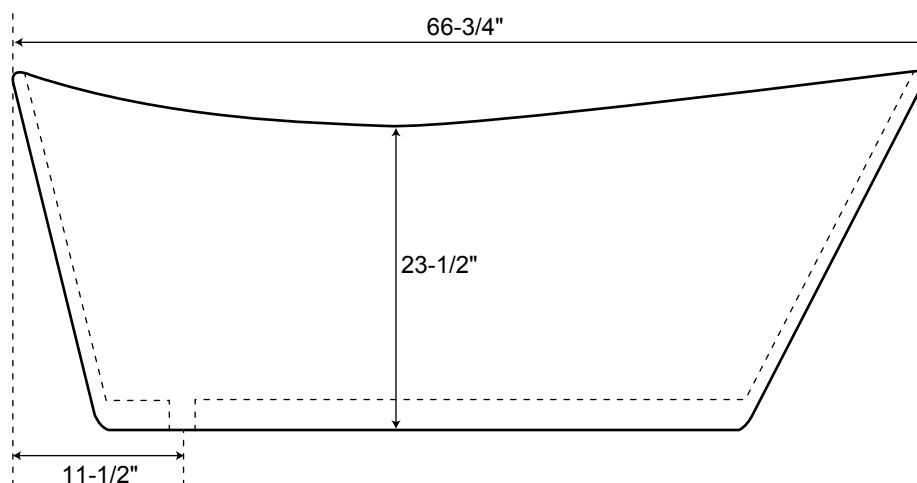
SPECIFICATIONS

Overall Dimensions	66-3/4" L x 31-1/2" W (front to back) x 28-1/2" H
Water Capacity	
without overflow	57 gallons
with overflow	44 gallons
Water Depth	
to top of tub	18" H
to overflow	14" H
Tub Weight Uncrated	120 lbs.
Tub Footprint	47" L x 20-5/8" W (front to back)
Faucet Configurations	No Drillings

67" Saunders

Black Acrylic
Freestanding Air Tub

All measurements are approximate. Measurements may vary +/- 1/2".





SPECIFICATIONS

Overall Dimensions	71-1/8" L x 31-1/4" W (front to back) x 28-1/2" H
Water Capacity	
without overflow	60 gallons
with overflow	47 gallons
Water Depth	
to top of tub	17-7/8" H
to overflow	13-7/8" H
Tub Weight Uncrated	133 lbs.
Tub Footprint	51" L x 20" W (front to back)
Faucet Configurations	No Drillings

71" Saunders

Black Acrylic
Freestanding Air Tub

All measurements are approximate. Measurements may vary +/- 1/2".

