



# POST-MOUNT MAILBOX INSTALLATION

## BEFORE YOU BEGIN

We recommend consulting a professional if you are unfamiliar with installing this type of hardware. Signature Hardware accepts no liability for any damage to your mailbox, or personal injury, during installation.

Observe all local building codes.

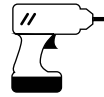
Unpack and inspect the item for shipping damage. If any damage is found, contact our Customer Relations team at 1-866-855-2284.

---

## GETTING STARTED

- Ensure that you have gathered all of the required materials that are needed for the installation.
- Roadside mailboxes should be positioned so that the mail carrier can safely reach inside without leaving their vehicle. Typically, this means positioning the mailbox 41" to 45" off the ground and 6" to 8" from the curb.
- For the following installation instructions, it is assumed that a mailbox post is already installed and did not come with a mounting bracket.

## TOOLS AND MATERIALS:



Drill\*



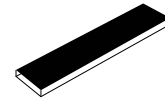
Screwdriver\*



Tape Measure\*



Wood Screws\*



1" thick  
Wood Plank\*

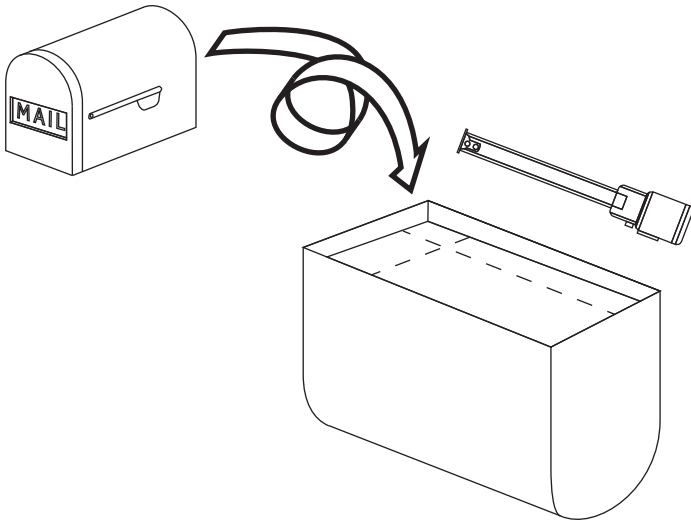
\*not included



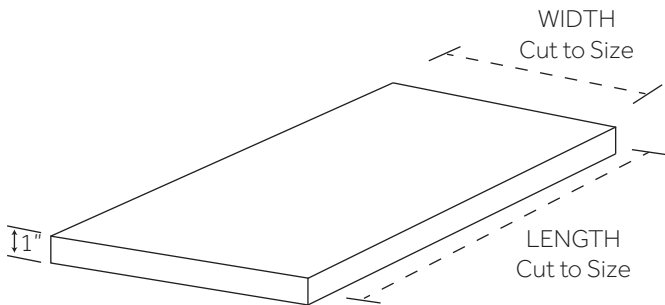
# POST-MOUNT MAILBOX INSTALLATION

## INSTALLATION

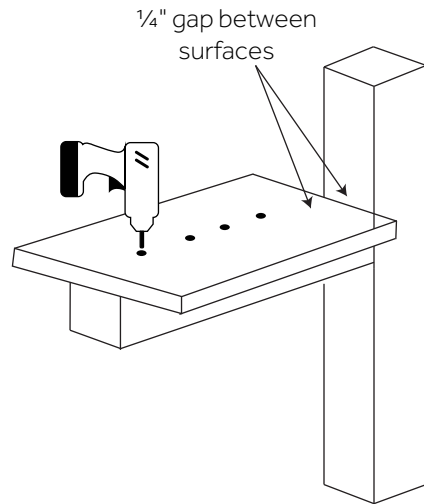
1. Turn your mailbox over, and measure the length and width of the inside void.



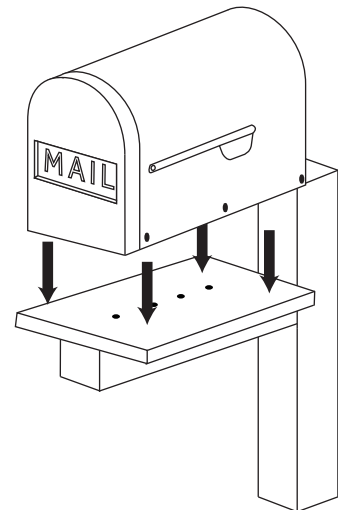
2. Cut your 1" thick wood plank to the size of the void. This wooden plank will be used as a mounting board to fasten your mailbox to your post, so ensure that it fits into the underside void before moving on.



3. Center the mounting board on the post and fasten it to the post using wood screws. Leave a small 1/4" gap behind the board to allow space for the back of the mailbox.



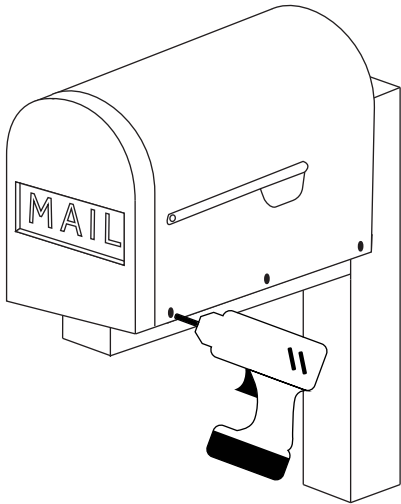
4. Fit the mailbox onto the mounting board and ensure that it is centered. Open the door of the mailbox to check for any interference. In some instances, it may be necessary to trim the front of the mounting board to allow the door to fully open.





## POST-MOUNT MAILBOX INSTALLATION

5. Once the mailbox is properly aligned on the mounting board, fasten the mailbox to the board by drilling wood screws through the mounting holes located on the sides of the mailbox.



**Note:**

If mounting to a metal post, use the mounting bracket that is included with the post. If your metal post did not come with a bracket, follow the steps above as the installation will be the same.

