

PARK HARBOR™

West Rock

Exterior Lantern

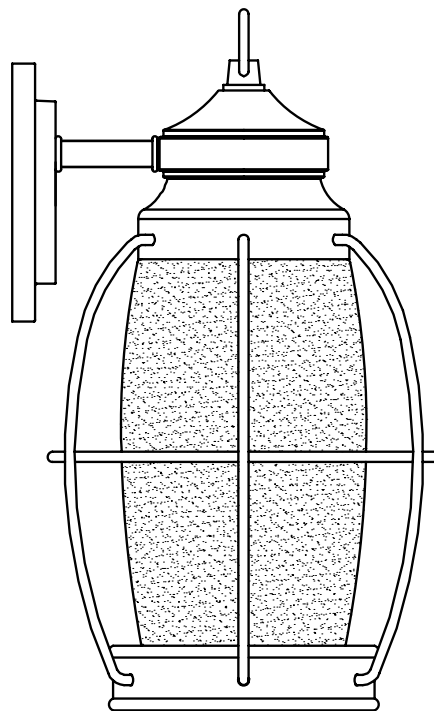
PHEL2900CHBR

PHEL2901CHBR

PHEL2902CHBR

PHEL2903CHBR

PHEL2904CHBR

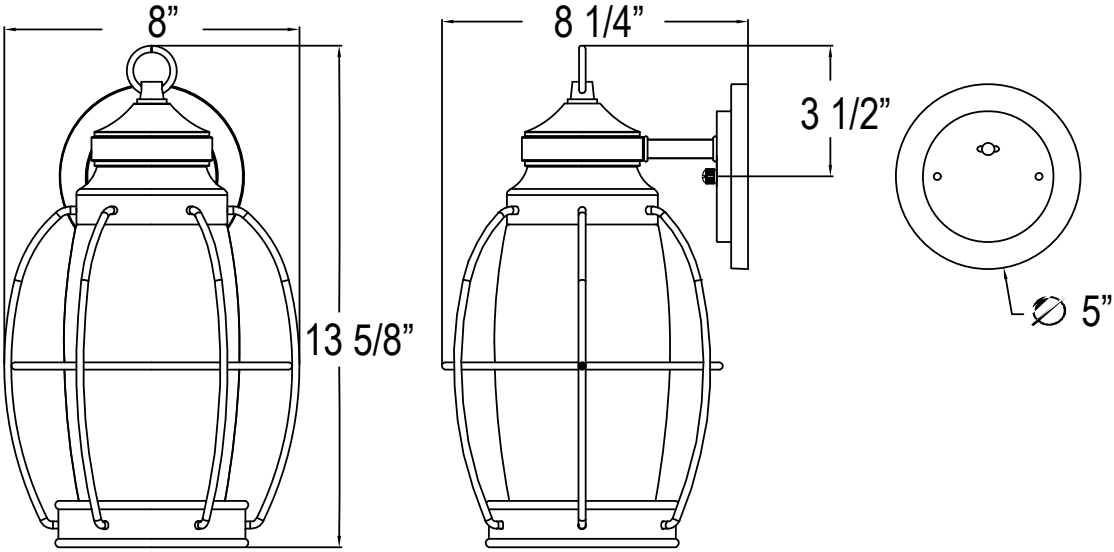


- . Exterior Lanterns in Chocolate Bronze
- . No special tools needed for assembly
- . Wattage: Uses one 100W medium base lamp max

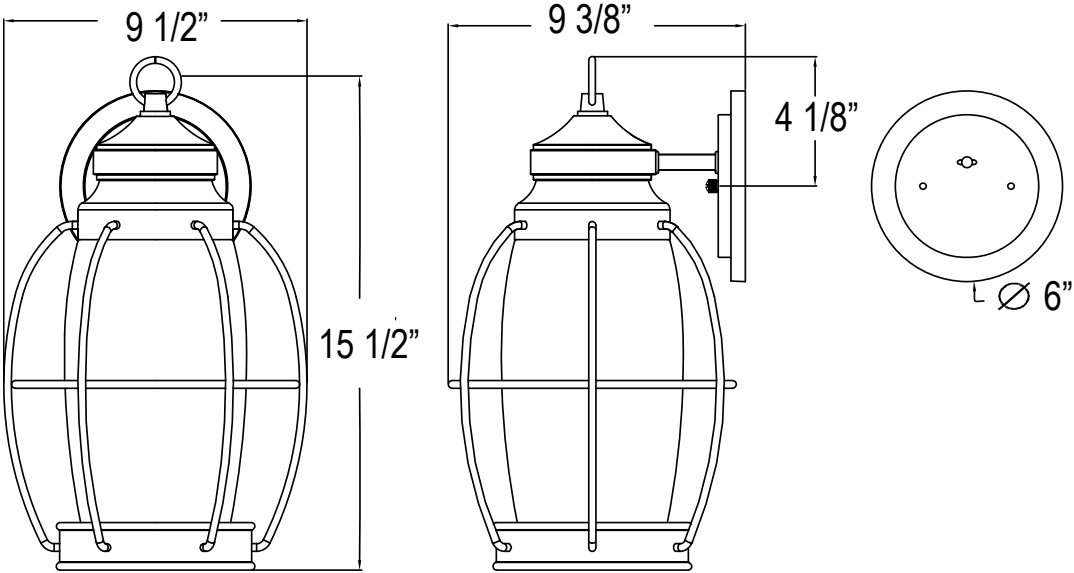
See dimensional drawing on back.

© 2015 Ferguson Enterprises, Inc. 00000 MO/YR

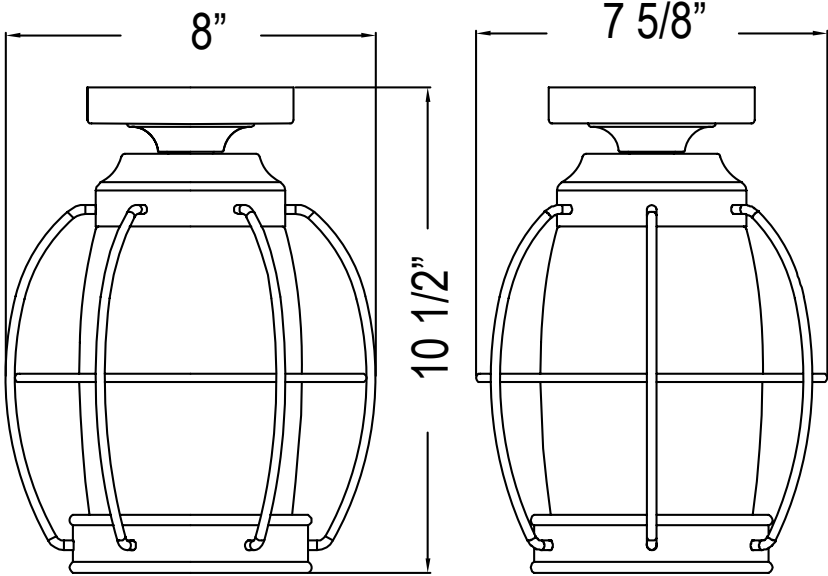
PARKHARBORLIGHTING.COM



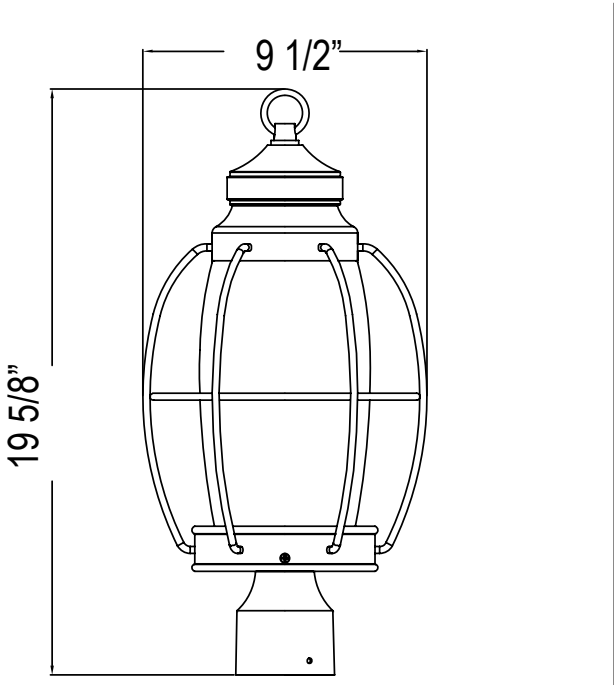
PHEL2900CHBR



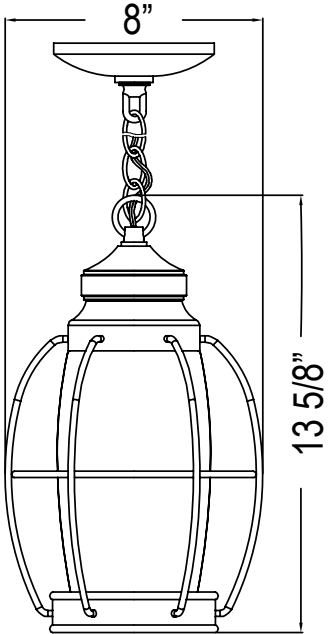
PHEL2902CHBR



PHEL2904CHBR



PHEL2903CHBR



PHEL2901CHBR