

PARK HARBOR™

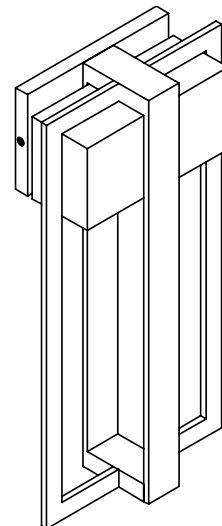
Shockoe

Exterior Lantern

PHEL2200SLAT/CHBR

PHEL2201SLAT/CHBR

PHEL2202SLAT/CHBR

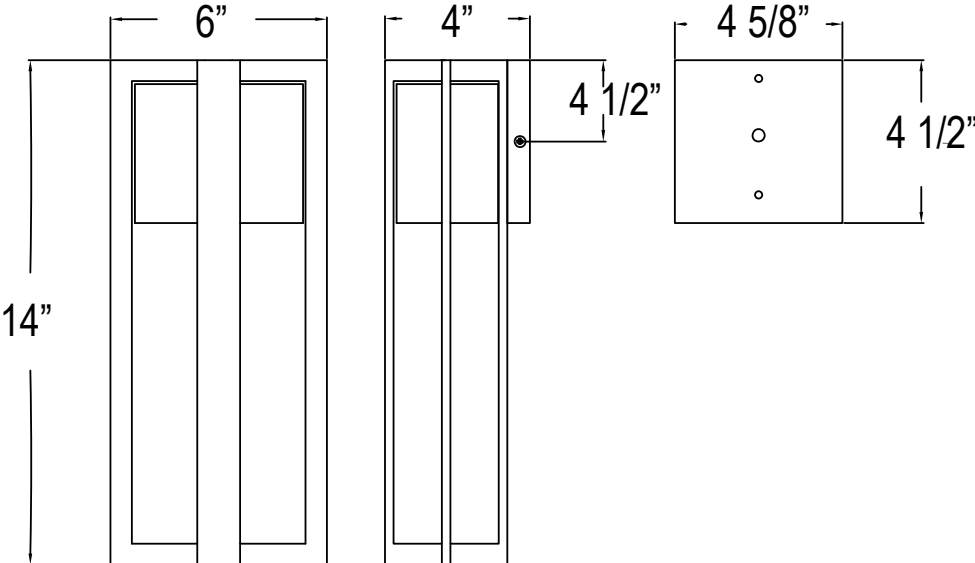


- Exterior Lanterns in Slate or Chocolate Bronze
- No special tools needed for assembly
- Dimmable: NO
- LED Color Temperature: 3500K
- Wattage:
 - PHEL2200SLAT/CHBR: Uses Integrated 9W LED
 - PHEL2201SLAT/CHBR: Uses Integrated 12W LED
 - PHEL2202SLAT/CHBR: Uses Integrated 12W LED

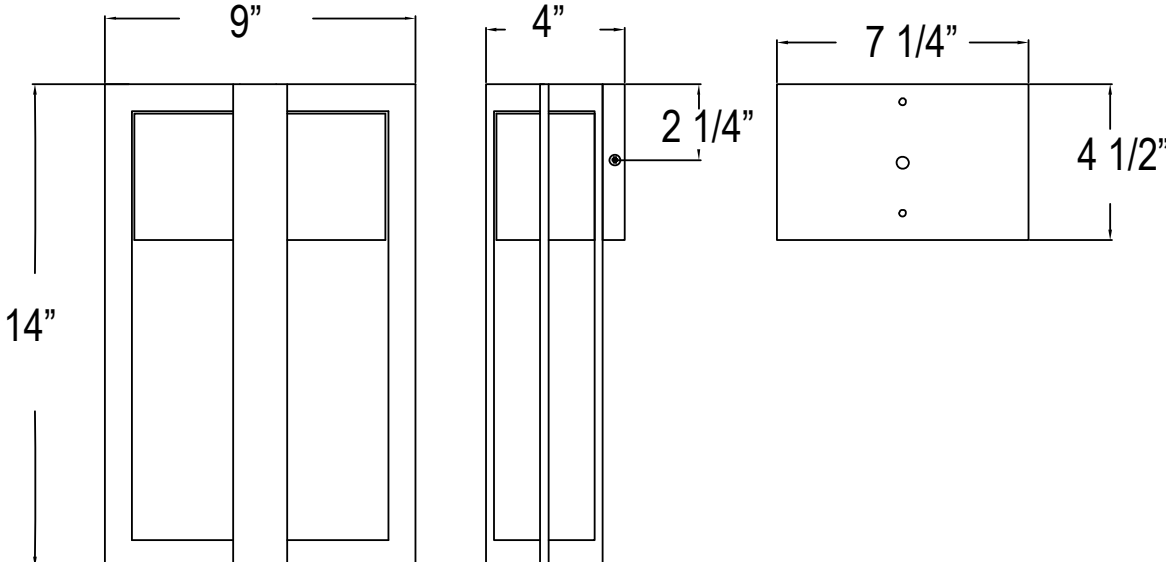
See dimensional drawing on back.

© 2016 Ferguson Enterprises, Inc. 11/16

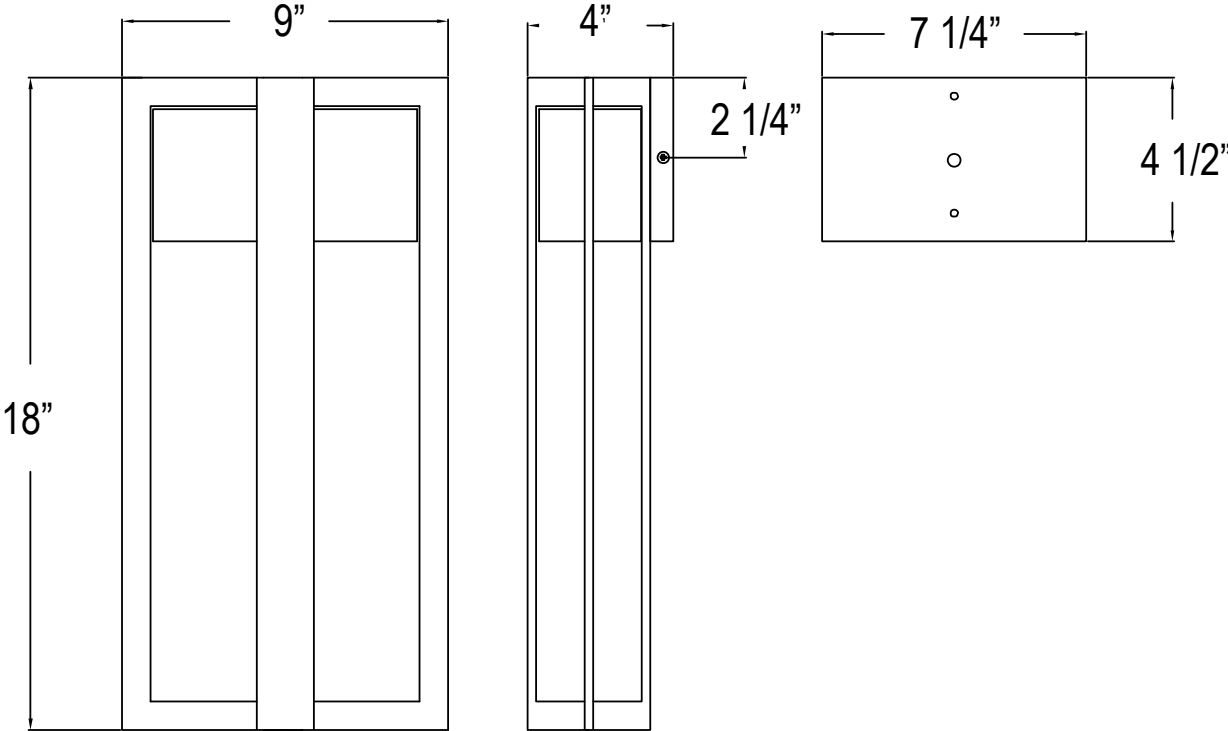
PARKHARBORLIGHTING.COM



PHEL2200SLAT/CHBR



PHEL2201SLAT/CHBR



PHEL2202SLAT/CHBR