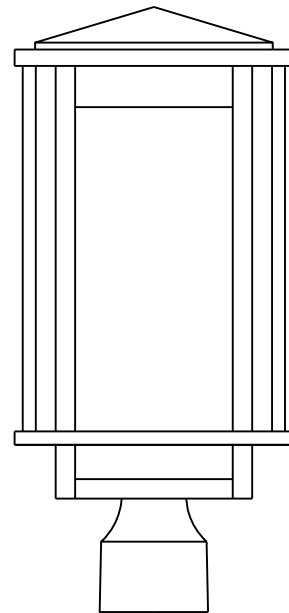


# PARK HARBOR™

## Beech Lane Exterior Lanterns

PHEL1700BROW  
PHEL1701BROW  
PHEL1702BROW  
PHEL1703BROW  
PHEL1704BROW

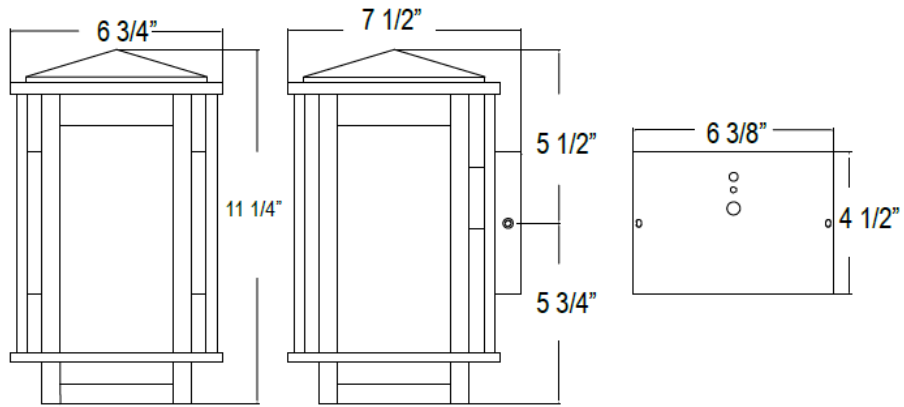


- Exterior Lanterns in Brownstone
- No special tools needed for assembly
- Wattage:
  - PHEL1700BROW: Uses one 60W Medium base lamp max
  - PHEL1701BROW: Uses one 60W Medium base lamp max
  - PHEL1702BROW: Uses one 100W Medium base lamp max
  - PHEL1703BROW: Uses one 100W Medium base lamp max
  - PHEL1704BROW: Uses one 100W Medium base lamp max

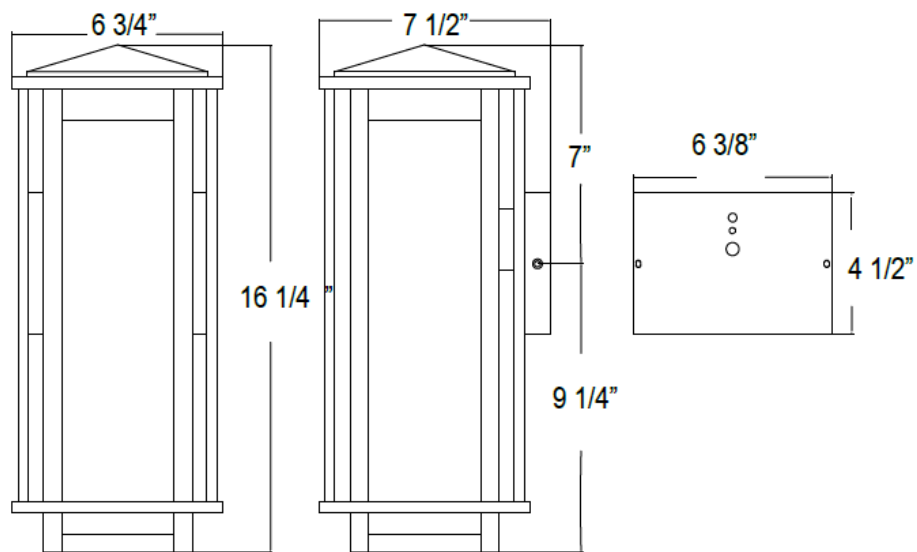
See dimensional drawing on back.

© 2017 Ferguson Enterprises, Inc. 00000 12/17

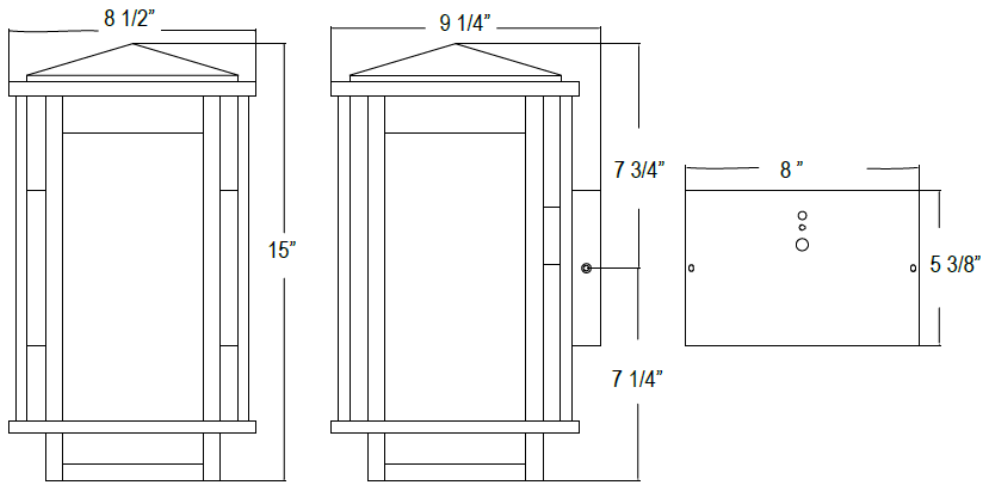
[PARKHARBORLIGHTING.COM](http://PARKHARBORLIGHTING.COM)



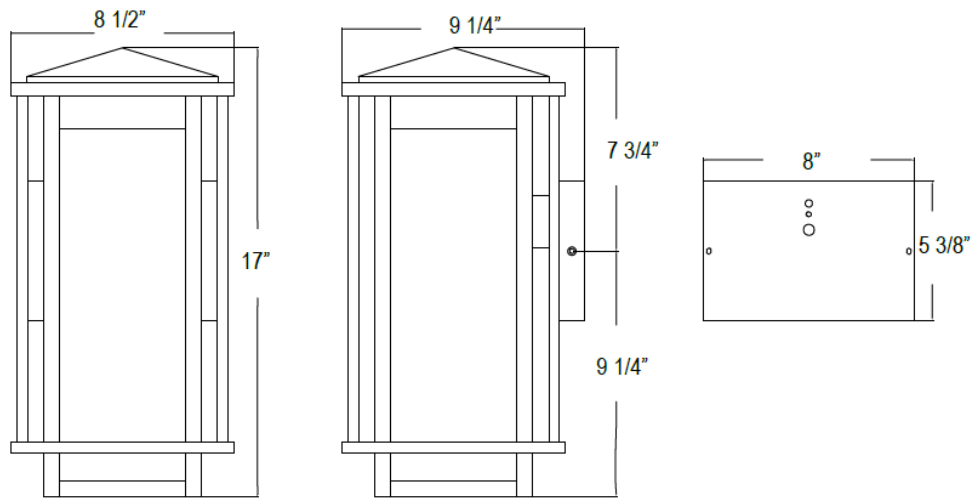
## PHEL1700BROW



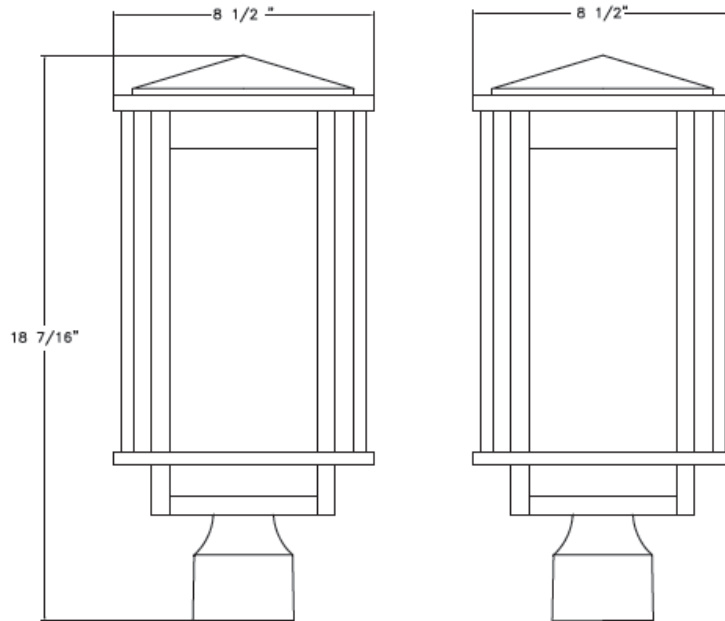
## PHEL1701BROW



**PHEL1702BROW**



**PHEL1703BROW**



# PHEL1704BROW

