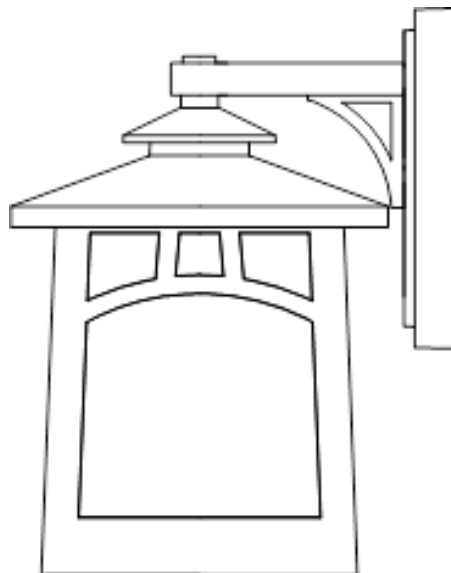


PARK HARBOR™

Carytown

Exterior Lantern



PHEL1100BLK

PHEL1101BLK

PHEL1102BLK

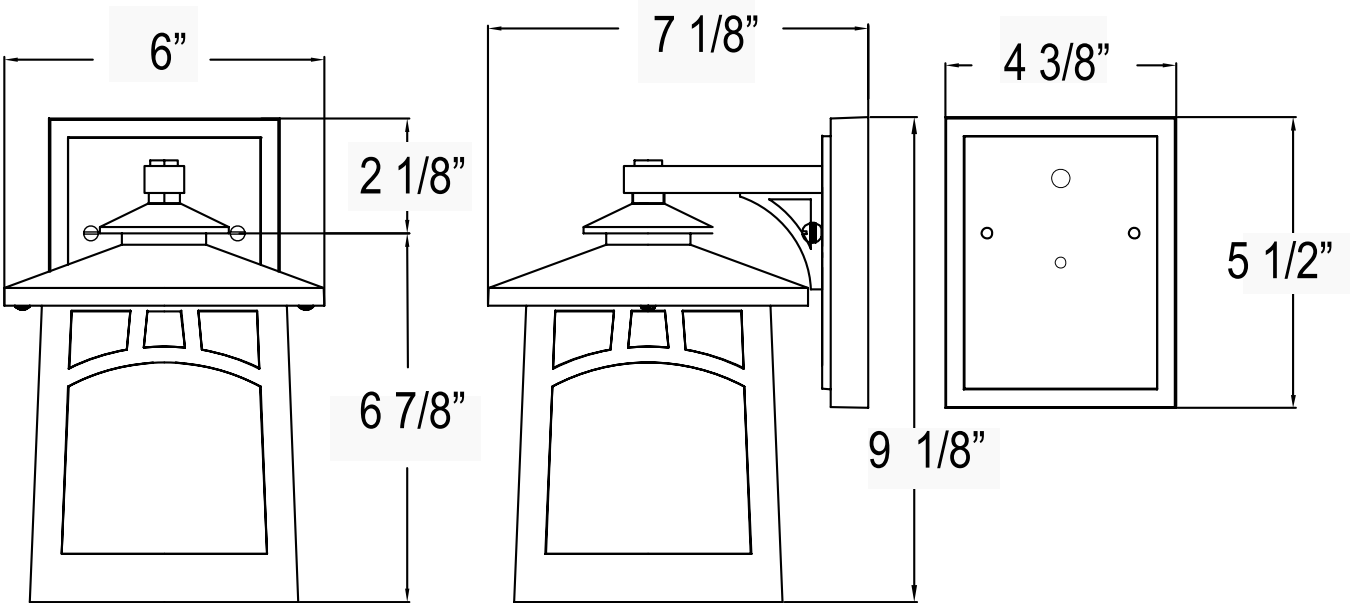
PHEL1103BLK

- . Exterior Lanterns in Black
- . No special tools needed for assembly
- . Wattage: Uses one 100W medium base lamp max

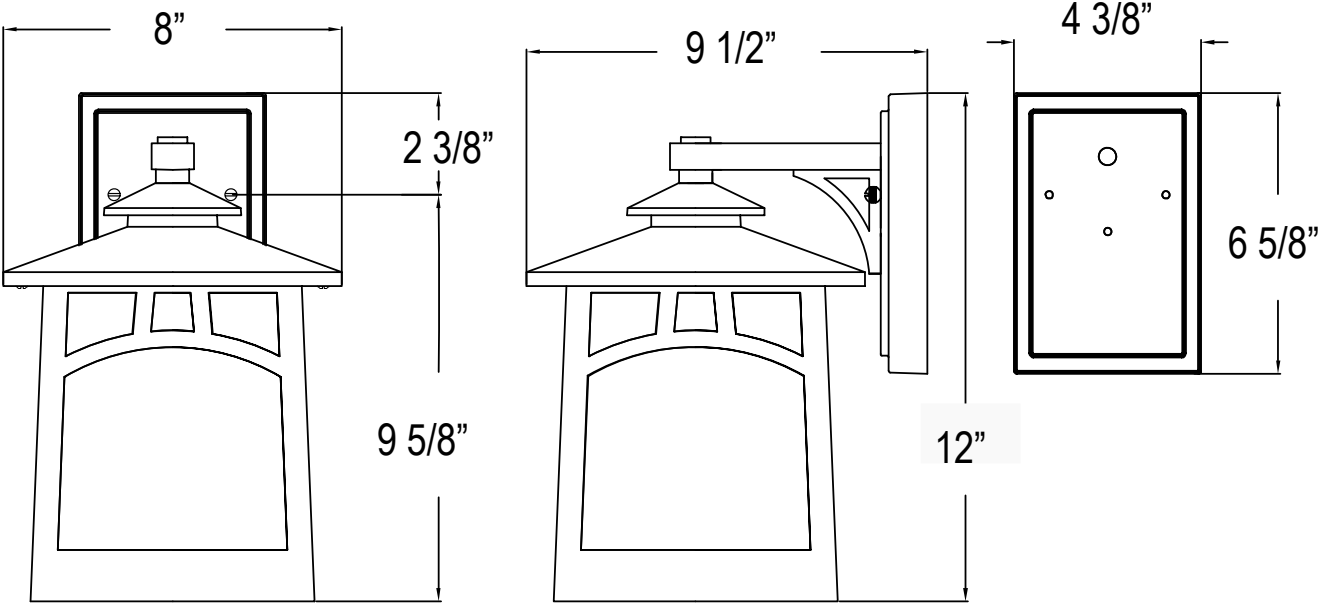
See dimensional drawing on back.

© 2015 Ferguson Enterprises, Inc. 00000 MO/YR

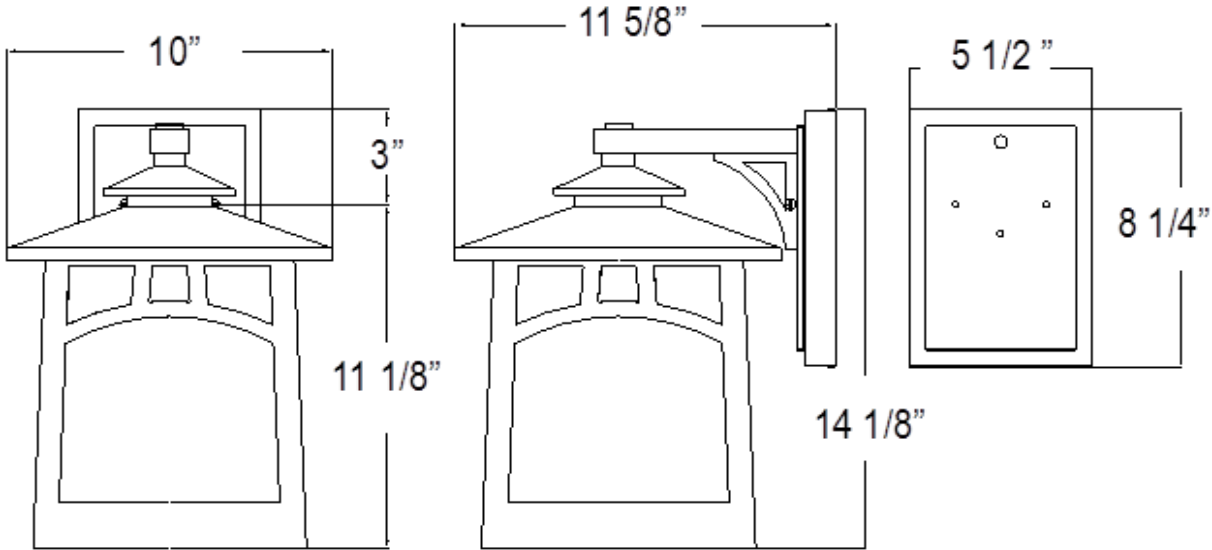
PARKHARBORLIGHTING.COM



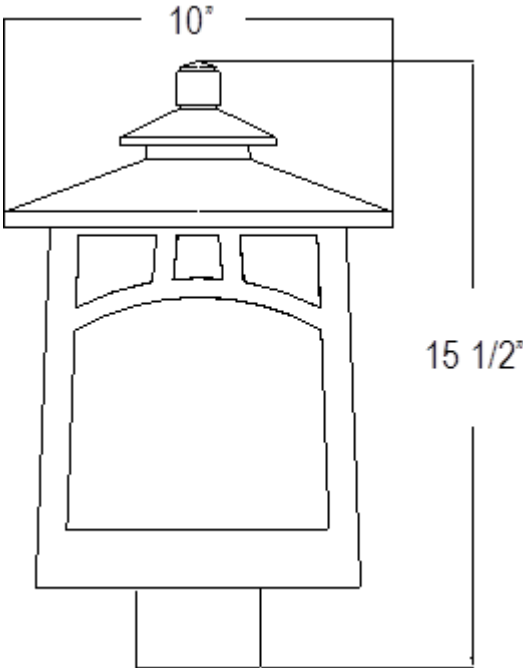
PHEL1100BLK



PHEL1101BLK



PHEL1102BLK



PHEL1103BLK