



# INSTALLATION INSTRUCTIONS

## Components List:

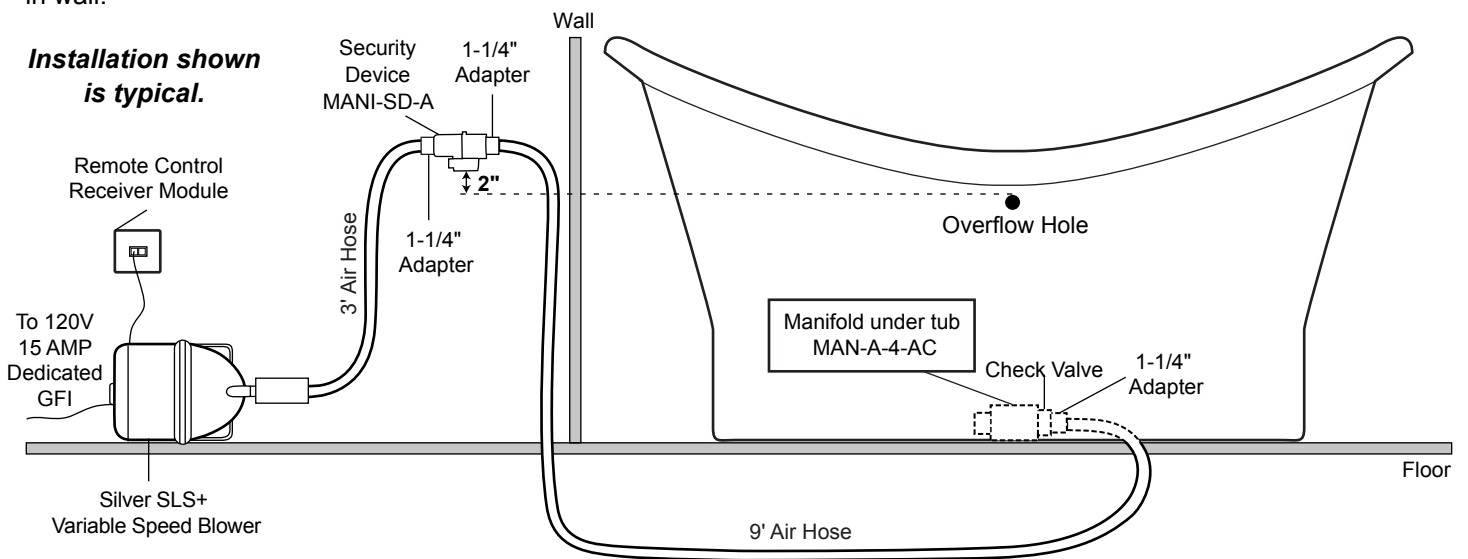
- BM-TWP Ball Check Valve Jets
- MANI-SD-A Security Device
- MAN-A-4-AC Manifold
- Silver SLS+ Variable Speed Blower

Install blower behind a wall (with an access panel) or in a closet. Blower can also be installed under floor. Ensure the Security device, MANI-SD-A, is at least 2" above the bottom of overflow hole. Security device and hose can be mounted in wall.

# Paige

## Copper Double-Slipper Air Tub Nickel Interior - With Overflow

### Installation shown is typical.



### INSIDE OF BATH TUB

## Features:

- (12) Maxi Air Jets with 24 openings

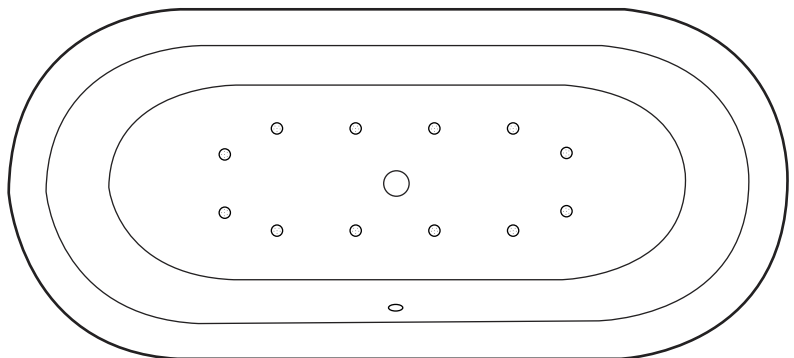


Elbows for air jets    Tees for air jets

- Remote Control CG+/RTC-SENSOR-WP



12-15 year battery life





# INSTALLATION INSTRUCTIONS

## Components List:

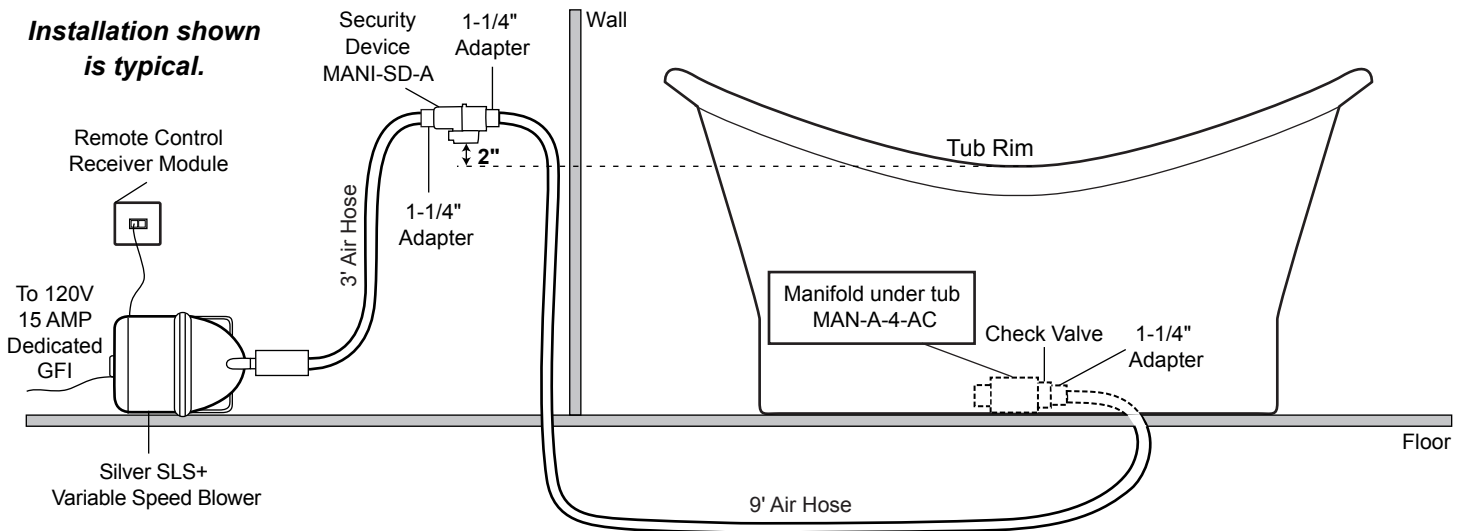
- BM-TWP Ball Check Valve Jets
- MANI-SD-A Security Device
- MAN-A-4-AC Manifold
- Silver SLS+ Variable Speed Blower

Install blower behind a wall (with an access panel) or in a closet. Blower can also be installed under floor. Ensure the Security device, MANI-SD-A, is at least 2" above the tub rim. Security device and hose can be mounted in wall.

# Paige

## Copper Double-Slipper Air Tub Nickel Interior - Without Overflow

**Installation shown  
is typical.**



### INSIDE OF BATH TUB

## Features:

- (12) Maxi Air Jets with 24 openings

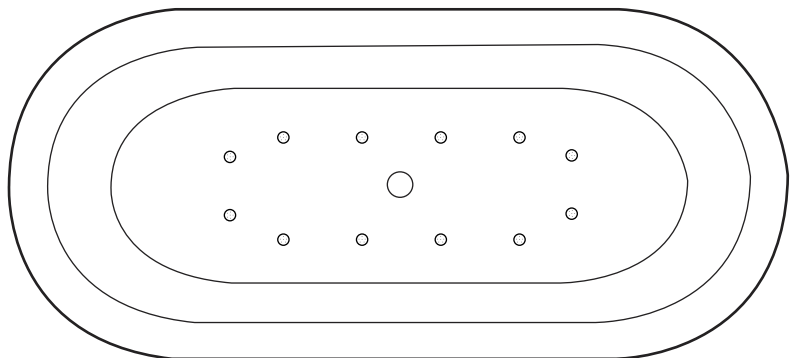


Elbows for air jets    Tees for air jets

- Remote Control CG+/RTC-SENSOR-WP



12-15 year battery life





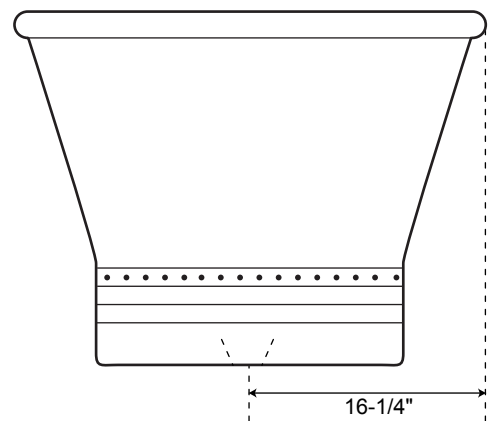
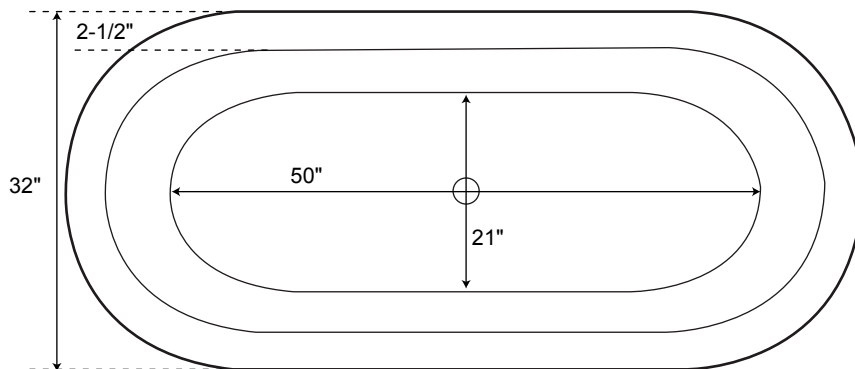
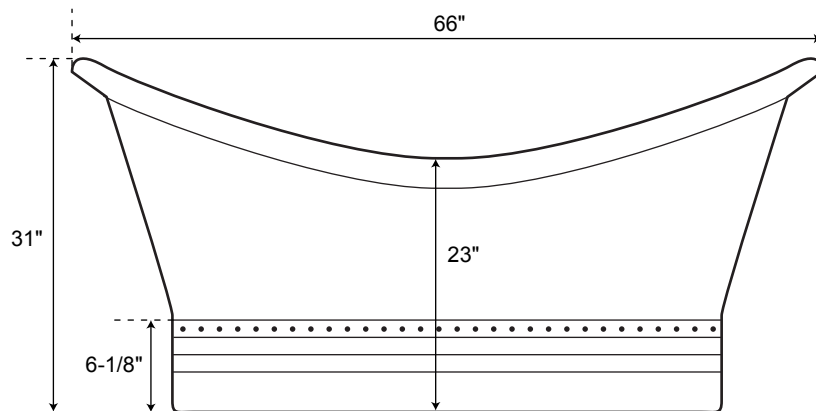
# SPECIFICATIONS

<b>Dimensions</b>	66" L x 32" W (front to back) x 31" H
<b>Water Capacity</b>	
<b>without overflow</b>	75 gallons
<b>with overflow</b>	63 gallons
<b>Water Depth</b>	
<b>to top of tub</b>	16-3/4" H
<b>to overflow</b>	14-1/4" H
<b>Tub Weight Uncrated</b>	170 lbs.
<b>Tub Rim</b>	2-1/2" wide
<b>Faucet Configurations</b>	no faucet drillings

## 66" Paige

Copper Double-Slipper Air Tub  
Nickel Interior

*All measurements are approximate. Measurements may vary +/- 1".*





# SPECIFICATIONS

<b>Dimensions</b>	72" L x 32" W (front to back) x 31" H
<b>Water Capacity</b>	
<b>without overflow</b>	80 gallons
<b>with overflow</b>	67 gallons
<b>Water Depth</b>	
<b>to top of tub</b>	16-3/4" H
<b>to overflow</b>	14" H
<b>Tub Weight Uncrated</b>	170 lbs.
<b>Tub Rim</b>	3" wide
<b>Faucet Configurations</b>	no faucet drillings

## 72" Paige

Copper Double-Slipper Air Tub  
Nickel Interior

*All measurements are approximate. Measurements may vary +/- 1".*

