

PAGOSA WIDESPREAD FAUCET INSTALLATION

BEFORE YOU BEGIN

We recommend consulting a professional if you are unfamiliar with installing plumbing fixtures. Signature Hardware accepts no liability for any damage to the faucet, plumbing, sink, counter top, or for personal injury during installation.

Observe all local plumbing and building codes.

Unpack and inspect the faucet for shipping damage. If any damage is found, contact our Customer Relations team at 1-866-855-2284.

GETTING STARTED

- Ensure that you have gathered all the required materials that are needed for the installation.
- For these instructions, it is assumed that the old faucet has been completely removed and any necessary repairs or modifications to the water supply have been completed.

TOOLS AND MATERIALS:



Plumbers
Tape



Thread
Sealant



Phillips
Screwdriver



Adjustable
Wrench



Small
Bucket



Basin
Wrench



Hex Wrench

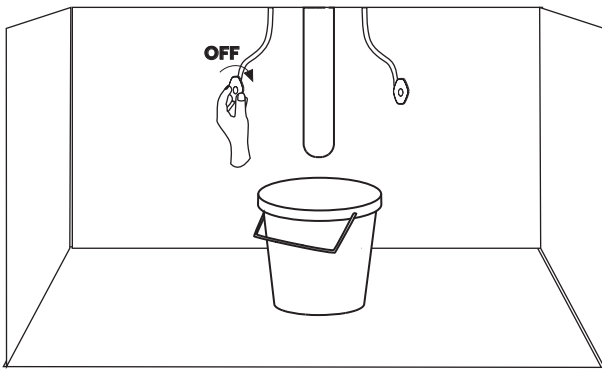


PAGOSA WIDESPREAD FAUCET INSTALLATION

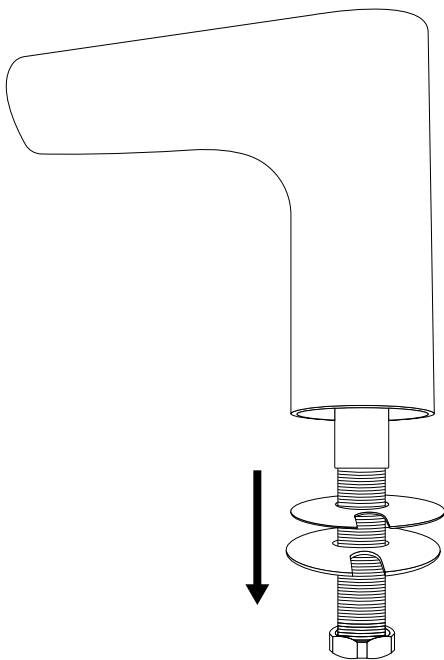
INSTALLATION

1. Ensure that the water supply below your sink is completely shut off by turning the valve all the way to the right.

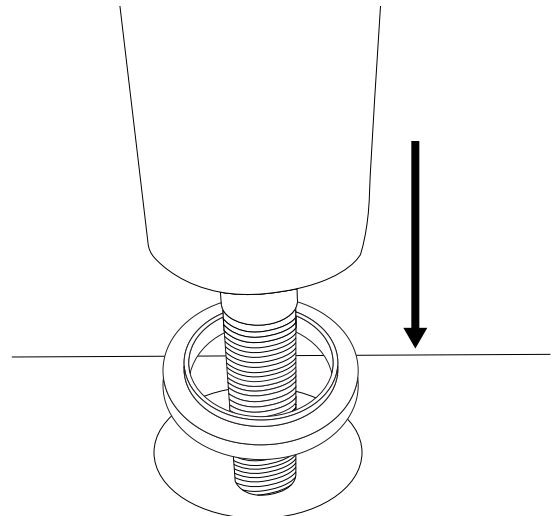
Tip: Place a small bucket below your workspace to catch any water that may drip during the installation process.



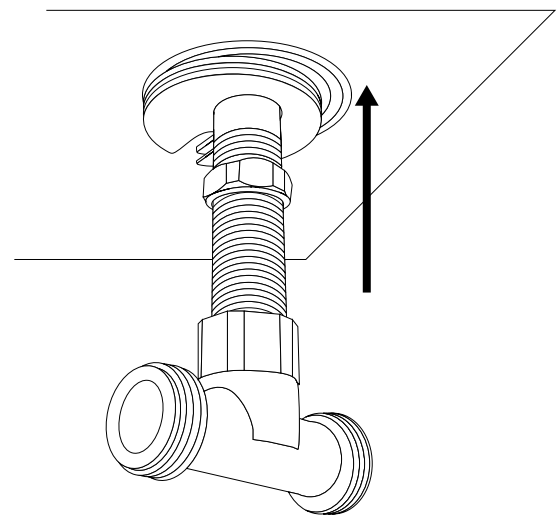
2. Remove the lock nut, metal washer, and rubber washer from the faucet spout.



3. Slide the decorative escutcheon onto the base of the spout. Insert the spout into its prepared mounting hole.



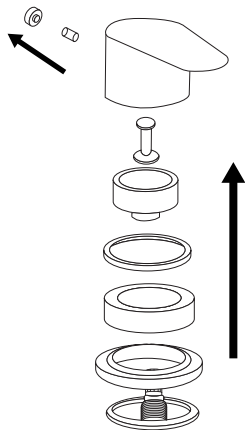
4. From below, slide the rubber washer and metal washer back onto the spout. Hand tighten the lock nut, then finish tightening using an adjustable wrench. Attach the T-connector to the spout. Apply plumber's tape or thread sealant to the threads before tightening.



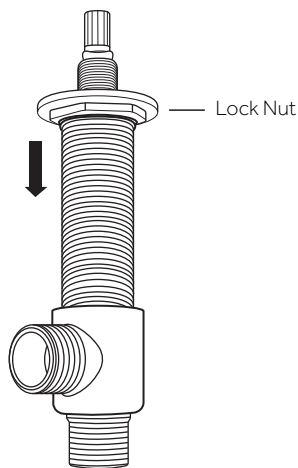


PAGOSA WIDESPREAD FAUCET INSTALLATION

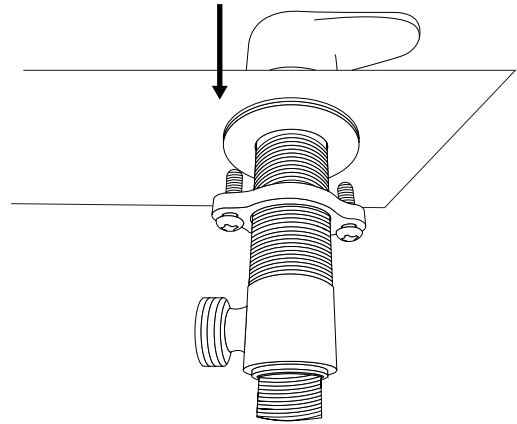
5. The faucet's valve stems are labeled by colored dots – blue for 'cold' and red for 'hot.' On the 'cold' valve stem, remove the handle by loosening the set screw. Then, remove the white spindle by loosening the Phillip's head screw. Remove the gray washer, handle base, and escutcheon from the stem.



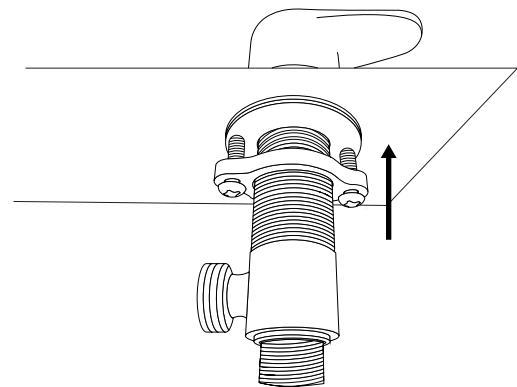
6. Loosen the lock nut to its furthest point at the bottom of the stem. Slide the metal washer and rubber washer to bottom as well.



7. From beneath the counter top, insert the valve stem through the right-side faucet hole. From above the counter top, reattach the escutcheon, handle base, gray washer, spindle, and handle in the reverse order they were removed.



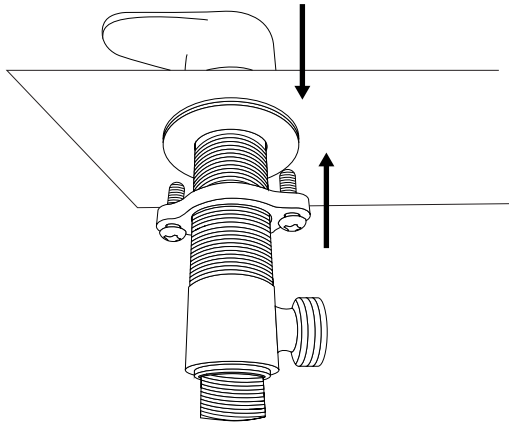
8. From below, hand tighten the lock nut until secure. Finish by tightening the two screws using a Phillip's screwdriver.



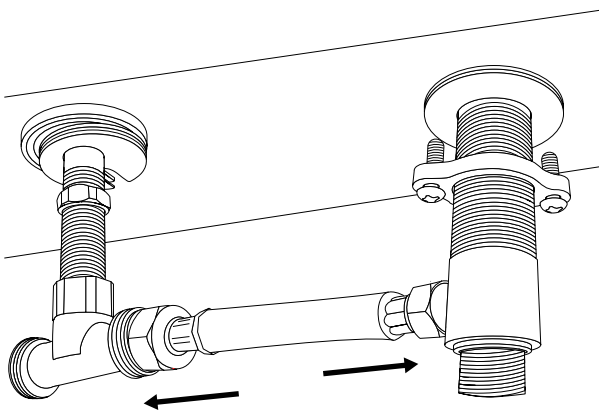


PAGOSA WIDESPREAD FAUCET INSTALLATION

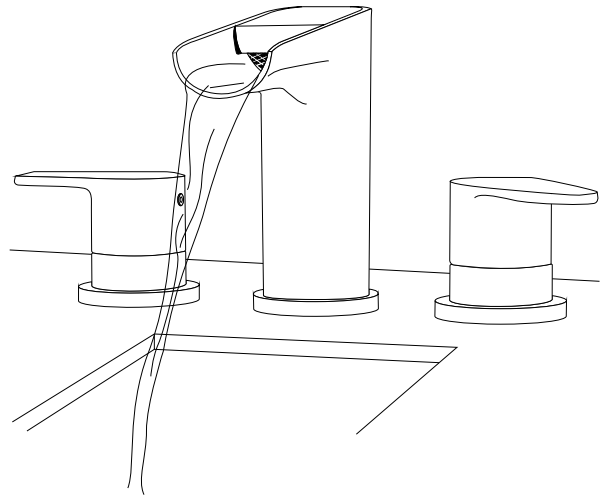
9. Repeat steps 5-8 to install the 'hot' valve stem into the left-side faucet hole.



10. Use the provided braided water lines to connect the hot and cold valve stems to the T-connector. Use an adjustable wrench to tighten, but be careful not to overtighten. Apply thread sealant or plumber's tape to each threaded connection before attaching.



11. Connect the main water supply lines to the valve stems. Apply plumber's tape or thread sealant to the threads before tightening. Proceed to the drain installation. Once complete, turn the faucet on and allow the water to flow for approximately 60 seconds. Ensure that there are no leaks, and that both hot and cold water are running properly.

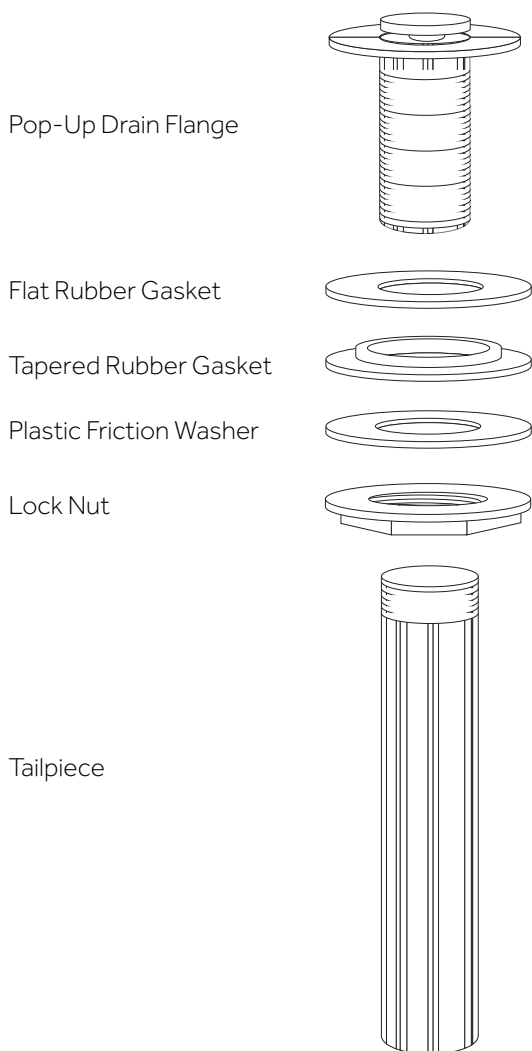




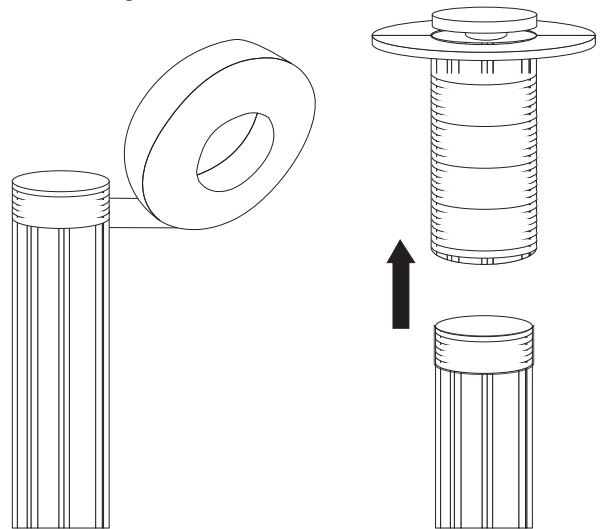
PAGOSA WIDESPREAD FAUCET INSTALLATION

DRAIN INSTALLATION

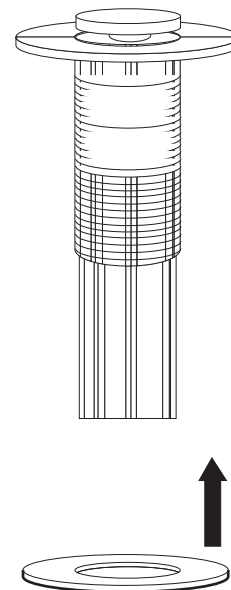
1. Dissassemble the drain assembly and lay the parts aside, in the same order they were removed. See the illustration below as a reference if needed.



2. Apply plumber's tape to the threading on the tailpiece, then reattach the tail piece to the pop-up drain flange.



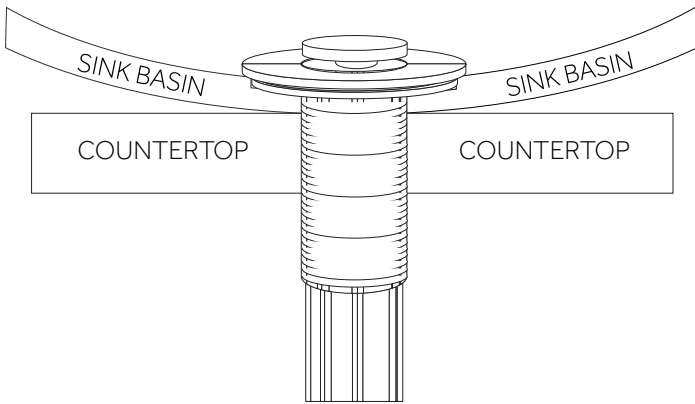
3. Slide the flat rubber gasket up the tailpiece until it meets the lip of the pop-up drain flange.



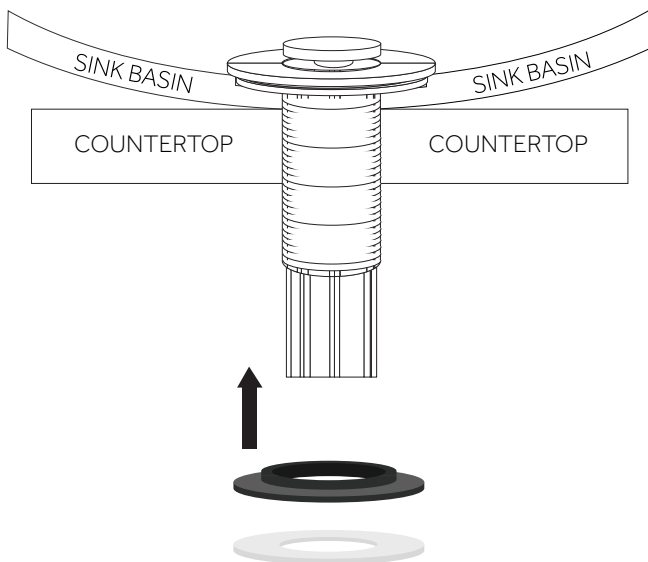


PAGOSA WIDESPREAD FAUCET INSTALLATION

4. Insert the drain flange and tailpiece through the top of your sink's drain hole.



5. From under your counter, slide the tapered rubber gasket followed by the plastic friction washer onto the tailpiece until they meet your sink or countertop. Be sure that the tapered side of the rubber washer is facing up.



6. Thread the lock nut onto the drain flange. Hand tighten until secure, then finish tightening with a basin wrench once the drain is properly aligned.

Important: Be careful not to overtighten, which could crack a porcelain sink or stone countertop.

