



MELTON WIDESPREAD FAUCET INSTALLATION

BEFORE YOU BEGIN

We recommend consulting a professional if you are unfamiliar with installing plumbing fixtures. Signature Hardware accepts no liability for any damage to the faucet, plumbing, sink, counter top, or for personal injury during installation.

Observe all local plumbing and building codes.

Unpack and inspect the faucet for damage. If any damage is found, contact our Customer Relations team at 1-866-855-2284.

GETTING STARTED

- Ensure that you have gathered all the required materials that are needed for the installation.
- For these instructions, it is assumed that the old faucet has been completely removed and any necessary repairs or modifications to the water supply have been completed.

TOOLS AND MATERIALS:



Plumbers
Tape



Thread
Sealant



Phillips
Screwdriver



Adjustable
Wrench



Small
Bucket



Basin
Wrench

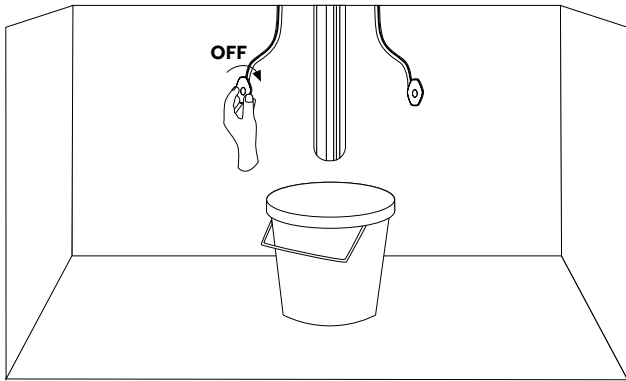


MELTON WIDESPREAD FAUCET INSTALLATION

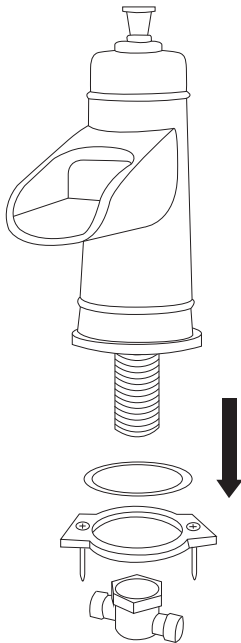
INSTALLATION

1. Ensure that the water supply below your sink is completely shut off by turning the shutoff valves all the way to the right.

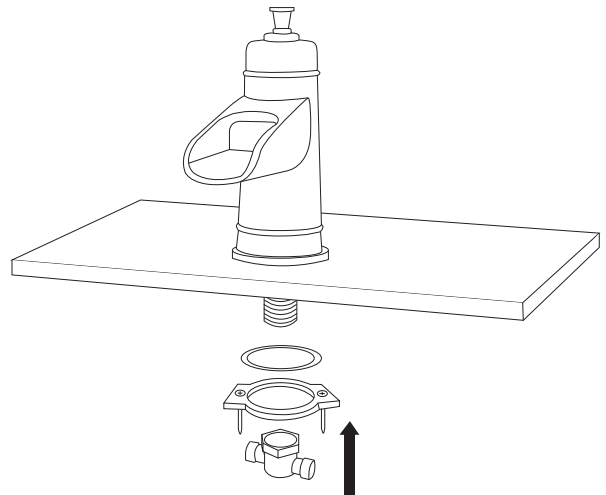
Tip: Place a small bucket below your workspace to catch any water that may drip during the installation process.



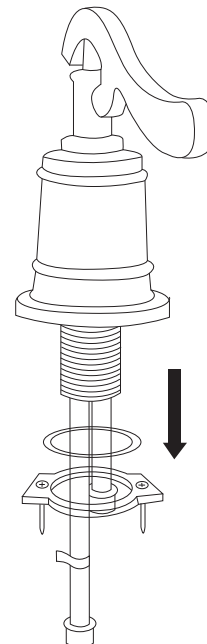
2. Remove the T-connector, lock nut, and rubber washer from the spout's threaded shank. Set the spout into the center mounting hole.



3. From under the counter, slide the rubber washer back onto the spout. Thread the lock nut back on until hand-tight, then finish tightening using a basin wrench. Reattach the T-connector to the end of the shank.



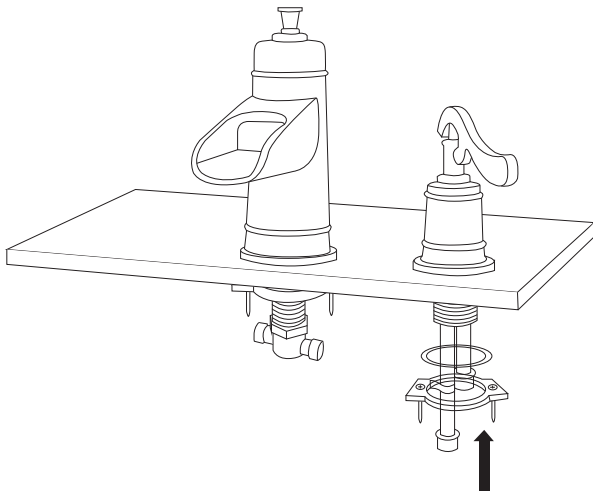
4. Remove the lock nut, metal washer, and rubber washer from the valve stem labeled 'cold.' Insert the valve stem into the faucet hole on the right.



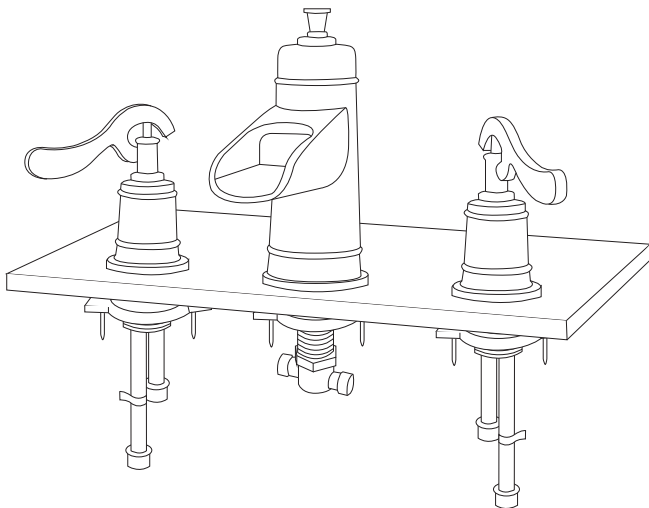


MELTON WIDESPREAD FAUCET INSTALLATION

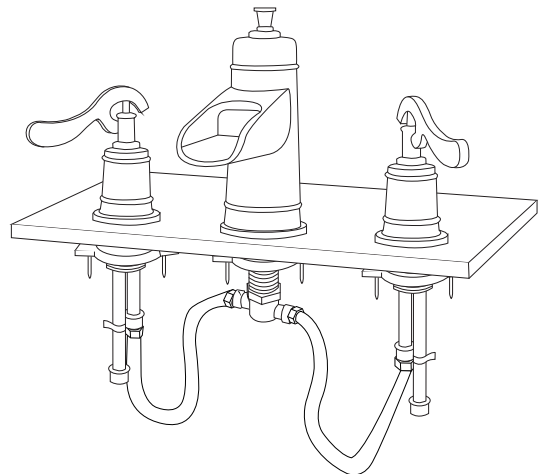
5. From under the counter, slide the rubber washer back onto the valve followed by the metal washer. Secure by hand-tightening the lock nut. Finish by tightening the two screws on the lock nut using a Phillip's screwdriver.



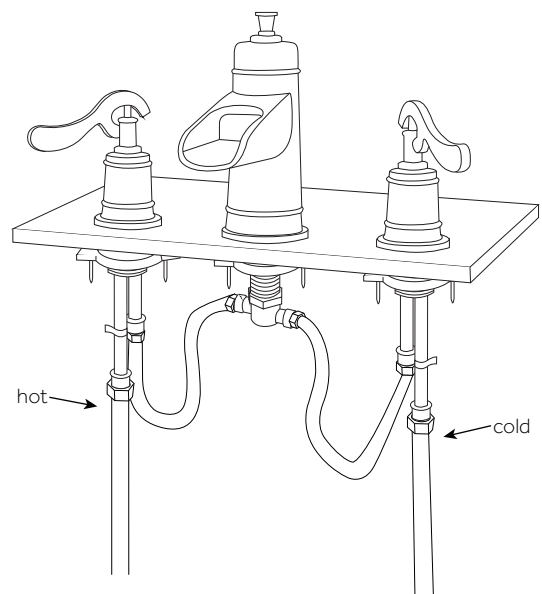
6. Repeat steps 4 and 5 for installing the 'hot' valve stem into the left mounting hole.



7. Use the provided braided water lines to connect the hot and cold valve stems to the spout's T-connector. Use an adjustable wrench to tighten, but be careful not to overtighten. Apply thread sealant or plumber's tape to each threaded connection before attaching.



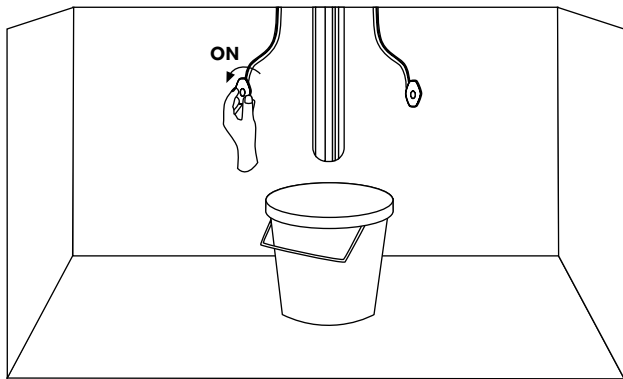
8. Attach the main water lines to each valve stem. Use an adjustable wrench to tighten, but be careful not to overtighten. Apply thread sealant or plumber's tape to each threaded connection. Ensure that you are connecting the hot and cold lines accordingly.



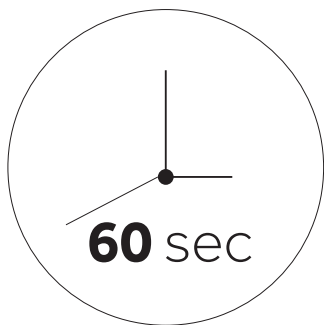


MELTON WIDESPREAD FAUCET INSTALLATION

9. Once installation is complete, turn the main water supply back on from underneath your sink. Check for any leaks underneath.



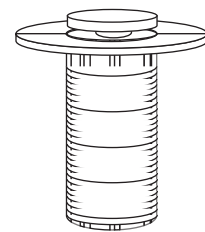
10. Proceed to sink drain installation. Once complete, turn the faucet on for approximately 60 seconds to allow any dust or loose sediment to exit the water lines. Check for any leaks.



DRAIN INSTALLATION

1. Disassemble the drain assembly and lay the parts aside, in the same order they were removed. See the illustration below as a reference if needed.

Pop-Up Drain Flange



Flat Rubber Gasket



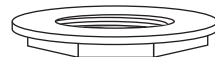
Tapered Rubber Gasket



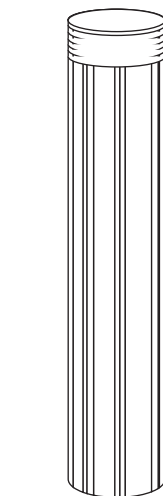
Plastic Friction Washer



Lock Nut



Tailpiece

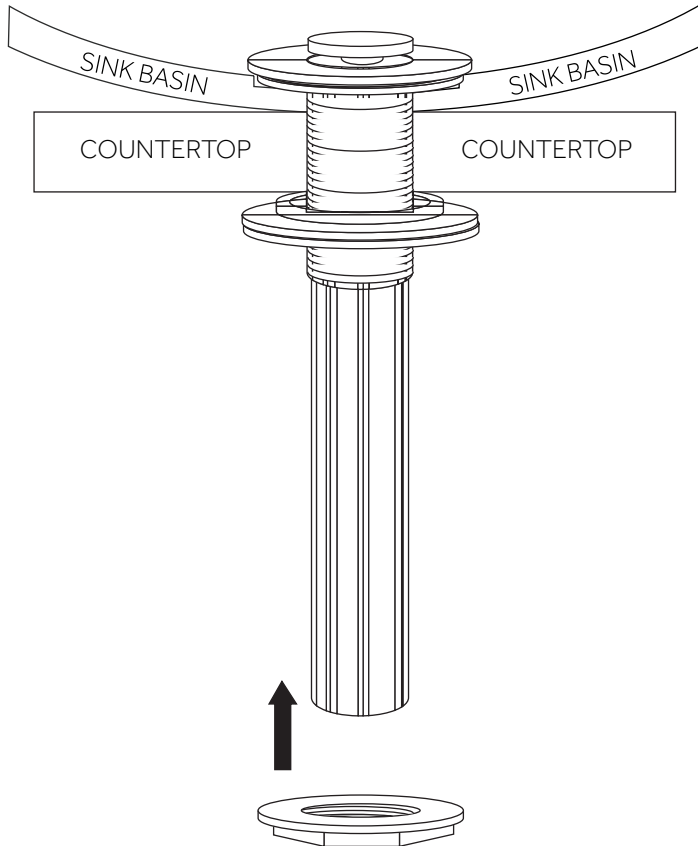




MELTON WIDESPREAD FAUCET INSTALLATION

6. Thread the lock nut onto the drain flange. Hand tighten until secure, then finish tightening with a basin wrench once the drain is properly aligned.

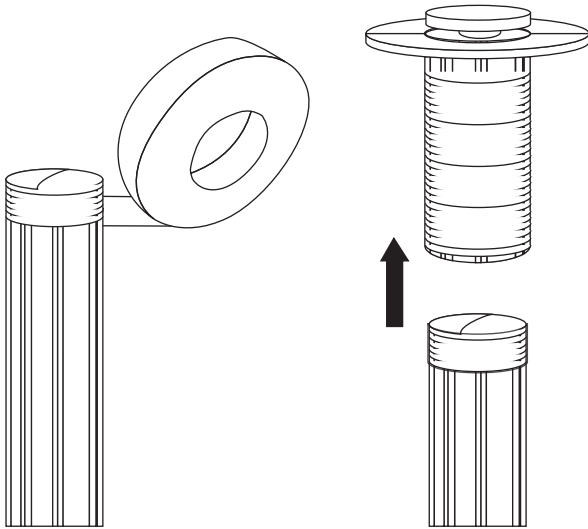
Important: Be careful not to overtighten, which could crack a porcelain sink or stone countertop.



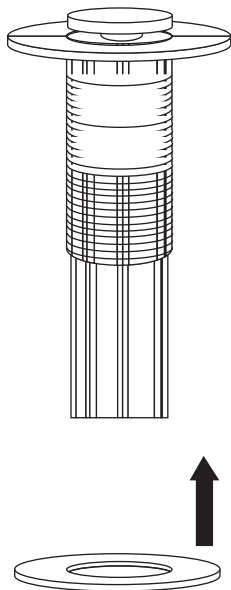


MELTON WIDESPREAD FAUCET INSTALLATION

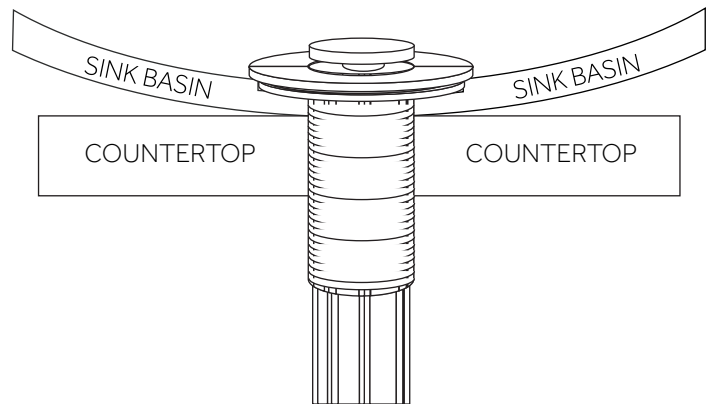
2. Apply plumber's tape to the threading on the tailpiece, then reattach the tail piece to the pop-up drain flange.



3. Slide the flat rubber gasket up the tailpiece until it meets the lip of the pop-up drain flange.



4. Insert the drain flange and tailpiece through the top of your sink's drain hole.



5. From under your counter, slide the tapered rubber gasket followed by the plastic friction washer onto the tailpiece until they meet your sink or countertop. Be sure that the tapered side of the rubber washer is facing up.

