



SKU(s): 910139, 918894, 918895, 918896,  
918897, 918898

# MELANIE WIDESPREAD FAUCET INSTALLATION

## BEFORE YOU BEGIN

We recommend consulting a professional if you are unfamiliar with installing plumbing fixtures. Signature Hardware accepts no liability for any damage to the faucet, plumbing, sink, counter top, or for personal injury during installation.

Observe all local plumbing and building codes.

Unpack and inspect the faucet for shipping damage. If any damage is found, contact our Customer Relations team at 1-866-855-2284.

---

## GETTING STARTED

- Ensure that you have gathered all the required materials that are needed for the installation.
- For these instructions, it is assumed that the old faucet has been completely removed and any necessary repairs or modifications to the water supply have been completed.

## TOOLS AND MATERIALS:



Plumbers  
Tape



Thread  
Sealant



Phillips  
Screwdriver



Adjustable  
Wrench



Small  
Bucket



Basin  
Wrench

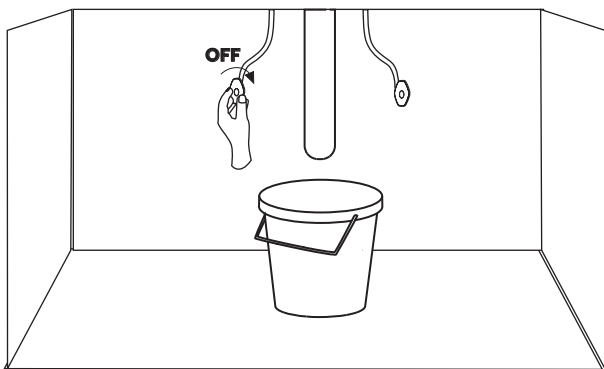


# MELANIE WIDESPREAD FAUCET INSTALLATION

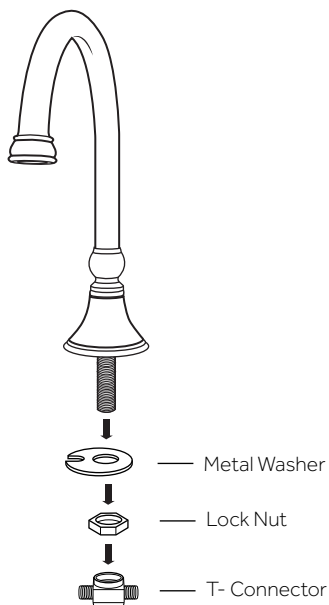
## INSTALLATION

1. Ensure that the water supply below your sink is completely shut off by turning the valve all the way to the right.

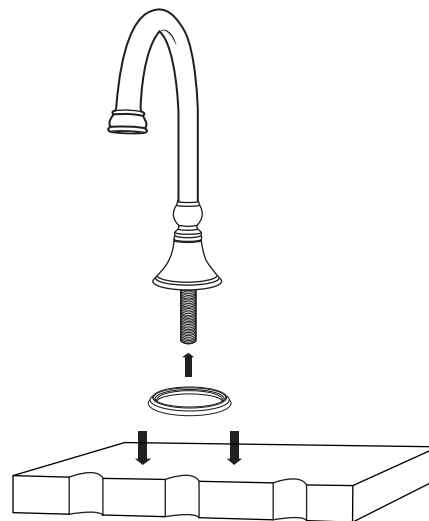
**Tip:** Place a small bucket below your workspace to catch any water that may drip during the installation process.



2. Remove the T-connector, lock nut, and metal washer from the faucet spout.

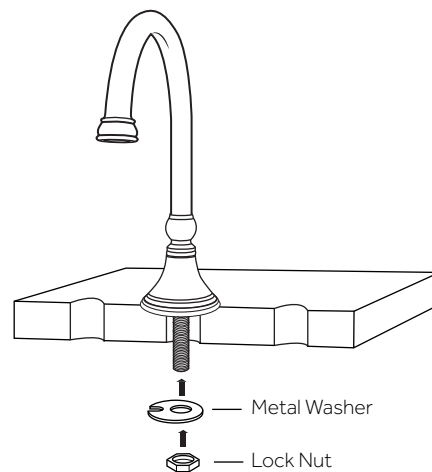


3. Set one of the decorative escutcheons over the center faucet hole, then set the spout into the hole.



4. From beneath the countertop, slide the metal washer back onto the threaded shank. Hand tighten the lock nut, then finish tightening using an adjustable wrench.

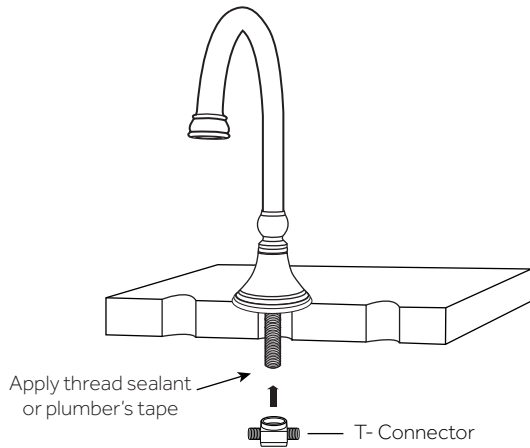
**Important:** The opening on the metal washer should face the back of the faucet so that it will line up with the hole in the spout that is reserved for the drain's lift rod.



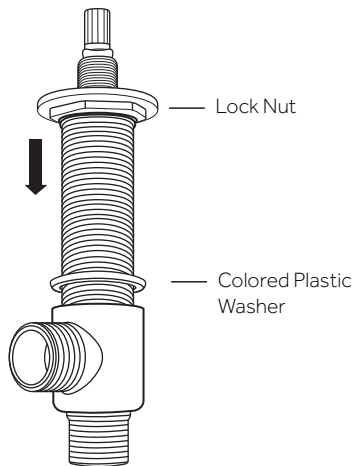


# MELANIE WIDESPREAD FAUCET INSTALLATION

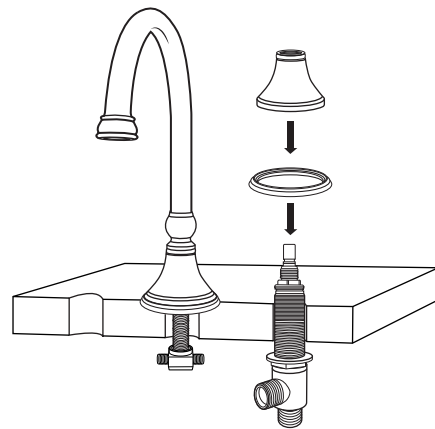
5. Reattach the T-connector to the end of the threaded shank by hand tightening. Apply plumber's tape or thread sealant to the threads before tightening. Ensure that the inlets of the T-connector and pointing to the left and right.



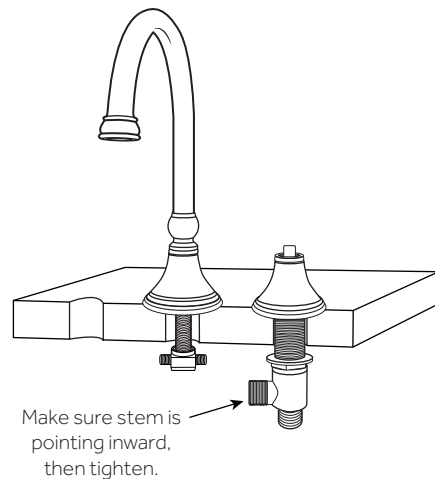
6. The faucet's valve stems are labeled by colored plastic washers – blue for 'cold' and red for 'hot.' On the 'cold' valve stem, loosen the lock nut to its furthest point at the bottom of the stem.



7. From beneath the counter top, insert the valve stem through the right-side faucet hole. From above the counter top, set one of the decorative escutchions over the right and left holes then thread one of the two bell flanges to the stem until hand-tight.



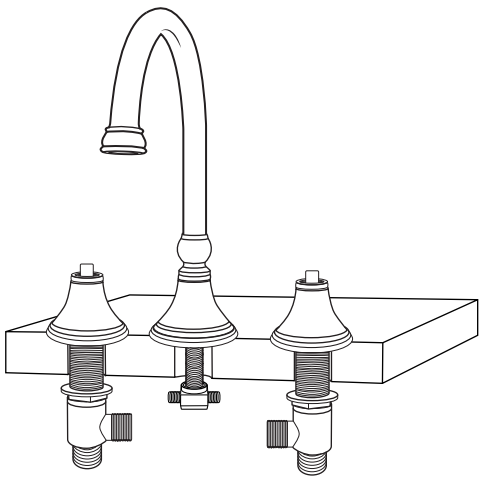
8. From beneath the sink, position the stem so that the outlet on the side of the stem is pointing inward, towards the T-connector. While holding in place, hand tighten the lock nut. Finish tightening using a basin wrench.



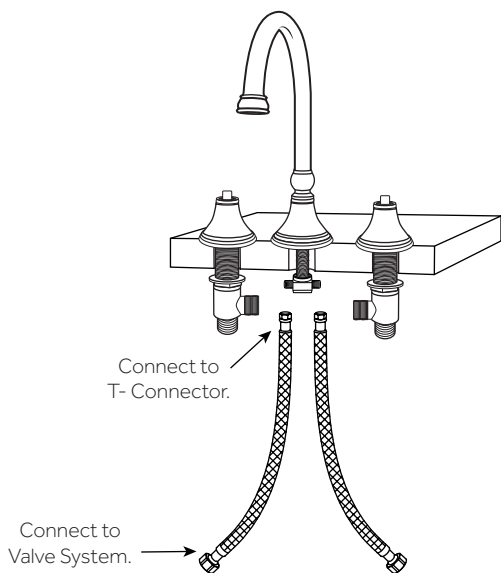


# MELANIE WIDESPREAD FAUCET INSTALLATION

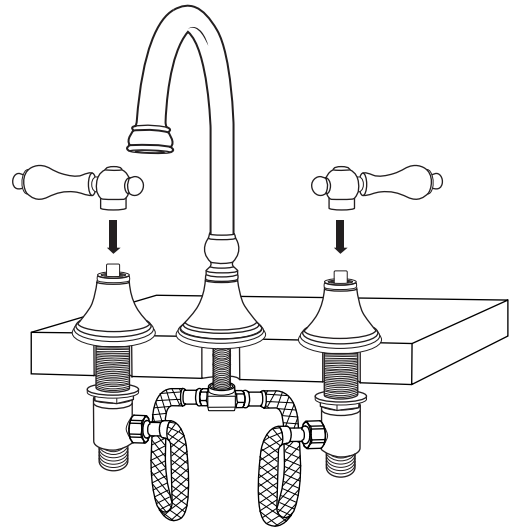
9. Repeat steps 6-8 to install the 'hot' valve stem into the left-side faucet hole.



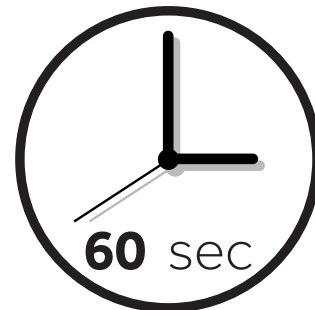
10. Use the provided braided water lines to connect the hot and cold valve stems to the T-connector. Use an adjustable wrench to tighten, but be careful not to overtighten. Apply thread sealant or plumber's tape to each threaded connection before attaching.



11. Attach the faucet handles to the valve stems, as shown.



12. Connect the main water supply lines to the valve stems. Apply plumber's tape or thread sealant to the threads before tightening. Turn the faucet on and allow the water to flow for approximately 60 seconds. Ensure that there are no leaks, and that both hot and cold water are running properly





# MELANIE WIDESPREAD FAUCET INSTALLATION

## BEFORE YOU BEGIN

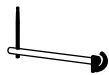
We recommend consulting a professional if you are unfamiliar with installing bathroom fixtures and plumbing. Signature Hardware accepts no liability for any damage to the floor, walls, plumbing, or personal injury during installation.

Unpack and inspect the item for damage. If any damage is found, contact our Customer Relations team at 1-866-855-2284.

## TOOLS AND MATERIALS:



Plumber's Tape\*



Basin Wrench\*

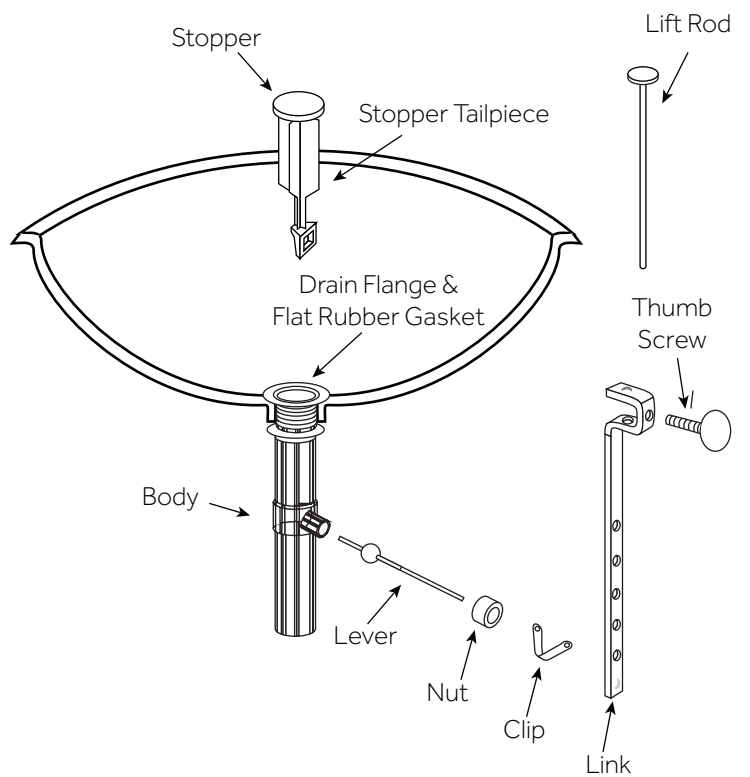


Thread Sealant\*

\*not included

## GETTING STARTED

- Ensure that you have gathered all of the required materials that are needed for the installation.

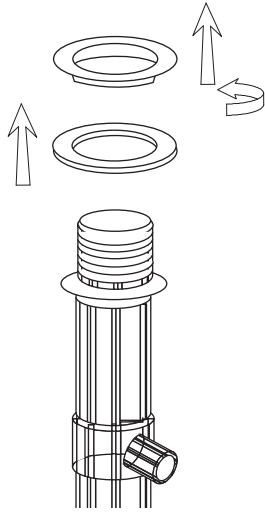




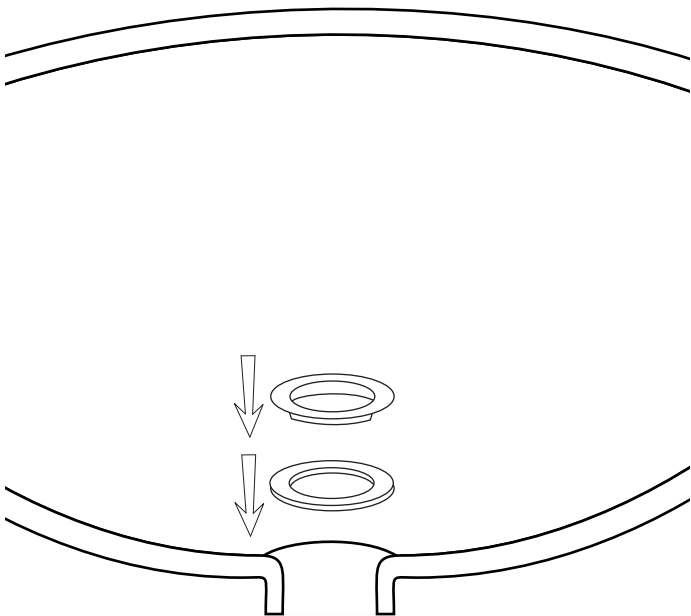
# MELANIE WIDESPREAD FAUCET INSTALLATION

## INSTALLATION

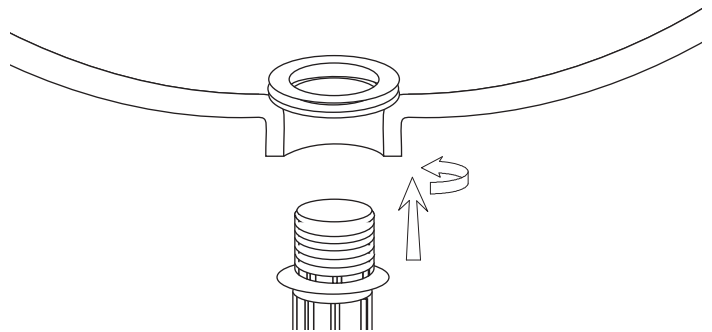
1. Remove the flange by unthreading it from the drain body. Remove the flat rubber gasket as well.



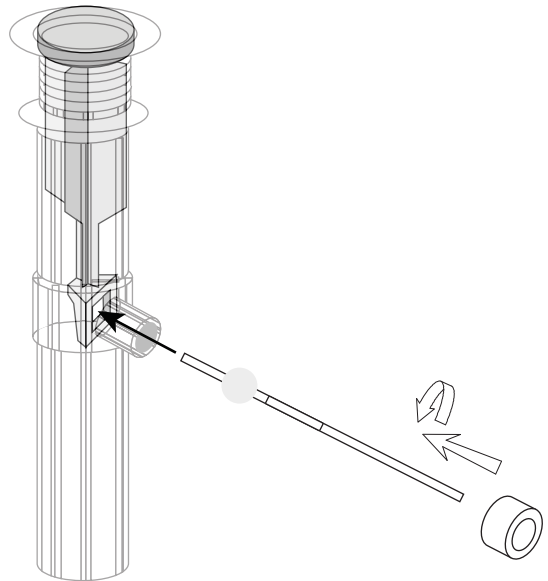
2. Set the flat rubber gasket over the drain hole in your sink, then insert the flange into the drain hole.



3. From beneath the sink, reattach the flange by threading it back onto the drain body.



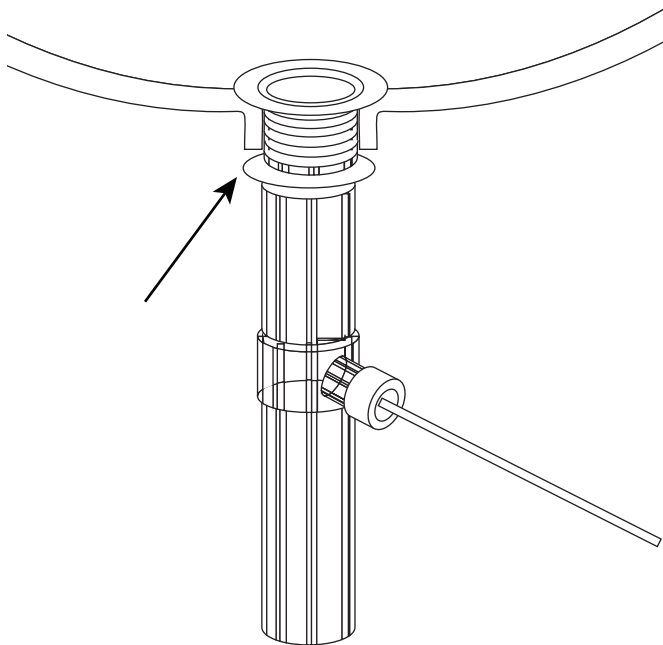
4. Connect the drain lever by threading it into the hole on the side of the drain body. The lever must pass through the hole in the stopper tailpiece to function properly. Apply a bit of thread sealant or plumber's tape to the threads before attaching.



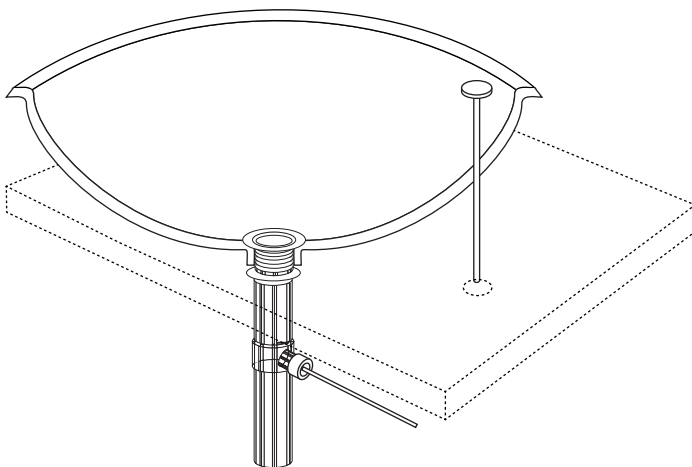


# MELANIE WIDESPREAD FAUCET INSTALLATION

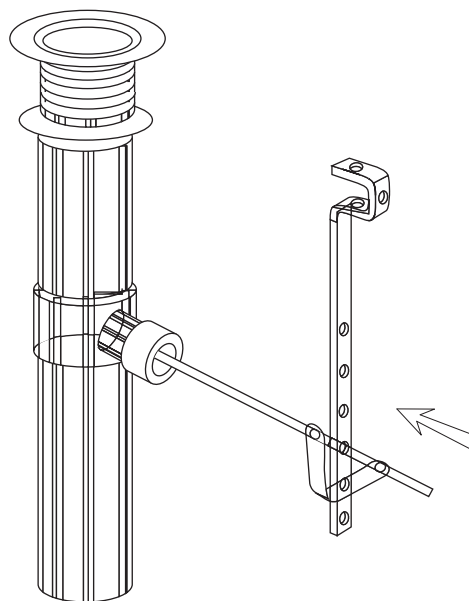
5. Position the drain so that the lever is facing the back of the fixture, in line with the faucet's lift rod. While holding in place, hand tighten the lock nut until secure then finish tightening with a basin wrench. Be careful not to overtighten, which can crack a fragile sink.



6. If not already installed, insert the faucet's lift rod into its designated hole on the back of the faucet.



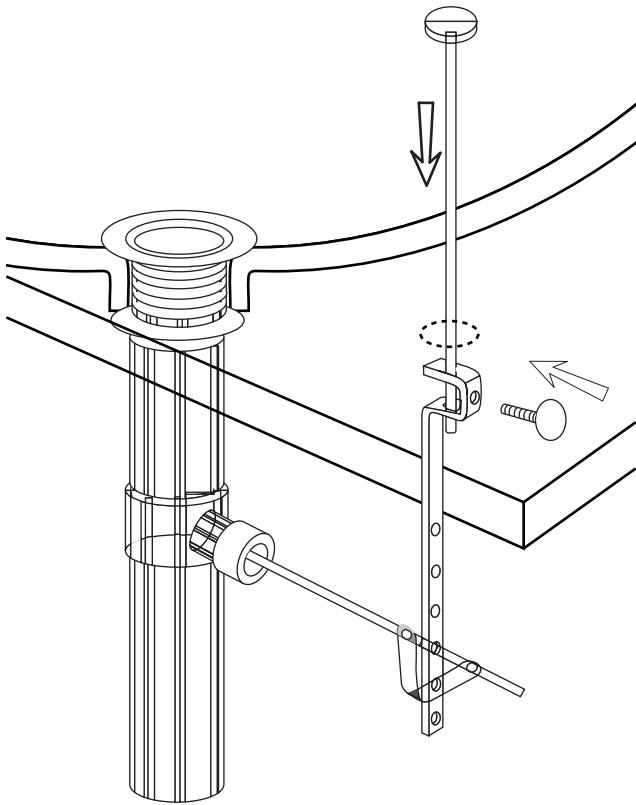
7. Use the link to attach the faucet's lift rod to the drain lever. Pinch the metal clip located on the drain lever to remove. Slide one end of the clip back onto the lever, followed by the link, then the second end of the clip to secure.



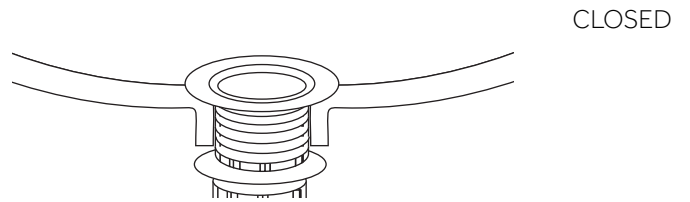
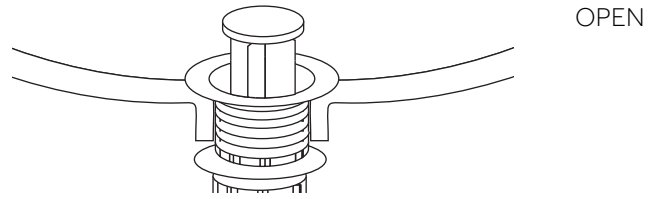


# MELANIE WIDESPREAD FAUCET INSTALLATION

8. Attach the lift rod to the top of the link and secure it by tightening the thumb screw.



9. Make any final adjustments to the positioning of the link and drain lever as needed. Adjust until the drain fully opens and closes.



10. Fill your sink to check for any leaks and to ensure that the drain is functioning properly.

