



LETA SINGLE HOLE FAUCET INSTALLATION

BEFORE YOU BEGIN

We recommend consulting a professional if you are unfamiliar with installing plumbing fixtures. Signature Hardware accepts no liability for any damage to the faucet, plumbing, sink, counter top, or for personal injury during installation.

Observe all local plumbing and building codes.

Unpack and inspect the faucet for shipping damage. If any damage is found, contact our Customer Relations team at 1-866-855-2284.

GETTING STARTED

- Ensure that you have gathered all the required materials that are needed for the installation.
- For these instructions, it is assumed that the old faucet has been completely removed and any necessary repairs or modifications to the water supply have been completed.

TOOLS AND MATERIALS:



Plumbers Tape



Thread Sealant



Adjustable Wrench



Small Bucket



Basin Wrench

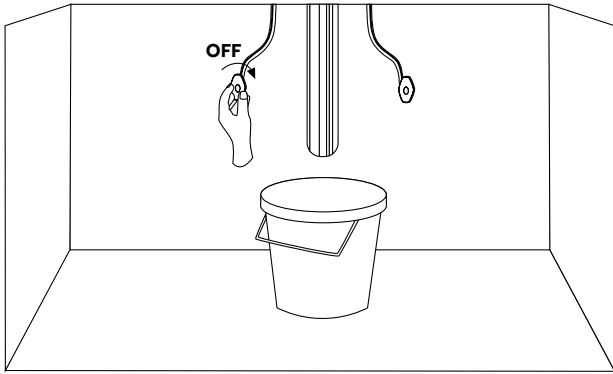


LETA SINGLE HOLE FAUCET INSTALLATION

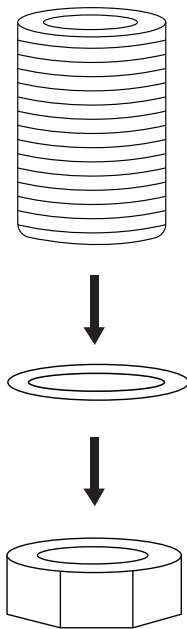
INSTALLATION

1. Ensure that the water supply below your sink is completely shut off by turning the shutoff valves all the way to the right.

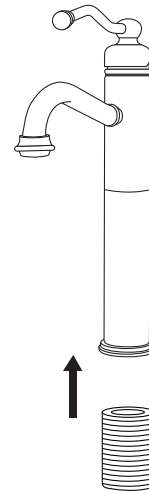
Tip: Place a small bucket below your workspace to catch any water that may drip during the installation process.



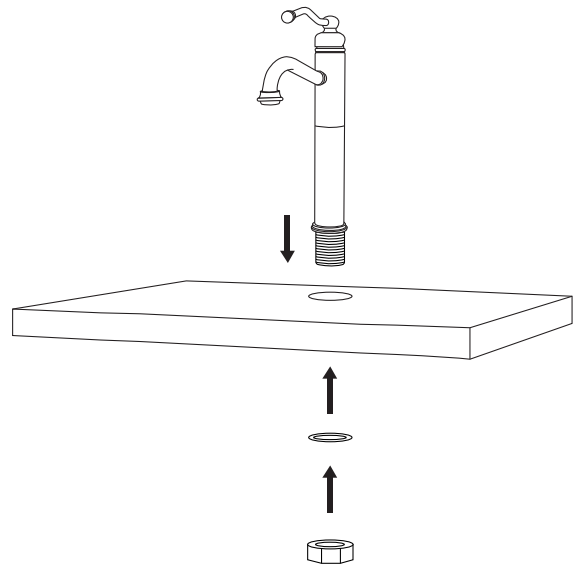
2. Remove the lock nut and rubber washer from the threaded shank, as shown.



3. Attach the threaded shank to the faucet body. Thread into the base of the faucet until hand-tight.



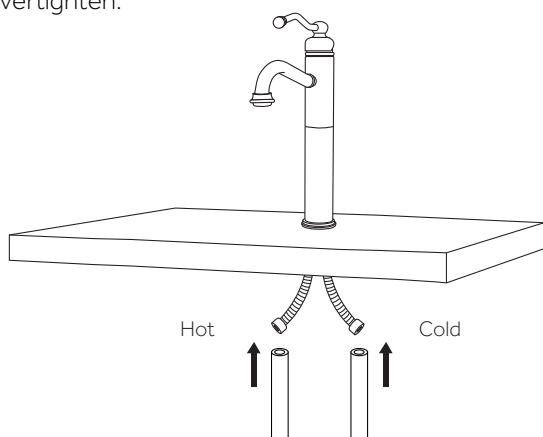
4. Insert the faucet into the mounting hole. From beneath the sink, slide the rubber washer onto the faucet. Secure the faucet to the surface using the lock nut. Tighten firmly using a basin wrench or adjustable wrench.





LETA SINGLE HOLE FAUCET INSTALLATION

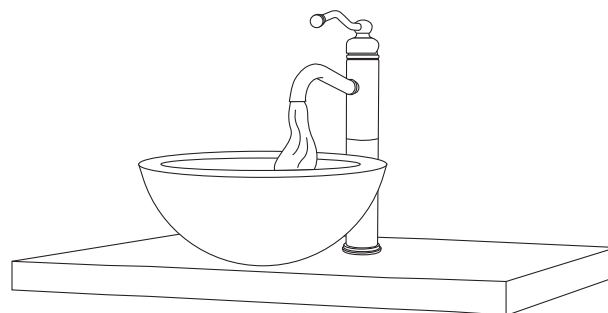
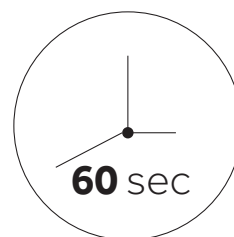
5. Apply plumber's tape or thread sealant to the threading on each braided water line. Attach the water lines to your main water supply lines. Ensure that you are connecting the hot and cold lines accordingly. Use an adjustable wrench to tighten, but be careful not to overtighten.



6. Once installation is complete, turn the main water supply back on from underneath your sink. Check for any leaks underneath.



7. Remove the aerator from the spout and turn the faucet on to remove any dust or loose sediment from the water lines. Check for leaks. Check to ensure that both hot and cold water are running properly. Allow the water to flow for approximately 60 seconds, then reattach the aerator.





LETA SINGLE HOLE FAUCET INSTALLATION

BEFORE YOU BEGIN

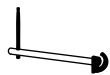
We recommend consulting a professional if you are unfamiliar with installing bathroom fixtures and plumbing. Signature Hardware accepts no liability for any damage to the floor, walls, plumbing, or personal injury during installation.

Unpack and inspect the item for damage. If any damage is found, contact our Customer Relations team at 1-866-855-2284.

TOOLS AND MATERIALS:



Plumber's Tape



Basin Wrench

*not included

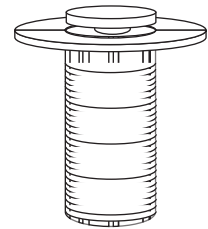
GETTING STARTED

- Ensure that you have gathered all of the required materials that are needed for the installation.

INSTALLATION

1. Dissassemble the drain assembly and lay the parts aside, in the same order they were removed. See the illustration below as a reference if needed.

Pop-Up Drain Flange



Flat Rubber Gasket



Tapered Rubber Gasket



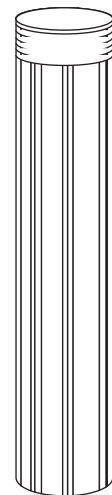
Plastic Friction Washer



Lock Nut



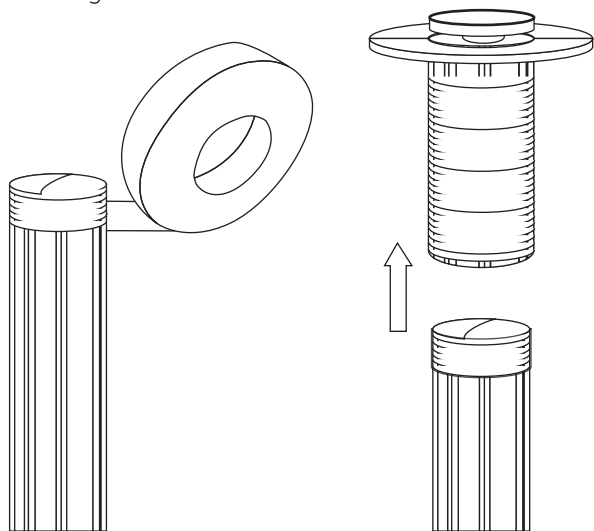
Tailpiece



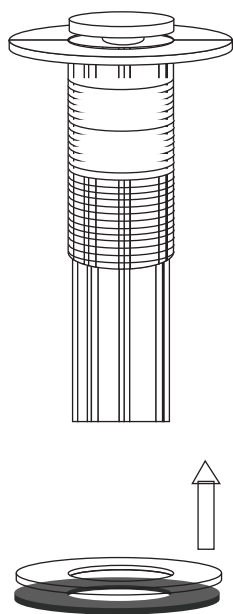


LETA SINGLE HOLE FAUCET INSTALLATION

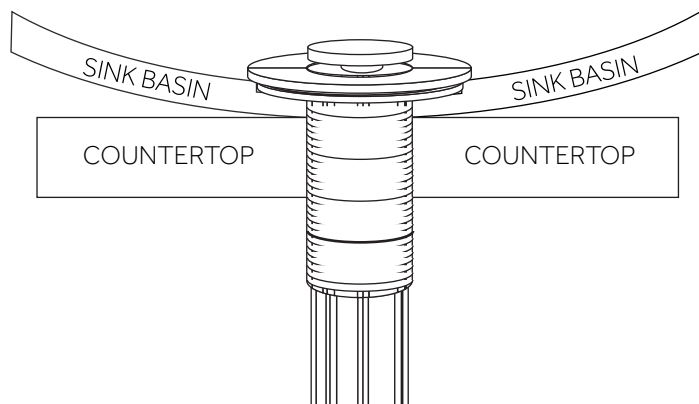
2. Apply plumber's tape to the threading on the tailpiece, then reattach the tail piece to the pop-up drain flange.



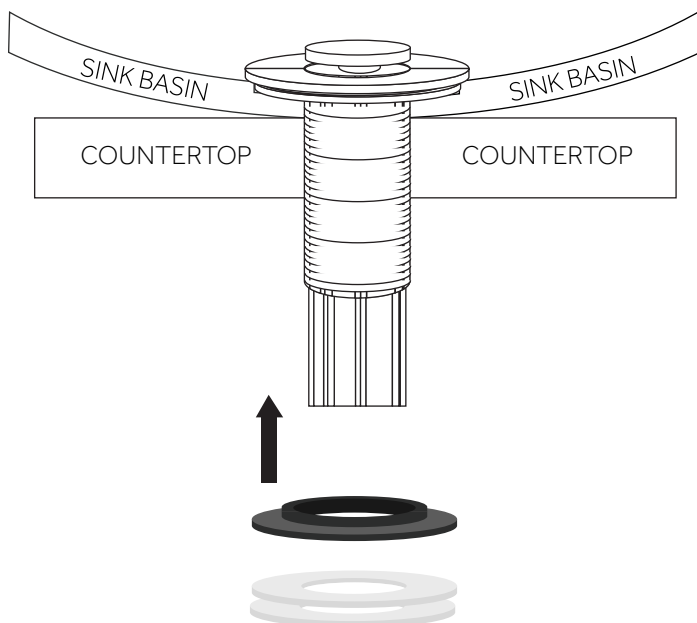
3. Slide the flat rubber gasket up the tailpiece until it meets the lip of the pop-up drain flange.



4. Insert the drain flange and tailpiece through the top of your sink's drain hole.



5. From under your counter, slide the tapered rubber gasket followed by the plastic friction washer onto the tailpiece until they meet your sink or countertop. Be sure that the tapered side of the rubber washer is facing up.





LETA SINGLE HOLE FAUCET INSTALLATION

6. Thread the lock nut onto the drain flange. Hand tighten until secure, then finish tightening with a basin wrench once the drain is properly aligned.

Important: Be careful not to overtighten, which could crack a porcelain sink or stone countertop.

