



LETA FREESTANDING FAUCET INSTALLATION

BEFORE YOU BEGIN

We recommend consulting a professional if you are unfamiliar with installing plumbing fixtures. Signature Hardware accepts no liability for any damage to the plumbing, floor, walls, tub, or for personal injury during installation.

Observe all local plumbing and building codes.

Unpack and inspect the faucet for shipping damage. If any damage is found, contact our Customer Relations team at 1-866-855-2284.

GETTING STARTED

- Ensure that you have gathered all the required materials that are needed for the installation.
- For these instructions, it is assumed that the floor has been finished and the water supply has been prepared.

TOOLS AND MATERIALS:



Plumbers
Tape



Thread
Sealant



Pencil or
Marker



Adjustable
Wrench



Level



Drill



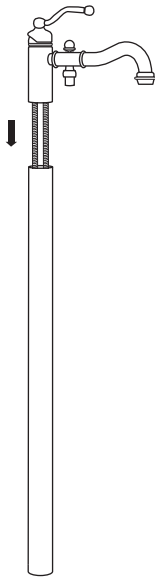
Hex Wrench
(provided)



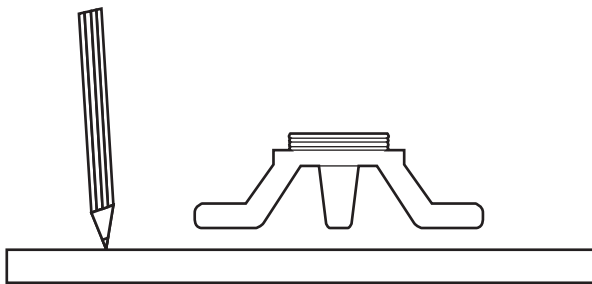
LETA FREESTANDING FAUCET INSTALLATION

INSTALLATION

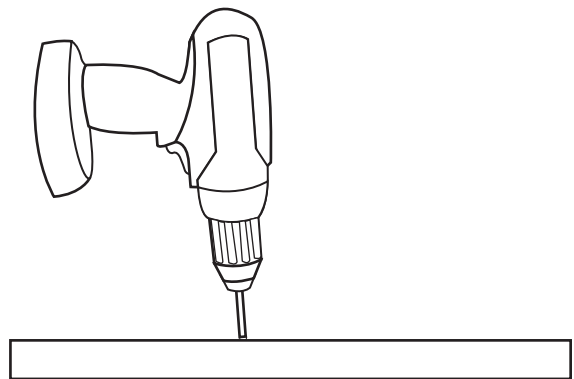
1. Attach the spout to the faucet body. Feed the spout's water lines through the top of the faucet body, then hand-tighten the spout firmly to the body.



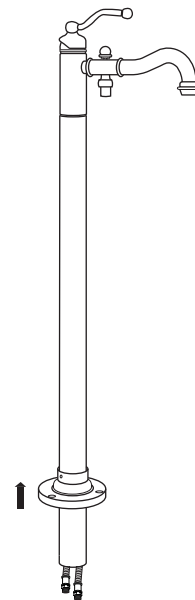
2. Set the base of the faucet at its prepared location. Once positioned properly, mark the location of the mounting holes on the floor.



3. Drill pilot holes into the floor at the marked mounting hole locations. Insert the provided anchors into the drilled holes.



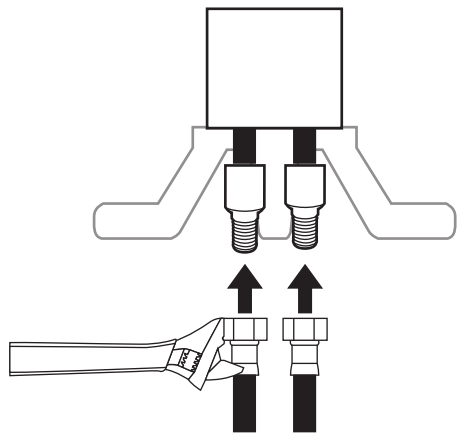
4. Slide the base of the faucet onto the faucet body, as shown.



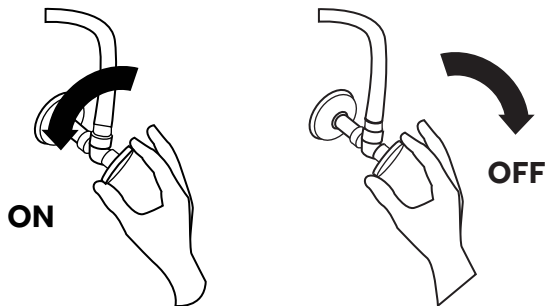


LETA FREESTANDING FAUCET INSTALLATION

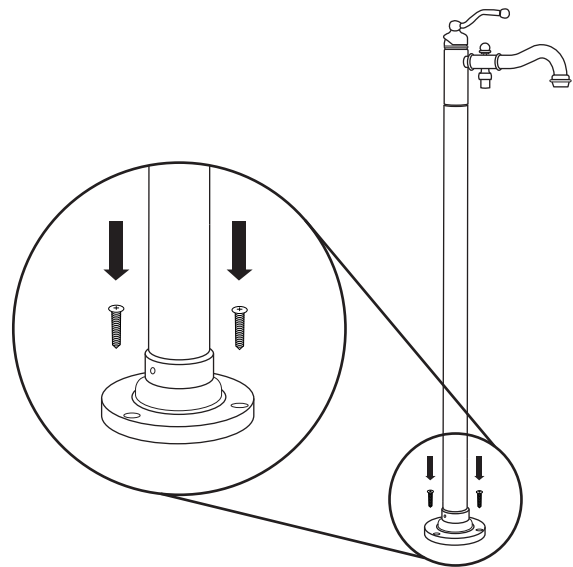
5. Connect the braided water lines to the main water supply at the floor. Ensure that you are connecting the hot and cold lines appropriately. Apply thread sealant or plumber's tape to the threads before attaching. Hand tighten firmly, then finish tightening using an adjustable wrench. Be careful not to overtighten.



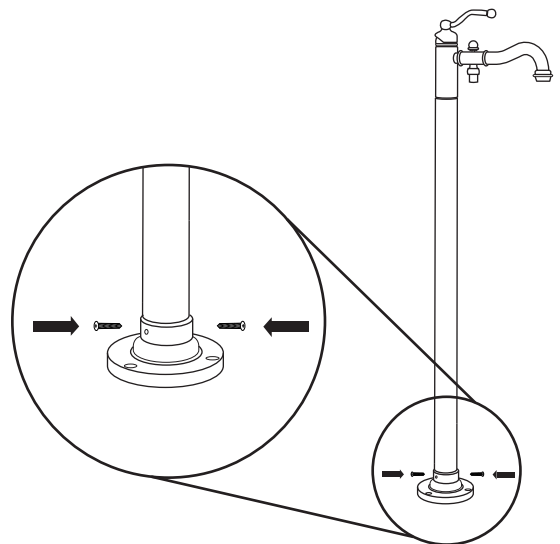
6. Briefly turn on the main water supply to ensure that there are no leaks. Once you have determined that there are no leaks, turn the water supply back off and continue with the installation.



7. Slide the base of the faucet to the bottom of the body, and secure the base to the floor using the provided screws. Tighten firmly.



8. Insert the faucet body into the installed base. Position the faucet appropriately, then secure the faucet to the base using the provided set screws and hex wrench.





LETA FREESTANDING FAUCET INSTALLATION

9. Once installation is complete, turn on the main water supply. Remove the aerator from the spout and turn the faucet on. Allow the water to flow for 60 seconds to remove any dust or loose sediment within the water lines. Check for any leaks, and that hot and cold water are running appropriately. Divert the water to the hand shower and allow the water to flow through the hose for approximately 60 seconds.

