



HAL BYPASS BARN DOOR HARDWARE INSTALLATION

BEFORE YOU BEGIN

We recommend consulting a professional if you are unfamiliar with installing door hardware. Signature Hardware accepts no liability for any damage to the hardware, door, walls, floor, or for personal injury during installation.

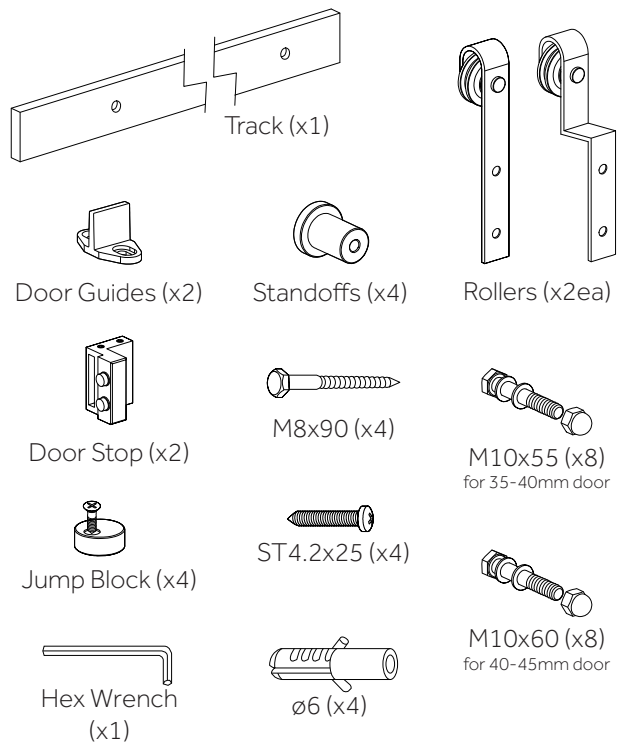
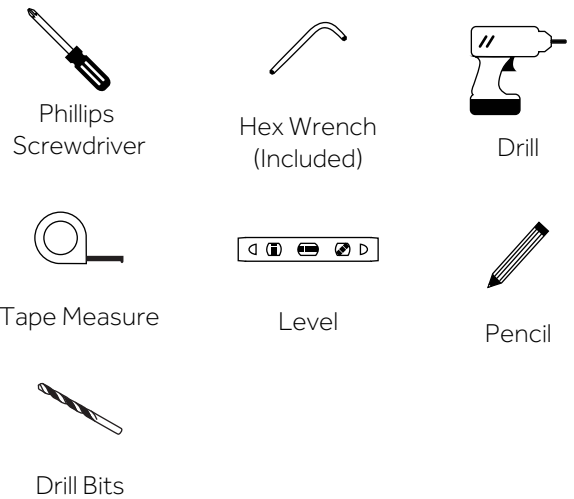
Observe all local building codes.

Unpack and inspect the items for shipping damage. If any damage is found, contact our Customer Relations team at 1-866-855-2284.

GETTING STARTED

- Ensure that you have gathered all the required materials that are needed for the installation.
- All fasteners must be mounted securely into solid wood studs, or wood blocking within the wall, for proper support.

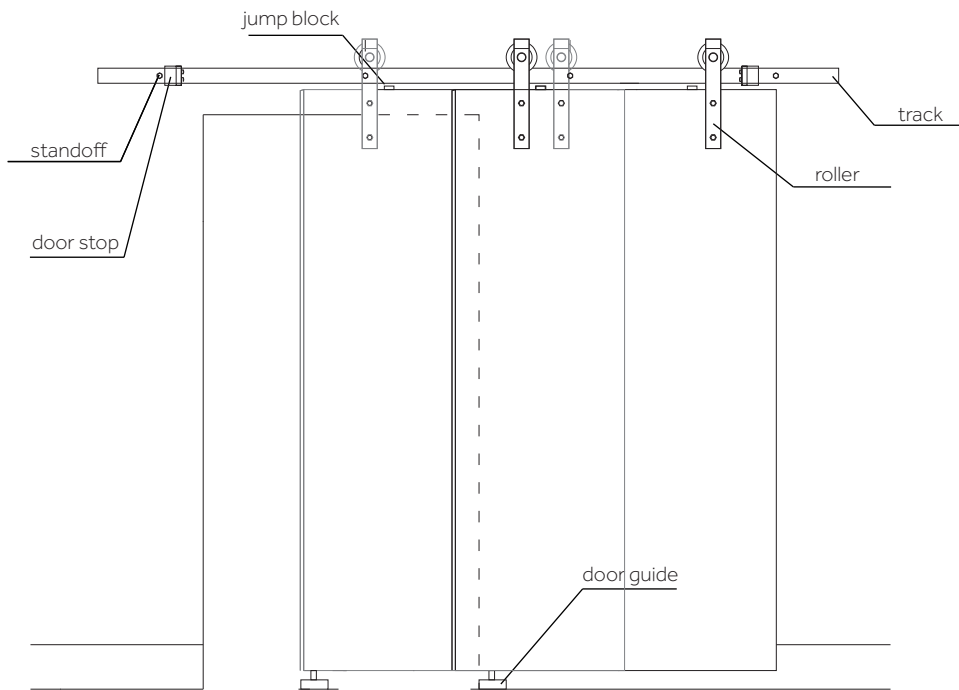
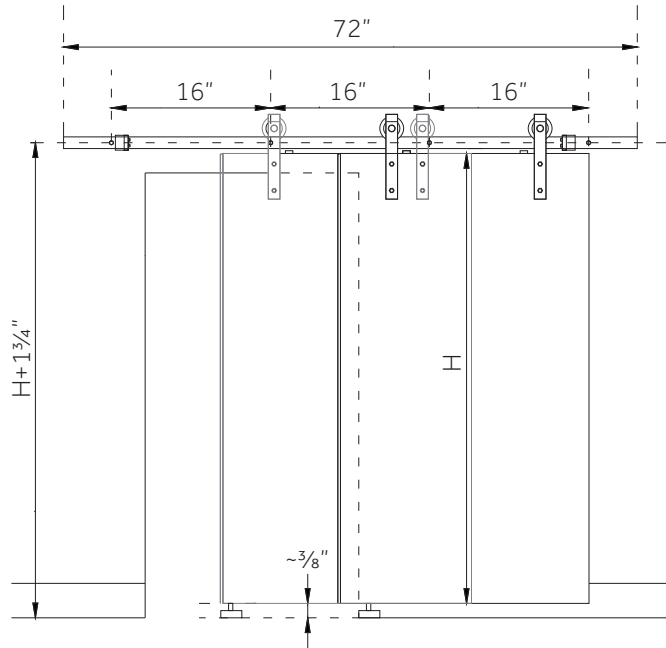
TOOLS AND MATERIALS:





HAL BYPASS BARN DOOR HARDWARE INSTALLATION

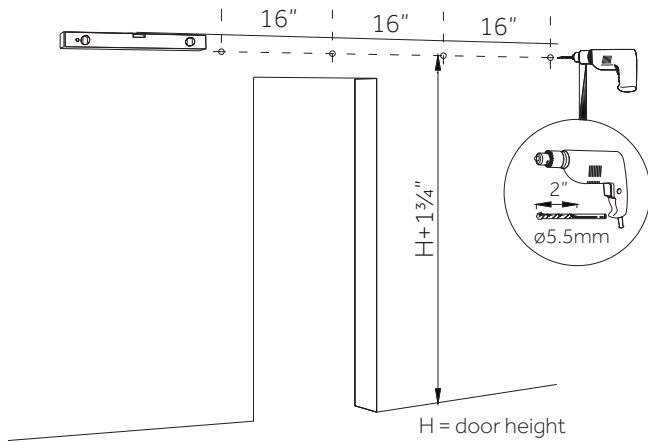
INSTALLATION



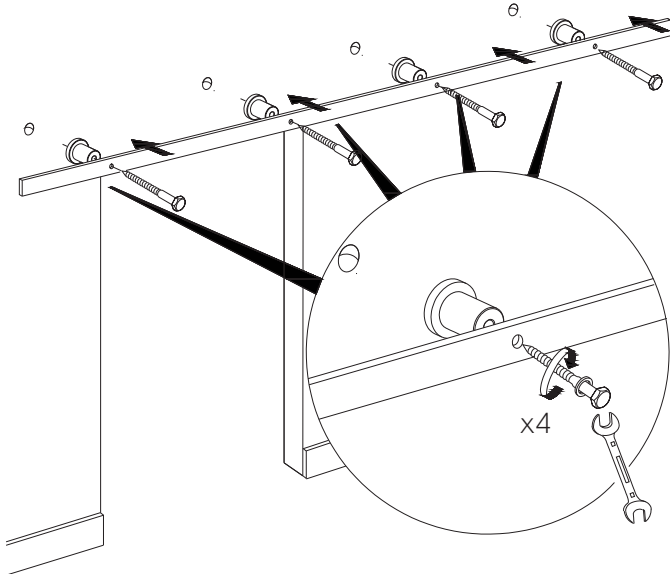


HAL BYPASS BARN DOOR HARDWARE INSTALLATION

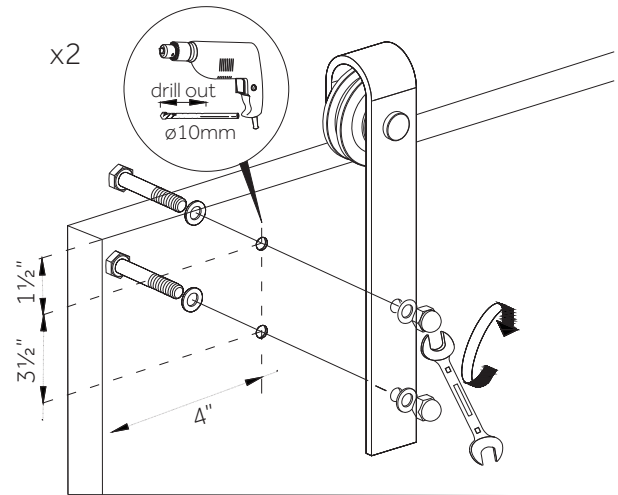
1.



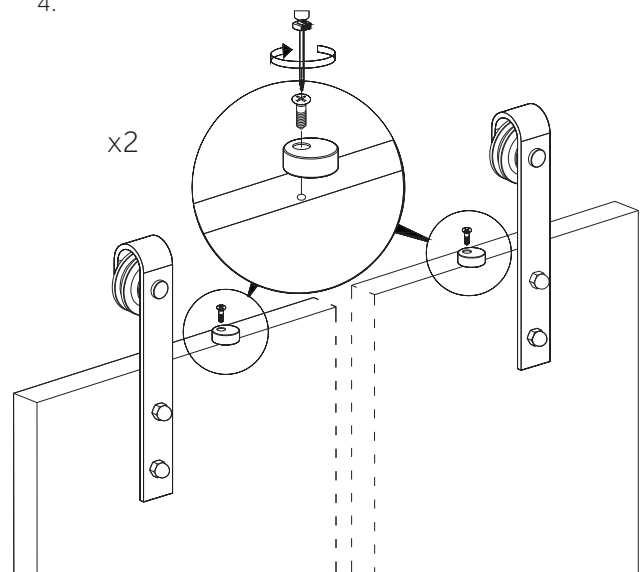
2.



3.



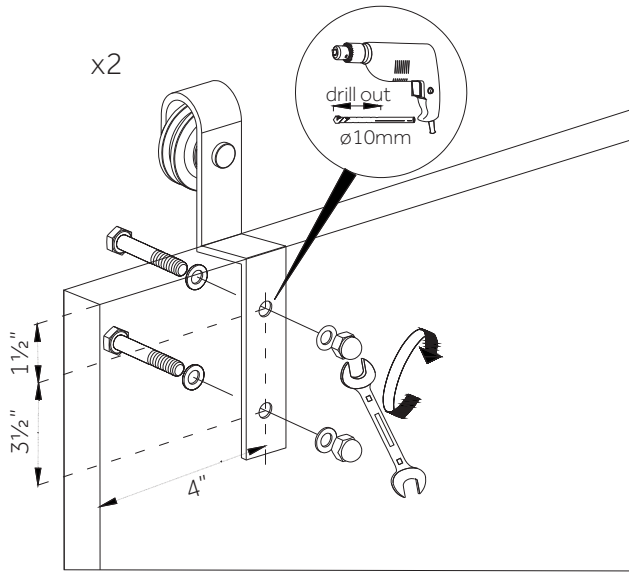
4.



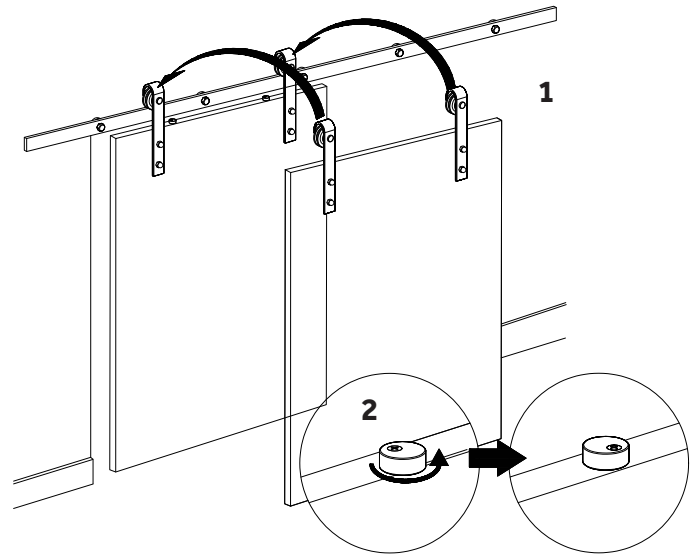


HAL BYPASS BARN DOOR HARDWARE INSTALLATION

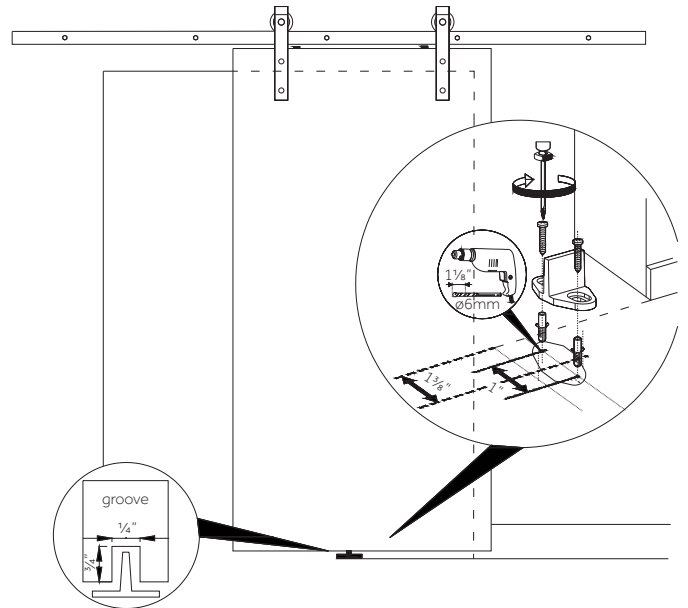
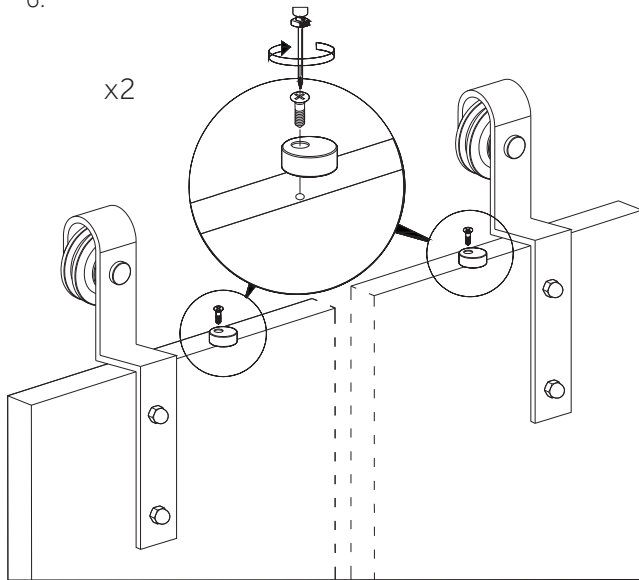
5.



7.



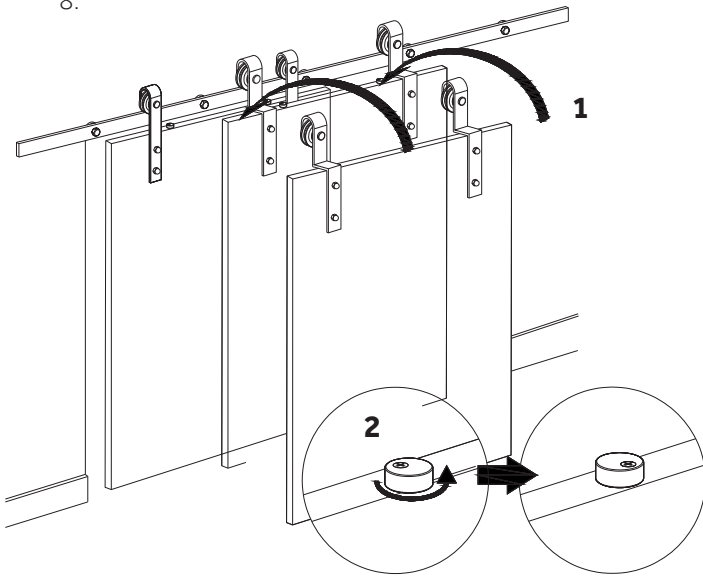
6.



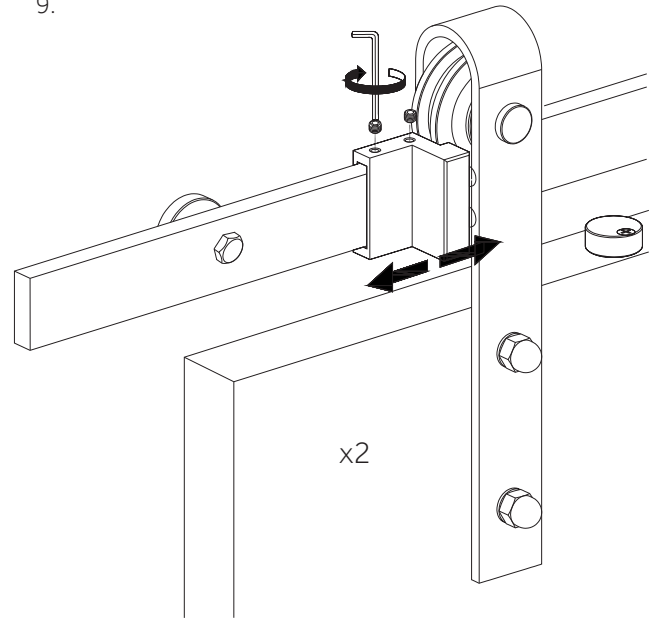


HAL BYPASS BARN DOOR HARDWARE INSTALLATION

8.



9.



10.

