

ENDERS BARN DOOR ASSEMBLY INSTRUCTIONS

BEFORE YOU BEGIN

We recommend consulting a professional if you are unfamiliar with assembling this type of product. Signature Hardware accepts no liability for any damage to the hardware, door, walls, floor, or for personal injury during installation.

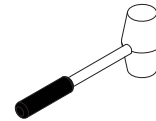
Observe all local building codes.

Unpack and inspect the items for shipping damage. If any damage is found, contact our Customer Relations team at 1-866-855-2284.

TOOLS AND MATERIALS:



Wrench



Rubber Mallet



Socket Wrench

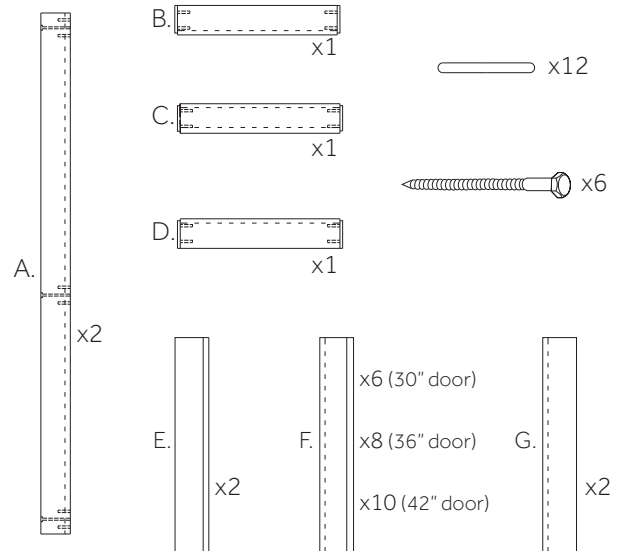


Wood Glue

GETTING STARTED

- Ensure that you have gathered all the required materials that are needed for the installation.

COMPONENTS:





ENDERS BARN DOOR ASSEMBLY INSTRUCTIONS

