



EMILE BARN DOOR HARDWARE INSTALLATION

BEFORE YOU BEGIN

We recommend consulting a professional if you are unfamiliar with installing door hardware. Signature Hardware accepts no liability for any damage to the hardware, door, walls, floor, or for personal injury during installation.

Observe all local building codes.

Unpack and inspect the items for shipping damage. If any damage is found, contact our Customer Relations team at 1-866-855-2284.

GETTING STARTED

- Ensure that you have gathered all the required materials that are needed for the installation.
- All fasteners must be mounted securely into solid wood studs, or wood blocking within the wall, for proper support.
- If drilling custom mounting holes into a non-drilled track, be sure to use a $\frac{3}{8}$ " diameter titanium coated or cobalt steel drill bit. Drill slowly and carefully. Holes should be evenly spaced, and ensure that there is one mounting hole within 4" of each end.

TOOLS AND MATERIALS:



Phillips
Screwdriver



Adjustable
Wrench



Drill



Tape Measure



Level



Pencil



Drill Bits

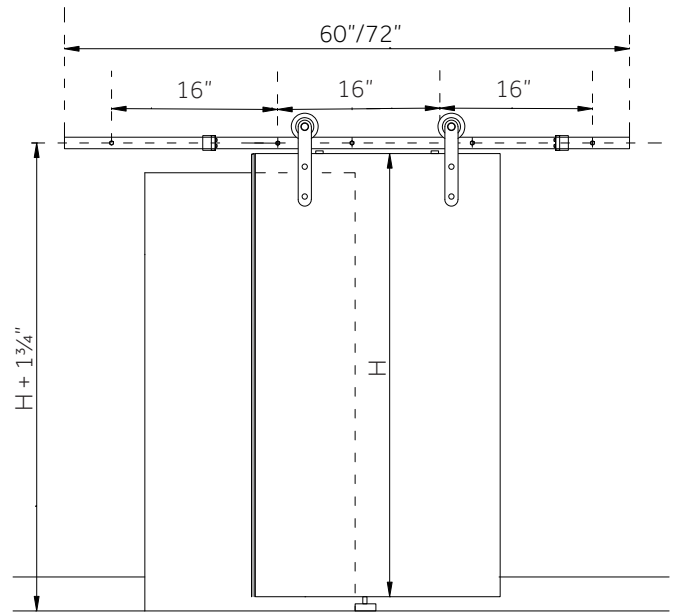
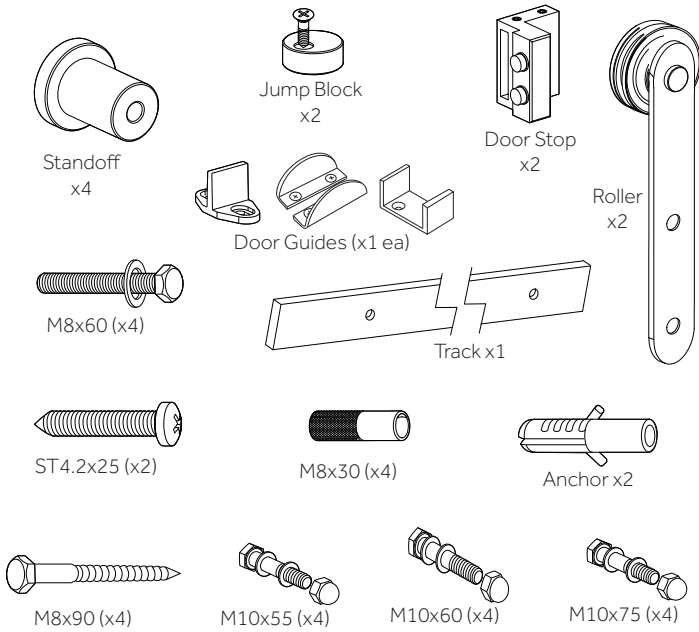


Hex Wrench
(Included)

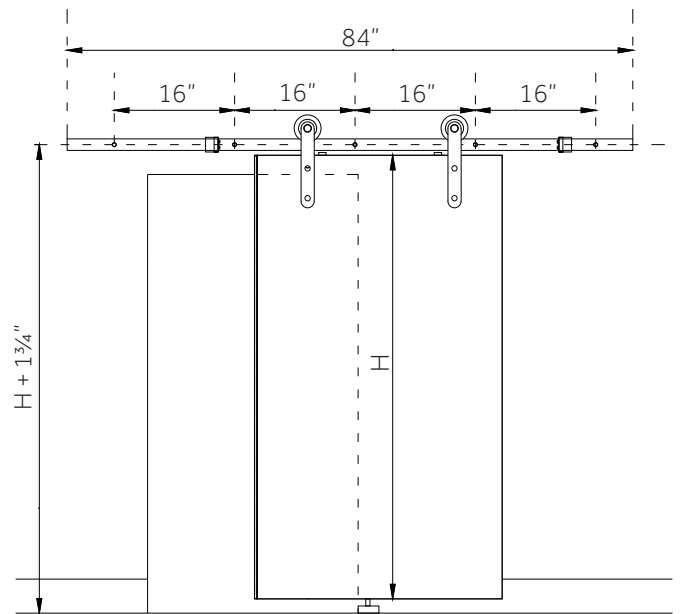
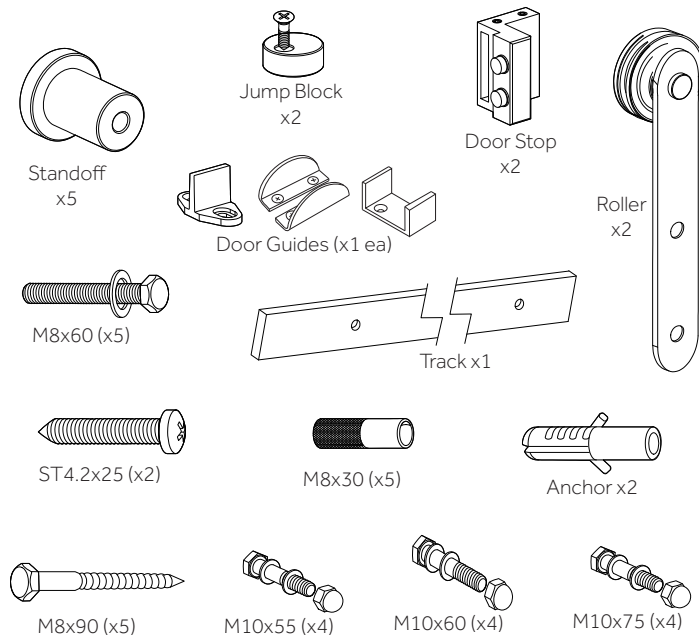


EMILE BARN DOOR HARDWARE INSTALLATION

60"/72"



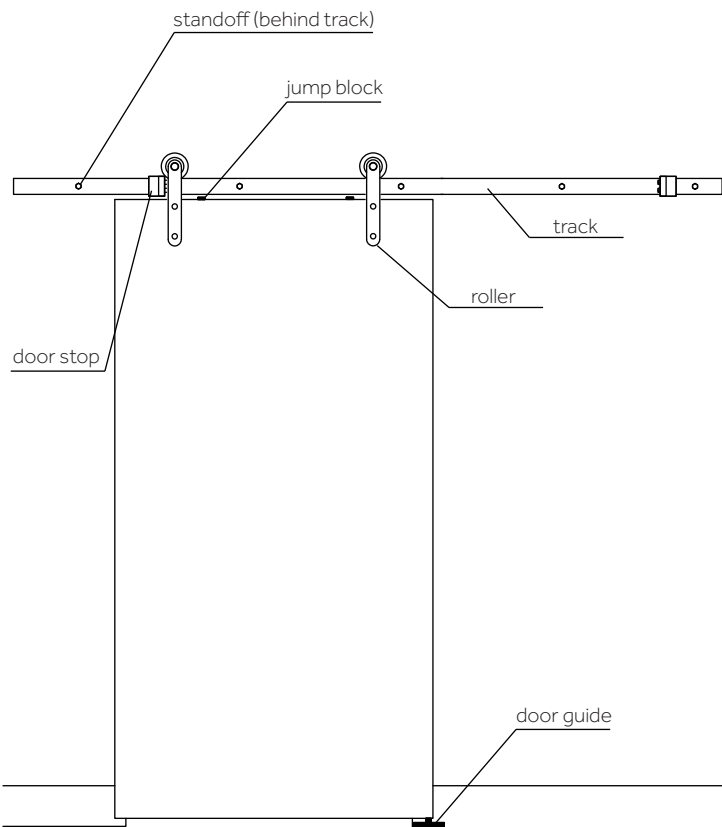
84"





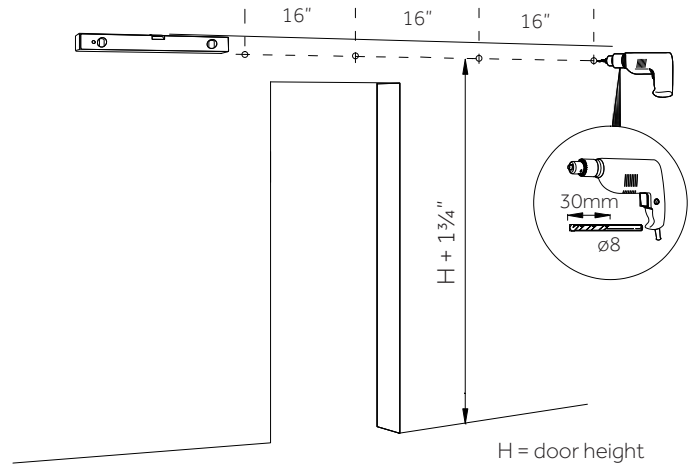
EMILE BARN DOOR HARDWARE INSTALLATION

Parts Diagram

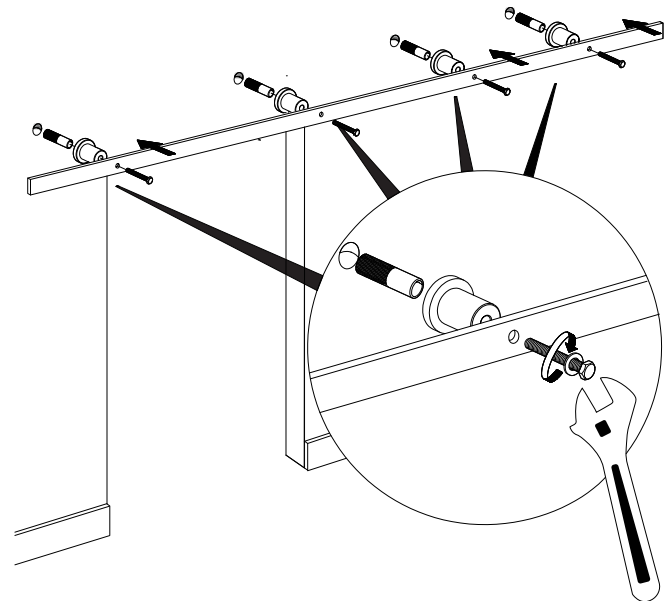


Masonry Installation

1A.



2A.

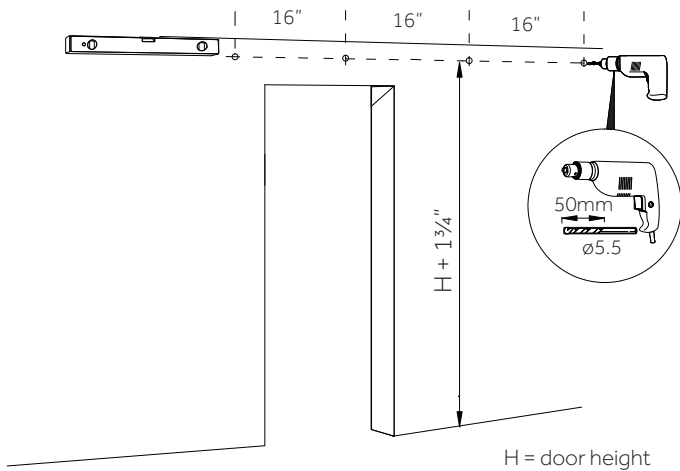




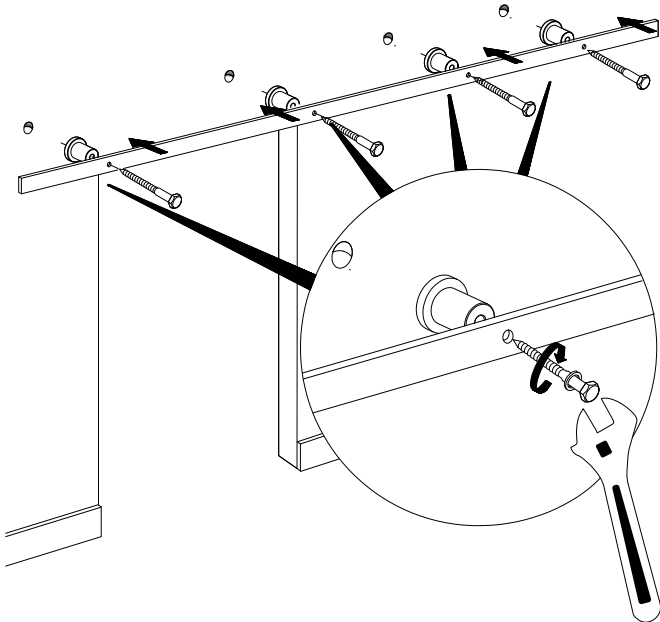
EMILE BARN DOOR HARDWARE INSTALLATION

Drywall Installation

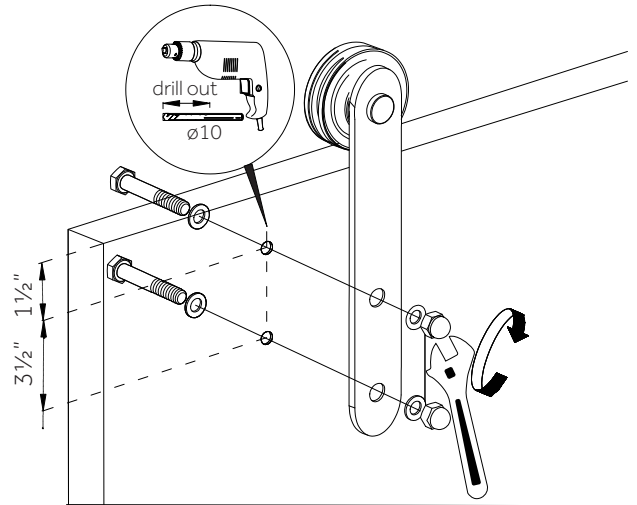
1B.



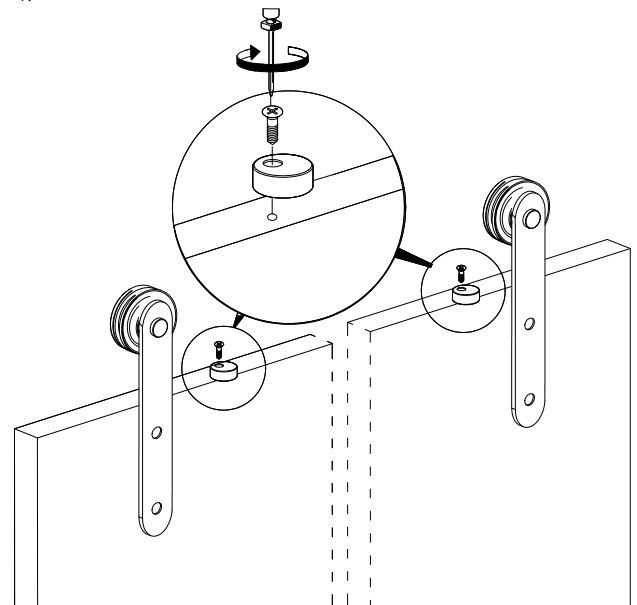
2B.



3.



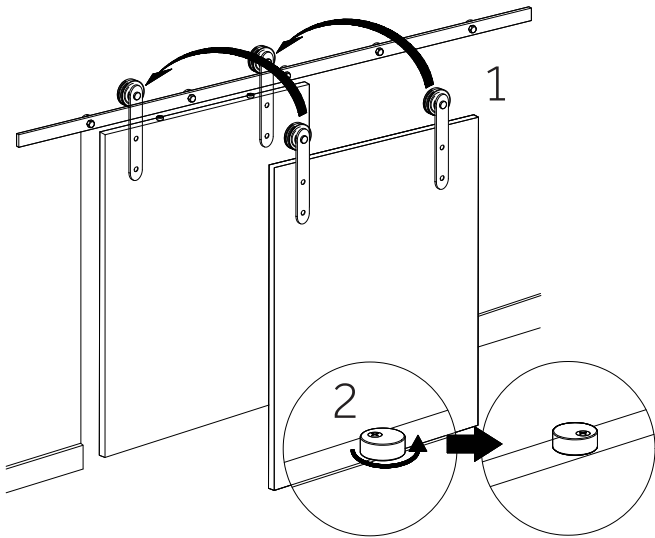
4.



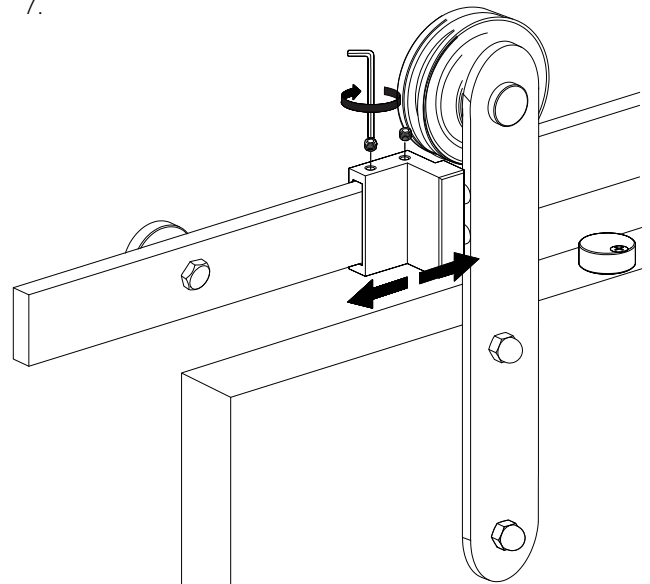


EMILE BARN DOOR HARDWARE INSTALLATION

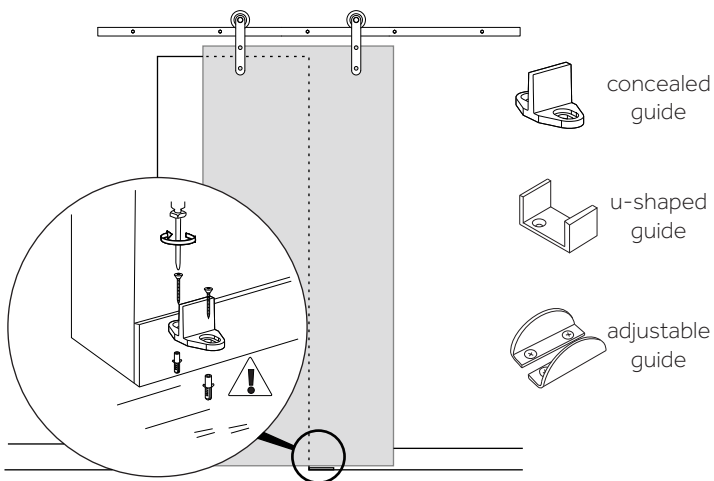
5.



7.



6. Install the door guide. For a door that has been notched on the bottom, use the concealed guide. For a door with standard thickness, use the U-shaped guide. For thicker doors, use the adjustable guide.



8.

