



DELILAH WALL MOUNT KITCHEN FAUCET

BEFORE YOU BEGIN

We recommend consulting a professional if you are unfamiliar with installing plumbing fixtures. Signature Hardware accepts no liability for any damage to the faucet, plumbing, sink, counter top, wall, or for personal injury during installation.

Observe all local plumbing and building codes.

Unpack and inspect the faucet for shipping damage. If any damage is found, contact our Customer Relations team at 1-866-855-2284.

GETTING STARTED

- Ensure that you have gathered all the required materials that are needed for the installation.
- For these instructions, it is assumed that the old faucet has been completely removed and any necessary repairs or modifications to the water supply have been completed.

TOOLS AND MATERIALS:



Plumbers
Tape



Thread
Sealant



Phillips
Screwdriver



Adjustable
Wrench



Drill



Pencil

PLANNING

Use the faucet's PDF specification sheet as a reference when planning your installation. The specification sheet can be found and downloaded from the product page on our website.

Because the faucet specification measurements are approximate and slight variations may occur, we highly recommend performing any rough-in procedures with the faucet on site.

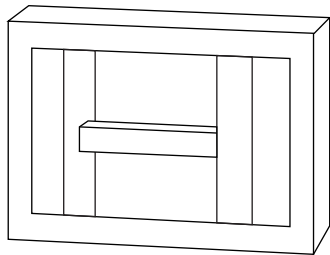


DELILAH WALL MOUNT KITCHEN FAUCET

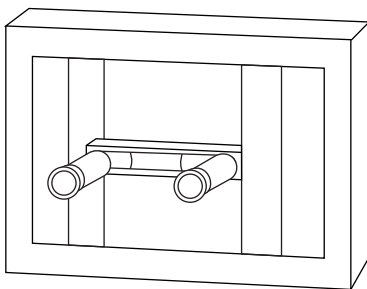
Installation

1. Prepare the in-wall plumbing for faucet installation. 1/2" male inlets will need to be installed 8" apart on-center to make the connection to the faucet.

Important: The provided 1/2" threaded pipe nipple will need to extend 1/2" beyond the finished wall for proper connection. Be sure to consider the total thickness of the finished wall, including tile (if applicable), when calculating measurements.



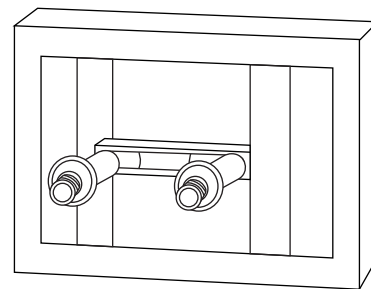
2. Remove the brass nut, rubber cone washer, and lock nut from each of the threaded pipe nipple. Discard them as they are not needed for wall installation. Install each of the provided 1/2" threaded nipples into their prepared male fittings. Apply plumber's tape or thread sealant to the threads before tightening. Tighten firmly using an adjustable wrench.



PROCEED WITH THE CONSTRUCTION OF THE FINISHED WALL. ONCE THE FINISHED WALL HAS BEEN COMPLETED, RESUME FAUCET INSTALLATION.

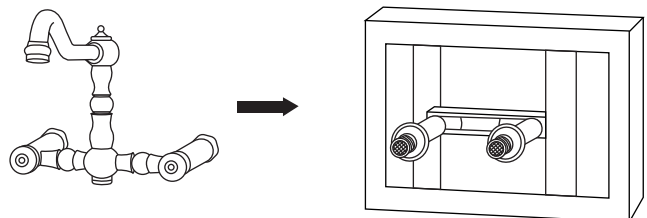
3. Attach the couplers to each of the installed threaded nipples. Apply plumber's tape or thread sealant to the threads before attaching. Hand tighten, then finish tightening using an adjustable wrench.

Tip: Wrap the nuts with a soft cloth before tightening to prevent the adjustable wrench from scratching the plated finish.



4. Insert one of the two provided screen washers into each of the installed couplers. Attach the faucet body by threading each handle base onto the installed couplers. Apply thread sealant or plumber's tape to the threads before attaching. Tighten firmly using an adjustable wrench.

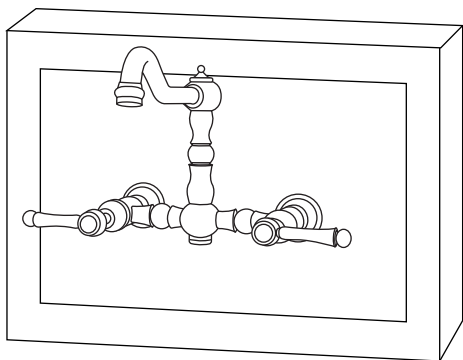
Tip: Wrap the nuts with a soft cloth before tightening to prevent the adjustable wrench from scratching the plated finish.





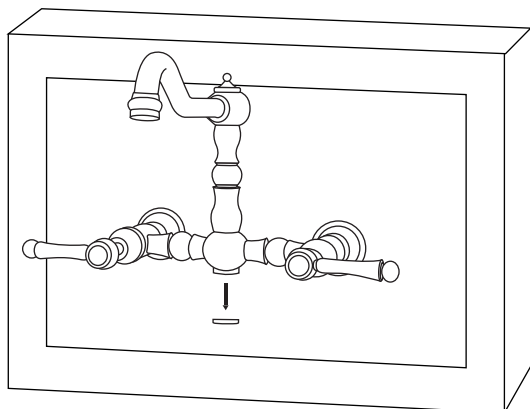
DELILAH WALL MOUNT KITCHEN FAUCET

5. To attach the handles to the faucet, remove the decorative hot and cold indicators from each handle. Slide the handles onto each stem and tighten the screws to secure using a Phillip's screwdriver. Once secure, reinsert the hot and cold indicators.

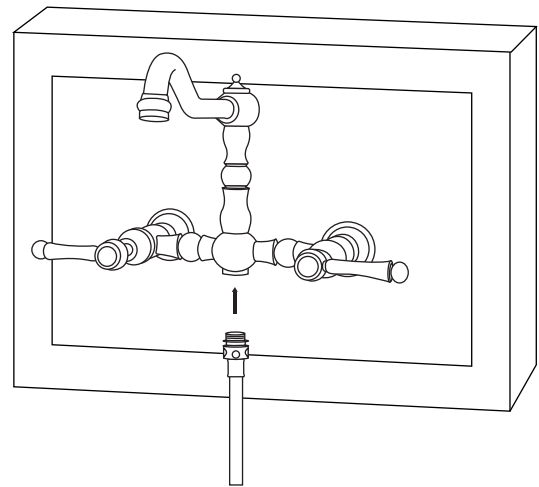


IF A SIDE SPRAYER IS INCLUDED WITH YOUR FAUCET, PROCEED TO STEP 6. IF NOT, PROCEED TO STEP 10.

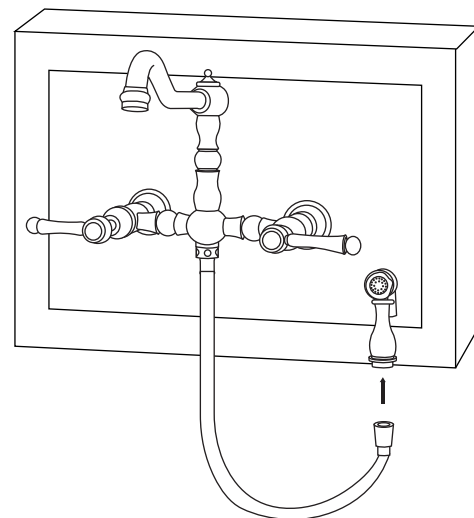
6. To prepare for the installation of the side spray, remove the decorative cover plug from the base of the spout by unthreading it.



7. Once the plug is removed, attach the side spray hose to the outlet. Tighten firmly to ensure a water-tight seal.



8. Attach the side spray to the opposite end of the side spray hose. Insert the provided rubber O-ring into the end of the hose before attaching. Hand tighten the connection firmly.

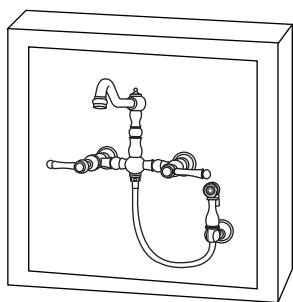




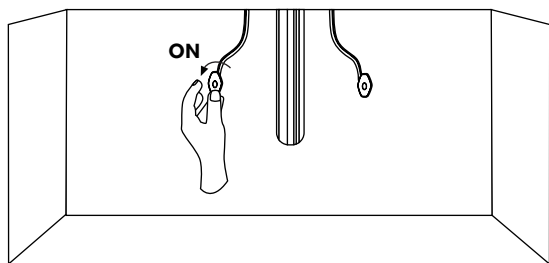
DELILAH WALL MOUNT KITCHEN FAUCET

9. Determine a location to mount the hand shower cradle on the wall. Remove the cradle from its base by unthreading it. Hold the cradle base up to the wall and mark the location of the mounting hole with a pencil. Set the cradle aside and drill a pilot hole at the marked location. Use the provided screw and anchor to secure the cradle base to the wall, then reattach the cradle to the base.

Important: If drilling through tile, you must use a masonry drill bit to avoid cracking the tile.



10. Once installation is complete, turn the main water supply back on from underneath your sink. Check for any leaks underneath.



11. Remove the aerator from the spout and turn the faucet on. Ensure that both hot and cold water are running properly, and check for any leaks. Allow the water to flow for approximately 60 seconds to remove any dust or sediment within the water lines. Reattach the aerator and turn on the sprayer. Allow the sprayer to run for another 60 seconds, and check for any leaks.

