



# CROMPTON VANITY SCONCE INSTALLATION

## BEFORE YOU BEGIN

We recommend consulting a professional if you are unfamiliar with installing lighting fixtures. Signature Hardware accepts no liability for any damage caused, or for personal injury, during installation.

Hardwired lighting fixtures should be installed by a licensed electrician and must be in accordance with local and National Electrical Code (N.E.C) standards.

Observe all local plumbing and building codes.

Unpack and inspect the lighting fixture for shipping damage. If any damage is found, contact our Customer Relations team at 1-866-855-2284.

---

## GETTING STARTED

- Ensure that you have gathered all the required materials that are needed for the installation.
- Before performing any electrical work, ensure that the main power source is shut off to avoid electric shock.

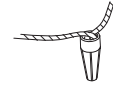
## TOOLS AND MATERIALS:



Phillips  
Screwdriver



Step Ladder



Wire Connector



Safety Glasses



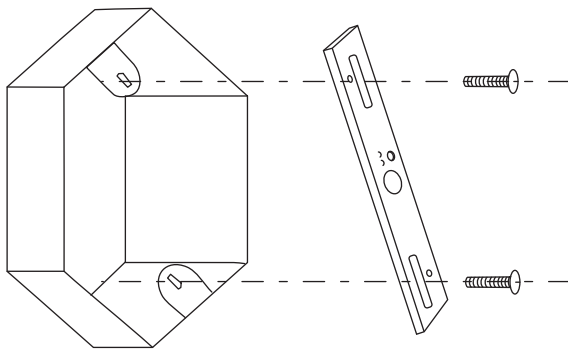
Wrench



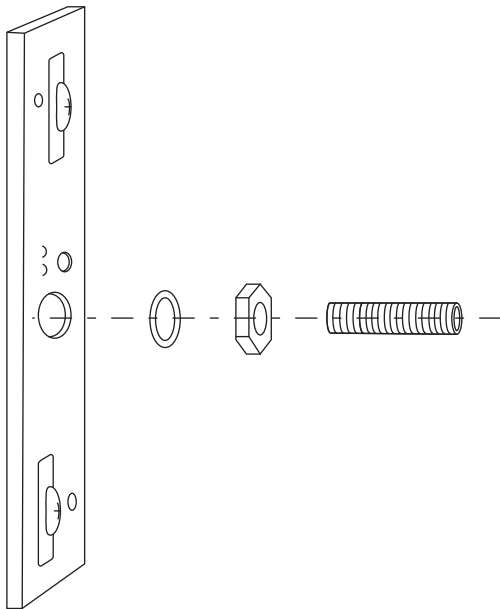
# CROMPTON VANITY SCONCE INSTALLATION

## INSTALLATION

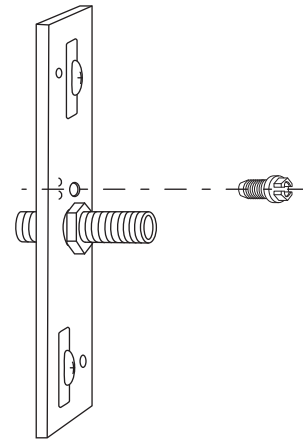
1. Fasten the mounting bar with screws to the outlet box.



2. Thread the nut and lock washer onto the nipple. Then, insert the nipple onto the mounting bar and fasten with the nut.

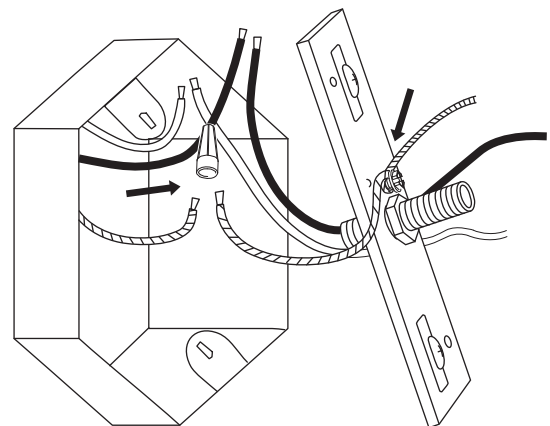


3. Fasten the green grounding screw into the hole with two raised dimples.



4. If supplied with a fixture ground wire, wrap the wire around the green grounding screw. Then, attach the fixture ground wire to the outlet ground wire using a wire connector.

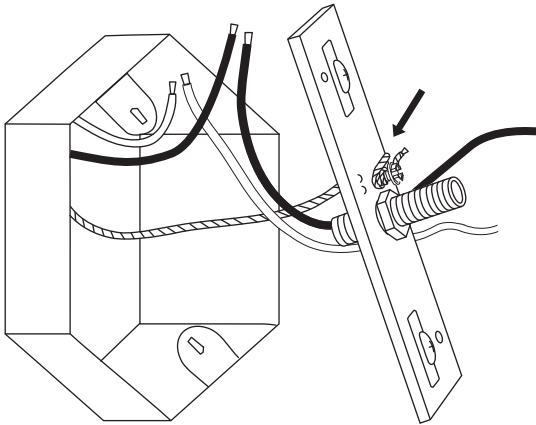
**Note: Make sure to never connect the ground wire to the black or white supply wires.**



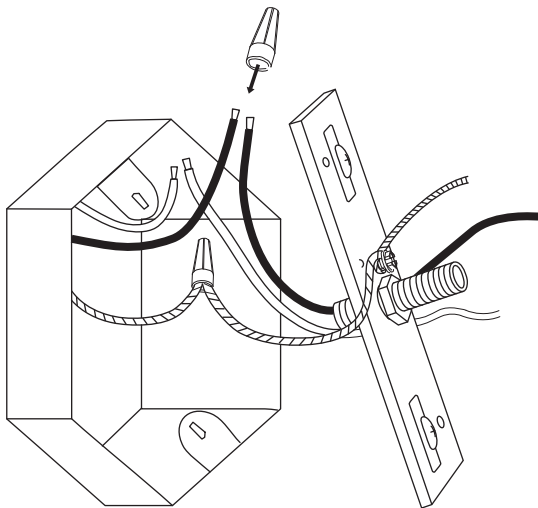


# CROMPTON VANITY SCONCE INSTALLATION

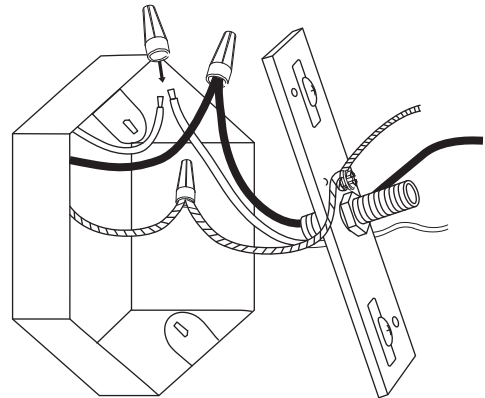
5. If you are not provided a fixture ground wire, tightly wrap the outlet ground wire around the green grounding screw.



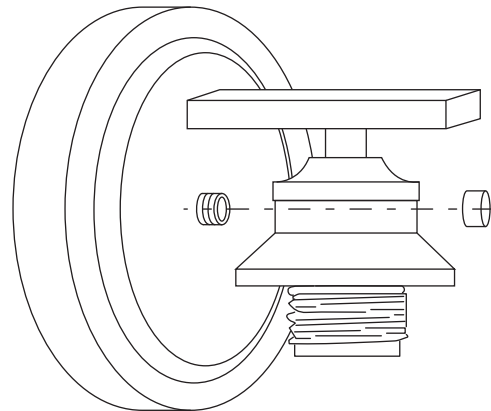
6. Take note of the wire color on your fixture. If the wire is round and smooth, white or gray with a tracer, or brown, gold, or black without a tracer, connect to the black supply wire using a wire connector. Turn the wire connector clockwise until firm.



7. If the wire is square and ridged, white or gray without a tracer, or brown, gold, or black with a tracer, connect to the white supply wire using a wire connector. Turn the wire connector clockwise until firm.



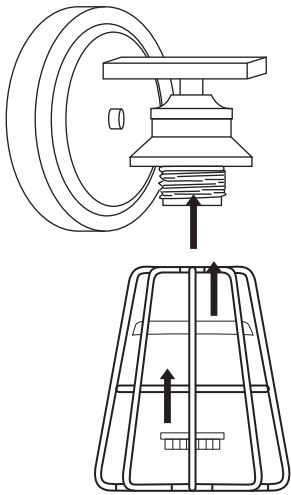
8. Once all the wires are connected, place all wires inside the outlet box. Then, position the face plate allowing the nipple to pop out slightly, in order to fasten the finial.





## CROMPTON VANITY SCONCE INSTALLATION

9. Position the shade and check ring over the socket. Then, use a wrench to tighten the retaining ring into place.



10. Finish the installation by screwing the light bulb into the socket.

