



SKU(s): 904563, 909055, 911179, 917402,  
920046, 925491

# ALLISTER/PASAIA TUB FAUCET INSTALLATION

## BEFORE YOU BEGIN

We recommend consulting a professional if you are unfamiliar with installing plumbing fixtures. Signature Hardware accepts no liability for any damage to the faucet, plumbing, bathtub, floor, or for personal injury during installation.

Observe all local plumbing and building codes.

Unpack and inspect the faucet for shipping damage. If any damage is found, contact our Customer Relations team at 1-866-855-2284.

---

## GETTING STARTED

- Ensure that you have gathered all the required materials that are needed for the installation.
- For these instructions, it is assumed that the old faucet has been completely removed and any necessary repairs or modifications to the water supply have been completed.

## TOOLS AND MATERIALS:



Plumbers  
Tape



Thread  
Sealant



Phillips  
Screwdriver



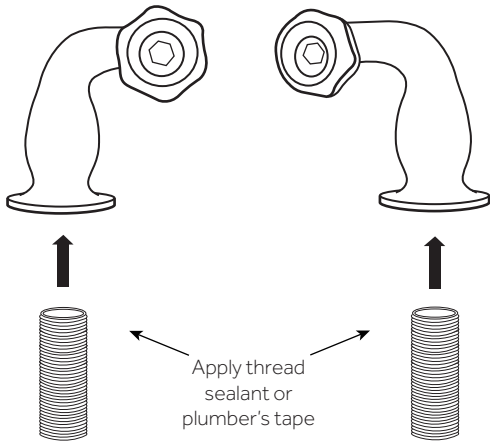
Adjustable  
Wrench



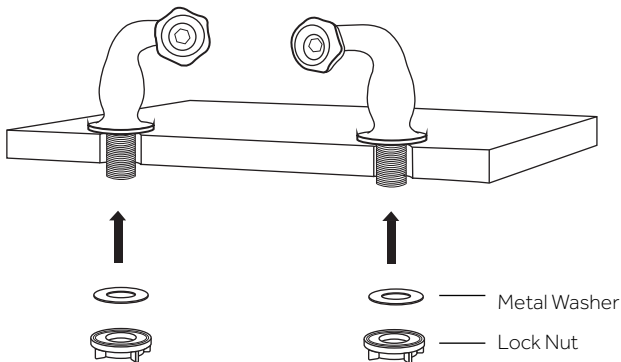
# ALLISTER/PASAIA TUB FAUCET INSTALLATION

## DECK-MOUNT INSTALLATION

1. Attach the provided threaded shanks into the base of each deck coupler, as shown. Apply thread sealant or plumber's tape to the threads before attaching. Tighten firmly.

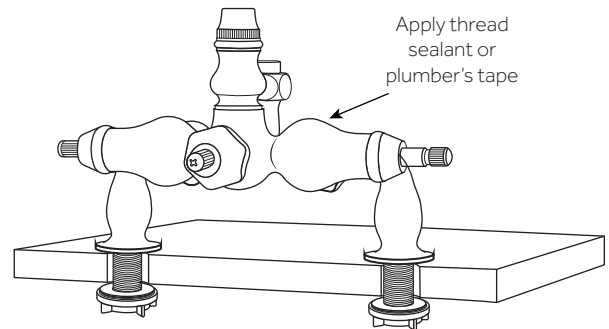


2. Insert each of the deck couplers into their prepared mounting holes. From underneath, slide the metal washer onto each threaded shank, followed by the lock nut. Thread the lock nut onto the shank until hand-tight. Do not fully tighten yet.

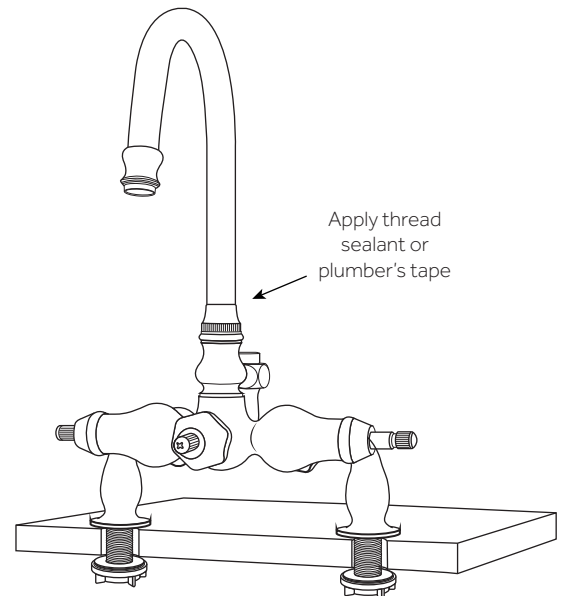


3. Attach the faucet body to the installed deck couplers. Apply thread sealant or plumber's tape to the threads before tightening. Tighten firmly using an adjustable wrench, then finish tightening the lock nuts, securing the faucet to the deck.

**Tip:** Wrap the nuts with a soft cloth before using an adjustable wrench to tighten, to avoid scratching the decorative finish.



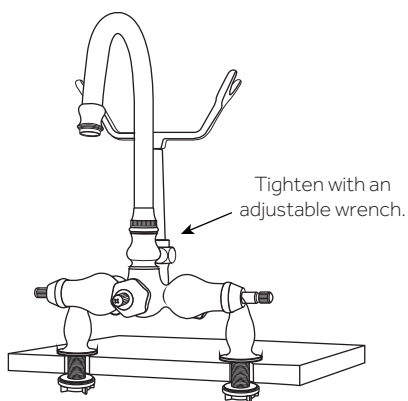
4. Attach the spout to the faucet body by threading it into its outlet, as shown. Apply thread sealant or plumber's tape to the threads before attaching.



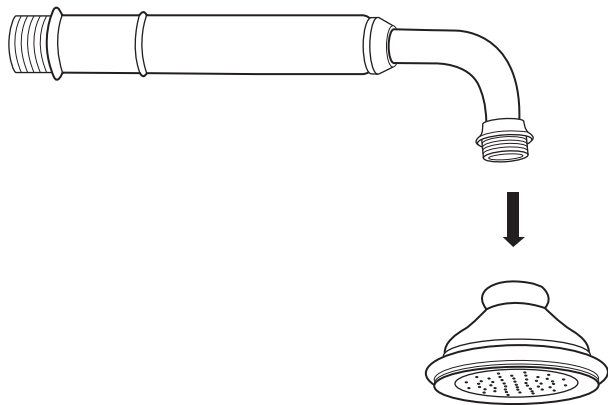


# ALLISTER/PASAIA TUB FAUCET INSTALLATION

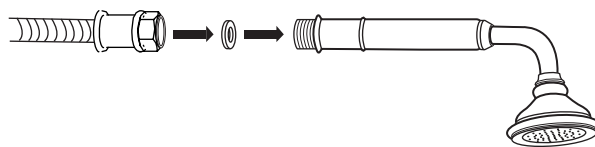
5. Remove the nut and rubber cone washer from the faucet body, located behind the spout. Discard these pieces, as they will not be used. Attach the hand shower cradle by threading it onto this outlet. Ensure that the rubber washer is inserted into the base of the cradle before attaching. Tighten firmly using an adjustable wrench.



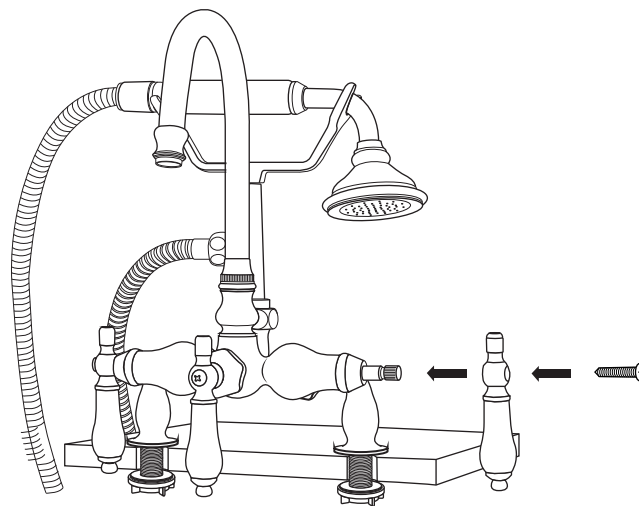
6. Attach the hand shower head to the hand shower handle. Hand tighten firmly.



7. Using the provided flexible hose, attach the hand shower to its outlet on the hand shower cradle. Insert one of the provided rubber washers into each end of the hose before attaching.



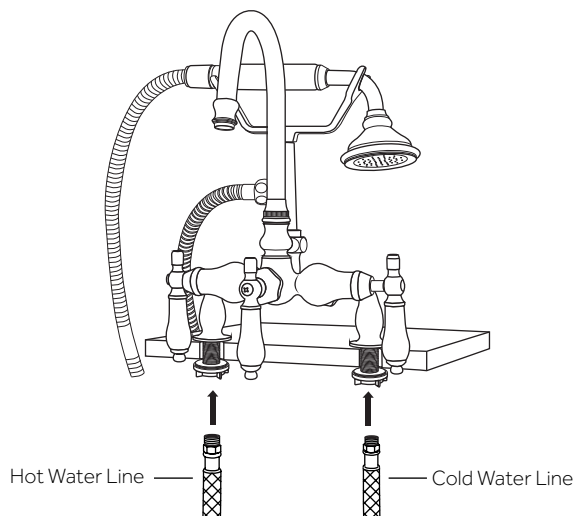
8. To attach the faucet handles, first remove the screw from each valve stem using a phillip's screwdriver. Slide one handle onto each stem, then use the screws to secure.



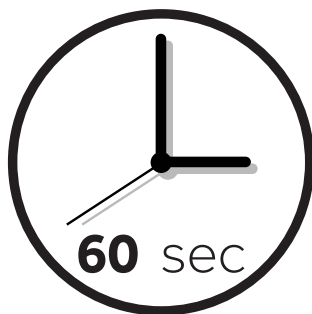


# ALLISTER/PASAIA TUB FAUCET INSTALLATION

9. To complete the installation, connect the water supply lines (not included) to the faucet's inlets.

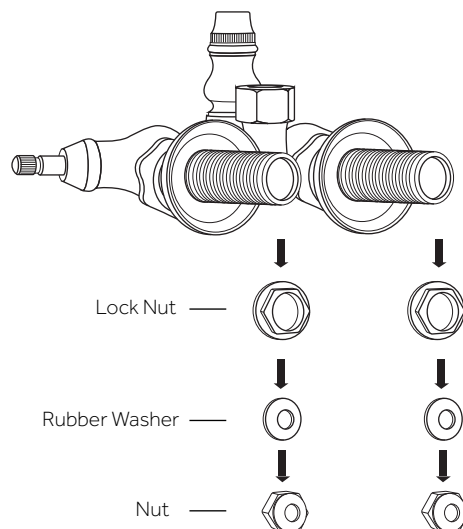


10. Once installation is complete, turn the faucet on for approximately 60 seconds to check for any leaks, and to ensure that hot and cold water are running appropriately. Divert water flow to the hand shower for testing as well.

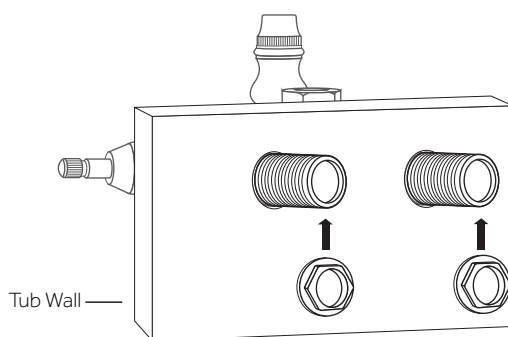


## TUB WALL INSTALLATION

1. Remove the nuts, rubber washers, and lock nuts from each of the faucet's threaded shanks.



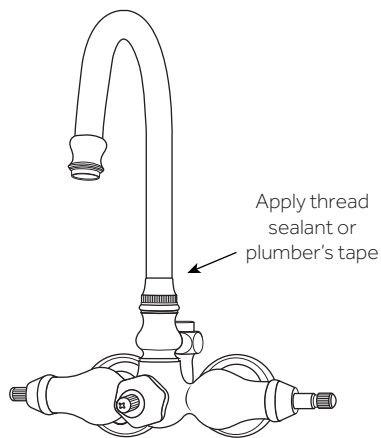
2. Insert the faucet into the wall of the tub in its prepared mounting holes. From behind, thread the lock nuts onto the threaded shanks to secure the faucet to the tub.



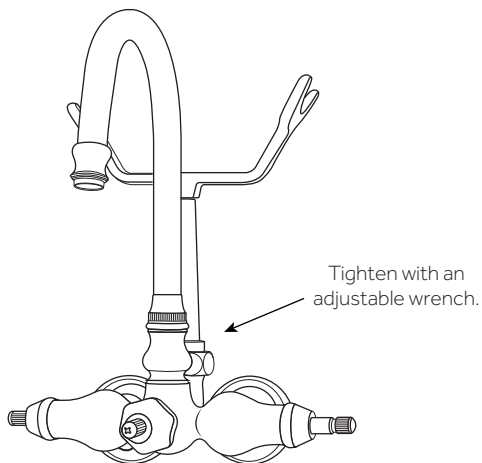


# ALLISTER/PASAIA TUB FAUCET INSTALLATION

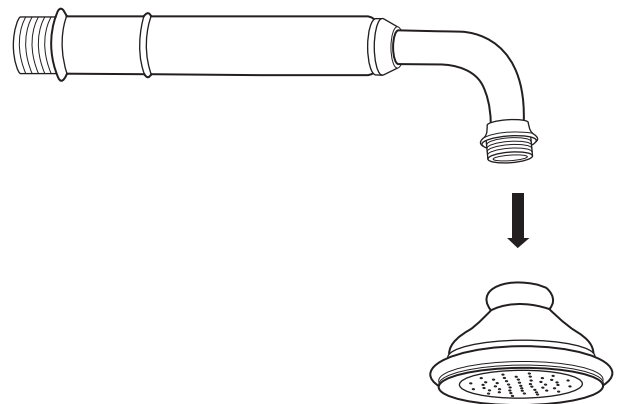
3. Attach the spout to the faucet body by threading it into its outlet, as shown. Apply thread sealant or plumber's tape to the threads before attaching.



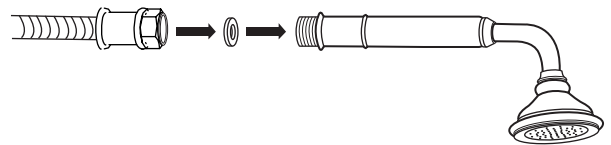
4. Remove the nut and rubber cone washer from the faucet body, located behind the spout. Discard these pieces, as they will not be used. Attach the hand shower cradle by threading it onto this outlet. Ensure that the rubber washer is inserted into the base of the cradle before attaching. Tighten firmly using an adjustable wrench.



5. Attach the hand shower head to the hand shower handle. Hand tighten firmly.



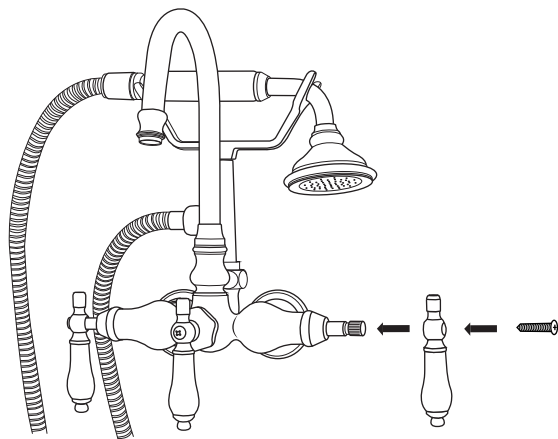
6. Using the provided flexible hose, attach the hand shower to its outlet on the hand shower cradle. Insert one of the provided rubber washers into each end of the hose before attaching.



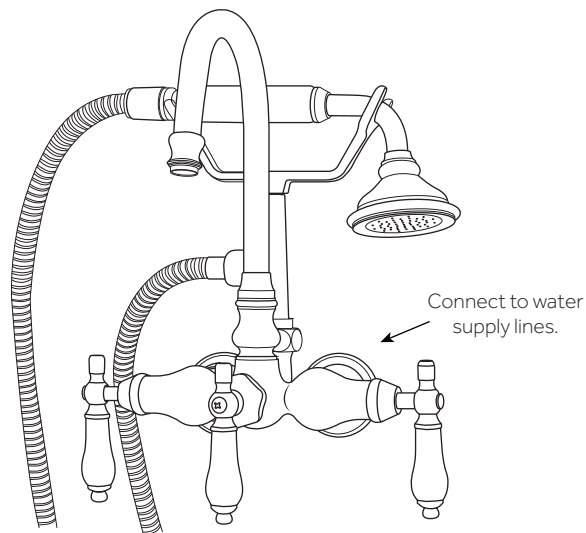


# ALLISTER/PASAIA TUB FAUCET INSTALLATION

7. To attach the faucet handles, first remove the screw from each valve stem using a phillip's screwdriver. Slide one handle onto each stem, then use the screws to secure.



8. To complete the installation, connect the water supply lines (not included) to the faucet's inlets.



9. Once installation is complete, turn the faucet on for approximately 60 seconds to check for any leaks, and to ensure that hot and cold water are running appropriately. Divert water flow to the hand shower for testing as well.

