

ACRYLIC TUB WITH INTEGRAL DRAIN

INSTALLATION INSTRUCTIONS

BEFORE YOU BEGIN

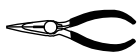
We recommend consulting a professional if you are unfamiliar with installing bathroom fixtures and plumbing. Signature Hardware accepts no liability for any damage to the floor, walls, plumbing, or personal injury during installation.

Observe all local plumbing and building codes.

Unpack and inspect the tub for damage. If any damage is found, contact our Customer Relations team at 1-866-855-2284.



IMPORTANT: If you purchased your tub with a Quick Connect Drop-In Drain Kit, make sure to reference page 9 throughout your installation.



Long-nose Pliers



1-3/4" Screws
(x5)

GETTING STARTED

- Ensure that you have gathered all of the required materials that are needed for the installation.
- Ensure that your bathroom floor is adequately supported, and the finished floor is level.
- Keep the plumbing connections around the tub easily accessible for any future maintenance that may be necessary.

PLANNING

Use the tub's PDF specification sheet as a reference when planning your layout. The specification sheet can be found and downloaded from the product page on our website.

Because the tub specification measurements are approximate and slight variations may occur, we highly recommend performing any rough-in procedures with the faucet on site. For rough-in information, go to the appropriate drain installation section.

TOOLS AND MATERIALS:



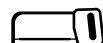
Marker



Tape Measure



Level



Metal Blade
Hacksaw



Damp Cloth



Adjustable
Wrench



Neutral Cure
Silicone Sealant

REVISED 04/22/2019

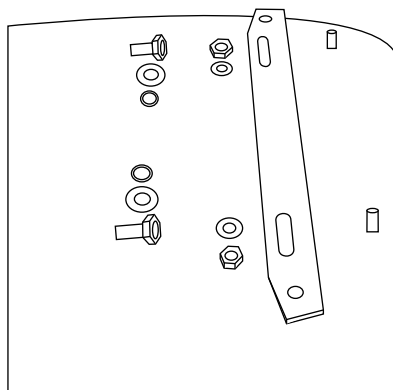
ACRYLIC TUB WITH INTEGRAL DRAIN

INSTALLATION INSTRUCTIONS

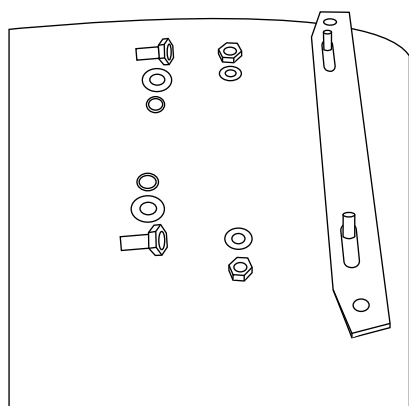
INSTALLATION

STEP 1: ATTACHING THE FEET FEET WITH MOUNTING BAR

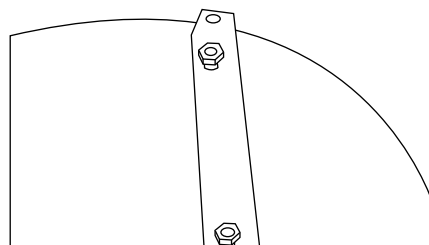
1. Carefully lay the tub upside down on padding or other soft surface so that the bottom of the tub is facing up. Remove the washers and nuts from the threaded studs on the bottom of the tub.



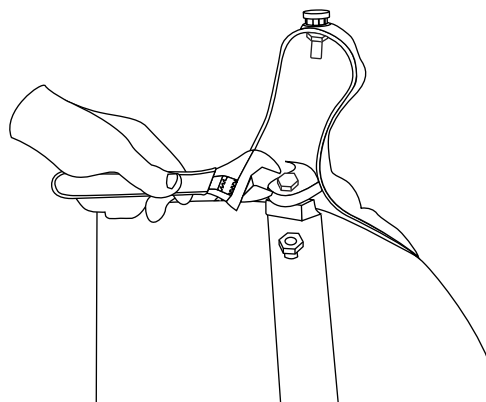
2. Place the provided metal bars over the threaded studs.



3. Thread a washer and nut onto each stud. Do not fully tighten the nuts; the bar needs to be able to slide back and forth to allow adjustment until the foot is attached.



4. Fit the foot to the metal bar and tub. Secure the foot to the end of the bar with the flat washer, locking washer, and bolt.

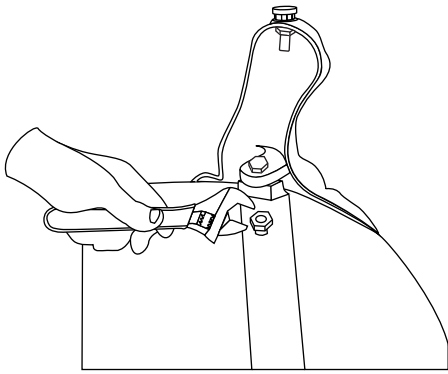


ACRYLIC TUB WITH INTEGRAL DRAIN

INSTALLATION INSTRUCTIONS

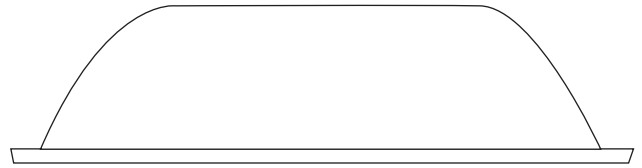
5. Once the feet are in position and adjusted appropriately, tighten the nuts that were used to secure the bar to the bottom of the tub.

Important: Do not overtighten. Overtightening could strip the bolt and/or crack the tub body.

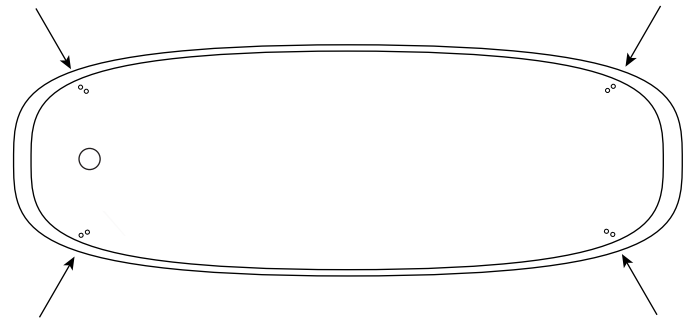


FEET WITHOUT MOUNTING BAR

1. Carefully lay the tub upside down on padding or other soft surface so that the bottom of the tub is facing up.



2. On the tub body, locate each of the mounting holes for the feet. If the feet contain letters, match the letters to the corresponding mounting location on the tub.

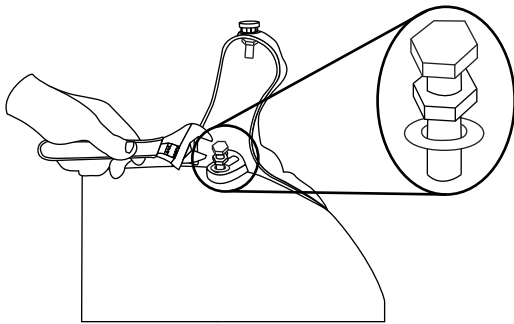


ACRYLIC TUB WITH INTEGRAL DRAIN

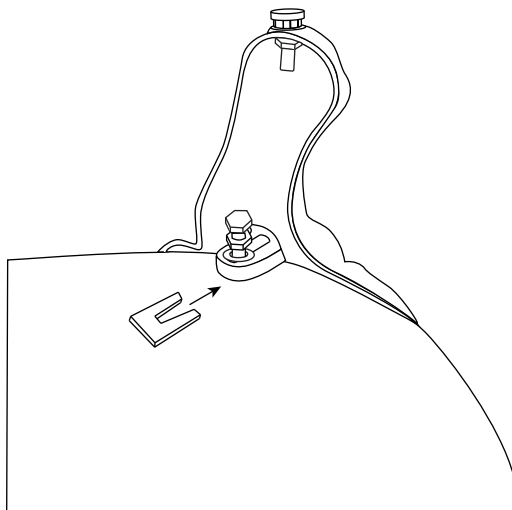
INSTALLATION INSTRUCTIONS

3. Use the provided hardware to attach each foot to the tub. Thread the lock nut onto each mounting bolt, followed by the metal washer. Tighten each bolt firmly with an adjustable wrench.

Important: Do not to overtighten. Overtightening could strip the bolt and/or crack the tub body.

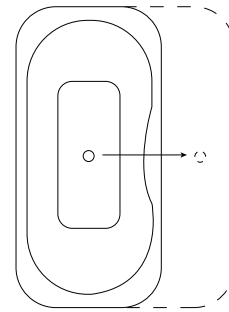


4. Small gaps between the feet and tub are normal, however, plastic or wood shims can be inserted between the tub and the foot's mounting hardware to accommodate. Adjust the shim and locknut until you reach the desired look.

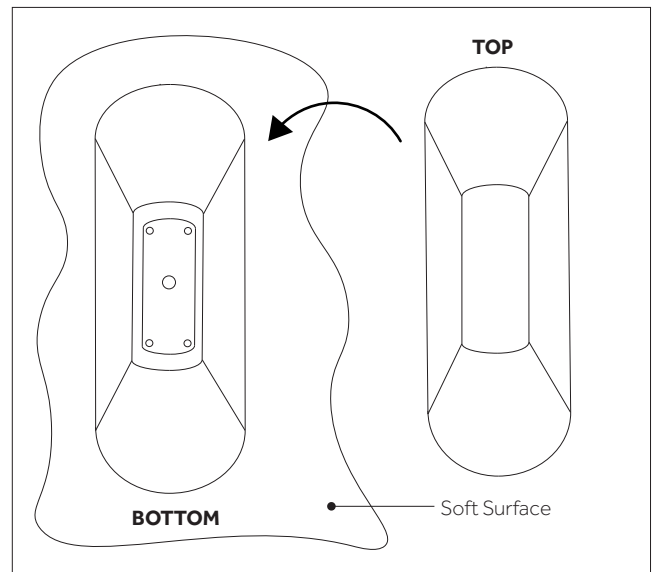


INSTALLATION WITH UNDERFLOOR ACCESS

1. Set the tub in the desired location and mark the drain hole location on the floor. Then, move the tub away from the desired installation location so that the plumbing can be installed. Leave a 2 1/4" diameter hole for the tailpiece to go through. This will ensure the supplied decorative floor flange will cover the opening.



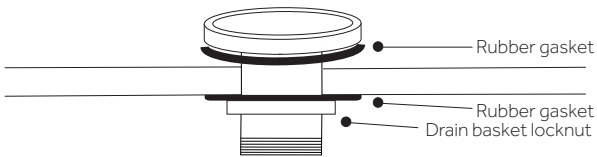
2. Turn bathtub upside down and rest it on padding or other soft surface to prevent scratching. Use caution when turning the bathtub upside down, as the product may be heavy. Seek assistance if necessary to avoid injury.



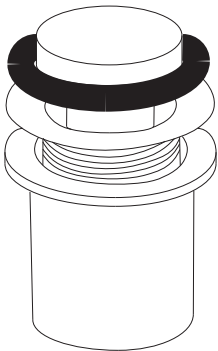
ACRYLIC TUB WITH INTEGRAL DRAIN

INSTALLATION INSTRUCTIONS

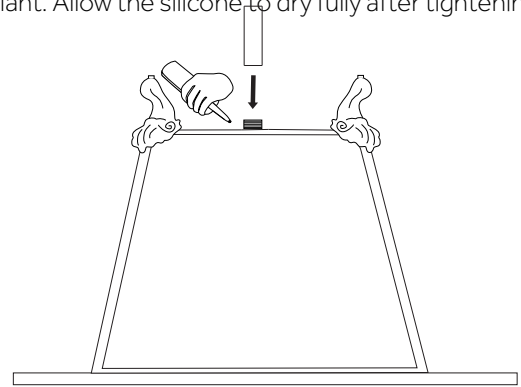
3. Install the drain assembly as shown below. Apply a small amount of silicone to the exposed threads of the drain basket to act as a sealant when installing the bottom portion of the assembly.



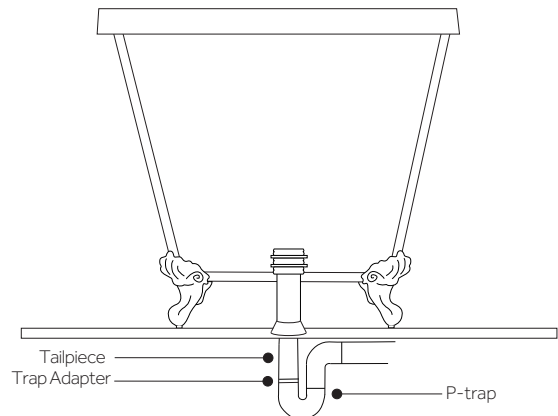
4. Screw the drain's pop-up mechanism onto the drain cap. Then, install the assembly into the tub's pre-installed drain basket.



5. Attach the decorative tailpiece to the exposed threads on the bottom of the tub. Slide the nylon washer onto the tailpiece, butting flat side of washer up to tub drain threads. Apply a small amount of silicone to the tub drain threads and lock nut to act as sealant. Allow the silicone to dry fully after tightening.



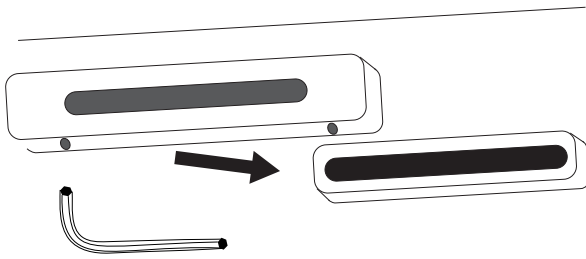
6. Depending on the height of your under floor plumbing, cut the appropriate length off the decorative tailpiece to ensure a proper connection into the P-trap. Use a trap adapter to install the tailpiece into the P-trap.



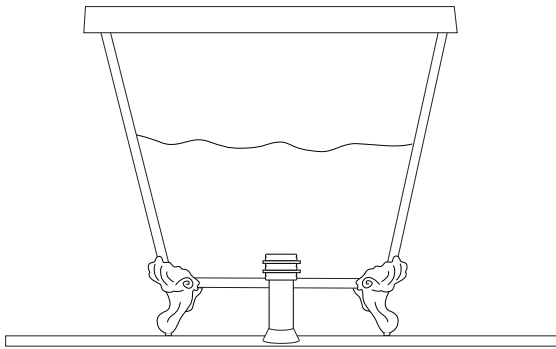
ACRYLIC TUB WITH INTEGRAL DRAIN

INSTALLATION INSTRUCTIONS

7. If included, install the decorative cover plate for the overflow. Set the cover plate over the opening, then tighten the two set screws located on the bottom of the plate. The set screws can be independently adjusted in order to achieve the desired look.



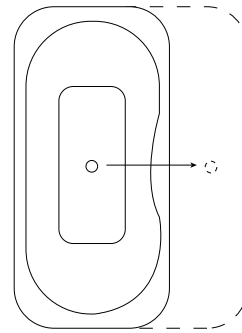
8. Fill the tub with water to check for any leaks from the connections. Verify that the drain is working properly.



INSTALLATION: WITHOUT UNDERFLOOR ACCESS / SLAB FLOOR INSTALLATION

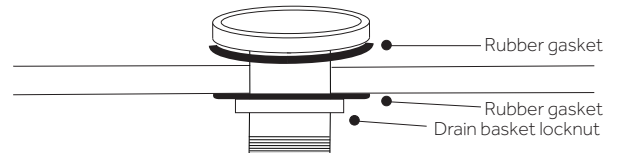
Important: We recommend using the optional quick connect drain kit for installation without underfloor access.

1. Set the tub in the desired location and mark the drain hole location on the floor. If needed, move the tub away from the desired installation location so that the plumbing can be installed. Leave a 2 1/4" diameter hole for the tailpiece to go through. This will ensure the supplied decorative floor flange will cover the opening.



2. Install plumbing beneath floor level. Install trap adapter into plumbing beneath floor level. This step may require a professional.

3. Install the drain assembly as shown below. Apply a small amount of silicone to the exposed threads of the drain basket to act as a sealant when installing the bottom portion of the assembly.

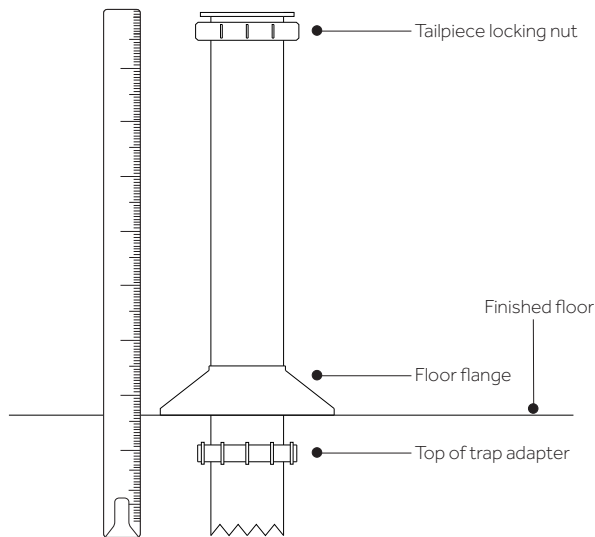


ACRYLIC TUB WITH INTEGRAL DRAIN

INSTALLATION INSTRUCTIONS

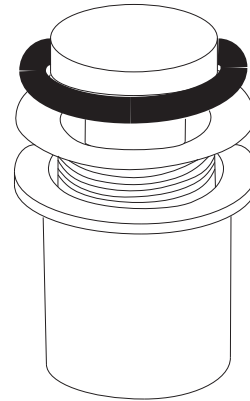
4. Measure distance from bottom of tub drain threads down into proper installation depth for trap adapter. Tailpiece should extend into trap adapter approx. 2-3" to ensure proper installation.

Note: Depending on the height of your under floor plumbing, you may need to trim the tailpiece to the appropriate length.

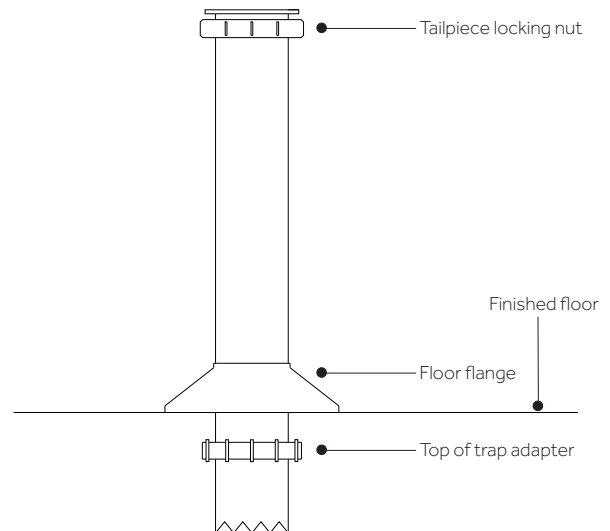


5. Move tub away from final location to complete floor installation.

6. Screw the drain's pop-up mechanism onto the drain cap. Then, install the assembly into the tub's pre-installed drain basket.



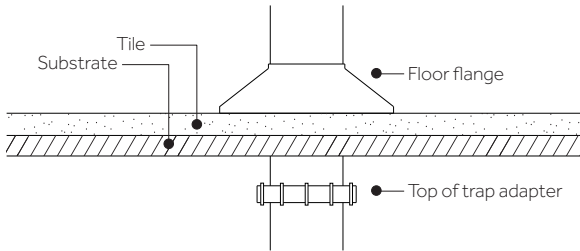
7. Install decorative tailpiece into trap adapter. Be sure to install tailpiece lock nut and floor flange before inserting tailpiece into trap adapter. This will allow tailpiece to remain above the finished floor, as a rough in.



ACRYLIC TUB WITH INTEGRAL DRAIN

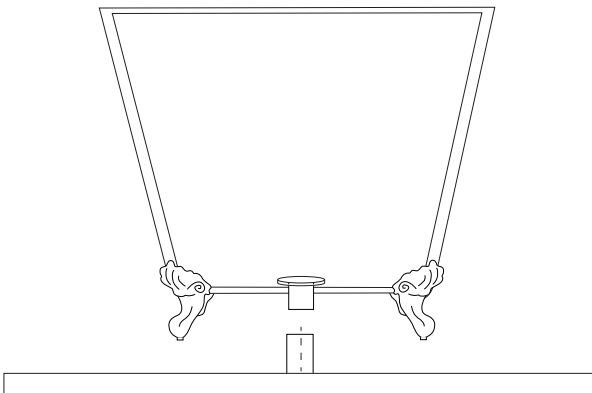
INSTALLATION INSTRUCTIONS

8. Finish floor installation.

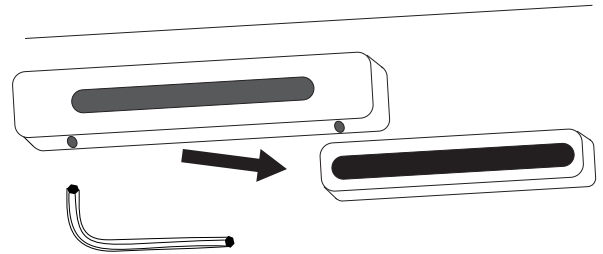


9. Center the tub directly over the tailpiece rough-in. Install nylon washer onto tailpiece flange, butting the flat side of the washer up to the tub drain threads. Apply a small amount of silicone to the tub drain threads to act as a sealant. With nylon washer installed, thread the tailpiece lock nut by hand onto tub drain threads. Use adjustable wrench to finish tightening firmly.

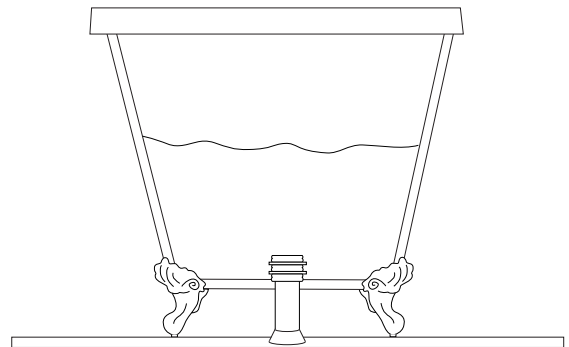
Tip: You may unscrew the pop-up mechanism and drain cover to get a better view of the tailpiece rough-in, above floor level.



10. If included, install the decorative cover plate for the overflow. Set the cover plate over the opening, then tighten the two set screws located on the bottom of the plate. The set screws can be independently adjusted in order to achieve the desired



11. Fill the tub with water to check for any leaks from the connections. Verify that the drain is working properly.

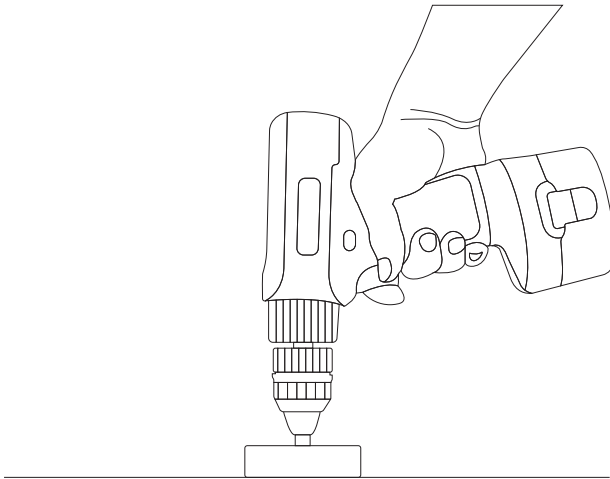


ACRYLIC TUB WITH INTEGRAL DRAIN

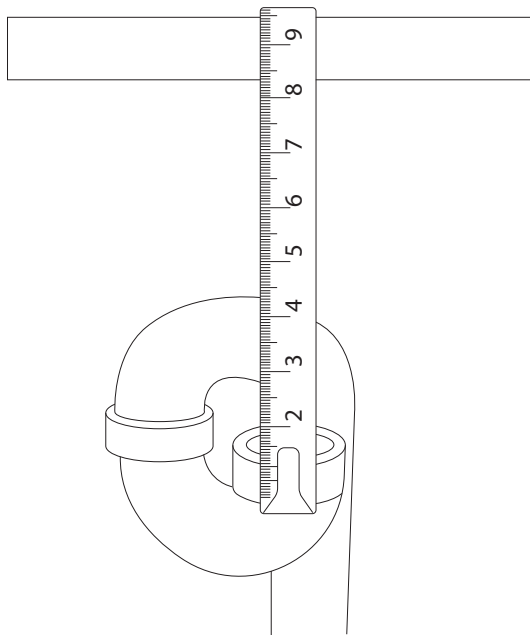
INSTALLATION INSTRUCTIONS

INSTALLATION WITH QUICK CONNECT DRAIN

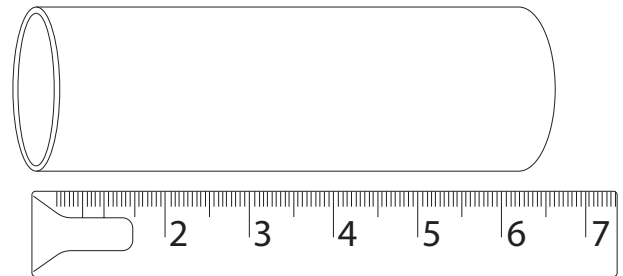
1. Drill a 4" diameter hole in the sub floor where the drain will be installed.



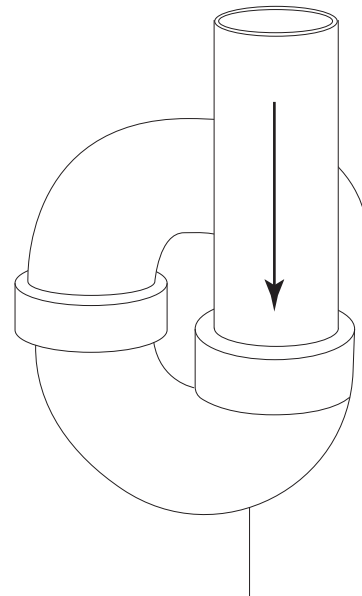
2. Measure the distance from the inside of the p-trap to the top of the sub floor (p-trap not included).



3. Cut the provided 1 ½" PVC pipe 3" shorter than the distance between the floor and the p-trap (measurement taken in step two).



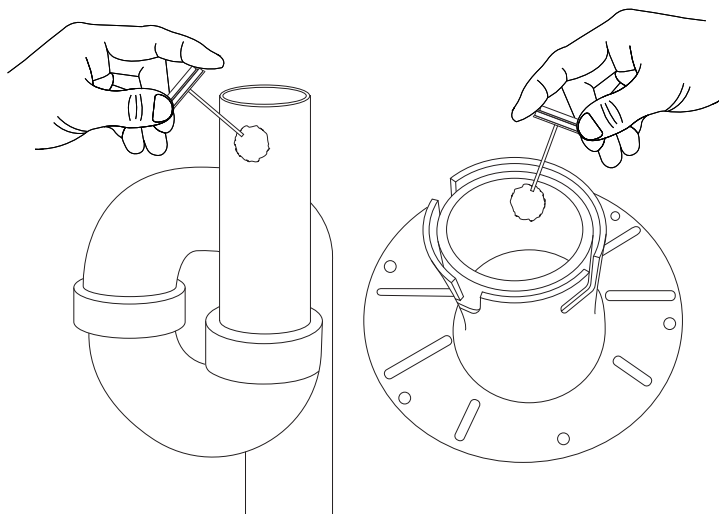
4. Apply PVC primer and cement to the outside of the PVC pipe and to the inside of the p-trap, per manufacturer instructions. Insert the pipe firmly into the p-trap until cement is bonded.



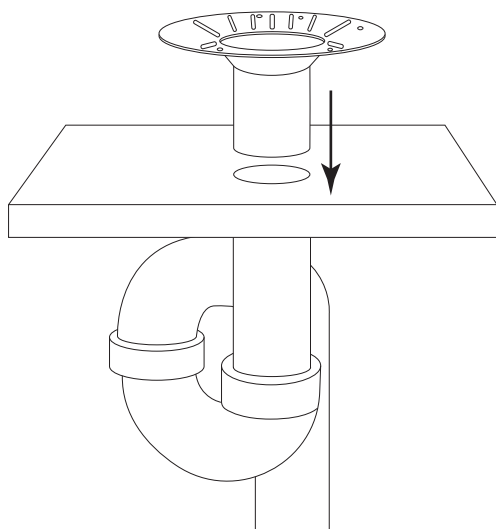
ACRYLIC TUB WITH INTEGRAL DRAIN

INSTALLATION INSTRUCTIONS

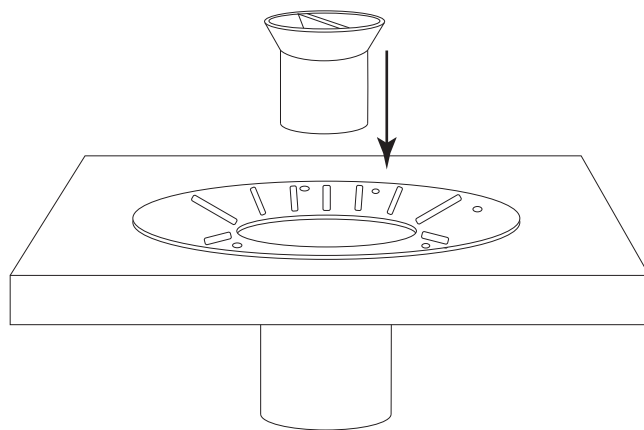
5. Apply PVC primer and cement to the outside of the PVC pipe and to the inside of the drop-in drain insert.



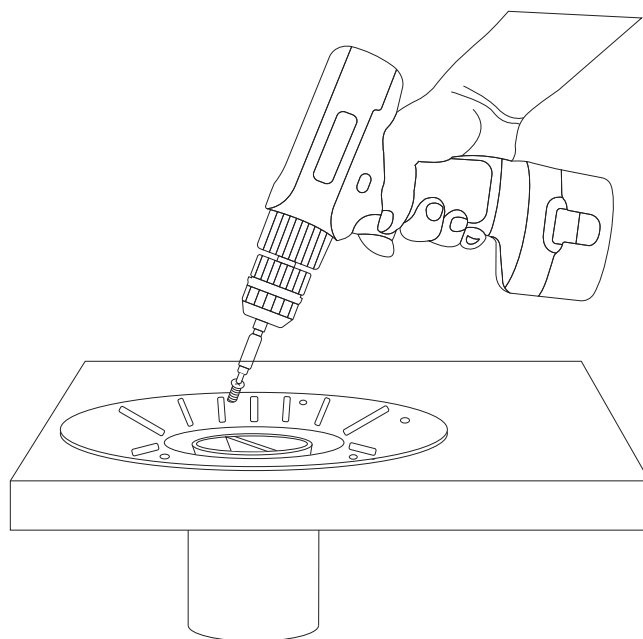
6. Slide the drop-in drain onto the PVC pipe, using a twisting motion to ensure proper cement bond, apply pressure until the cement is fully set. Ensure that the rim of the drop-in drain sits flush on the sub floor. Act quickly before cement sets.



7. Insert the drain plug into the drop-in drain, if not already inserted.



8. Turn the drain clockwise to lock into place, then secure the drain to the sub floor with screws.

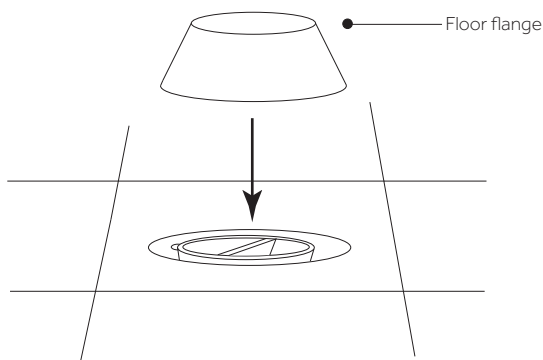


ACRYLIC TUB WITH INTEGRAL DRAIN

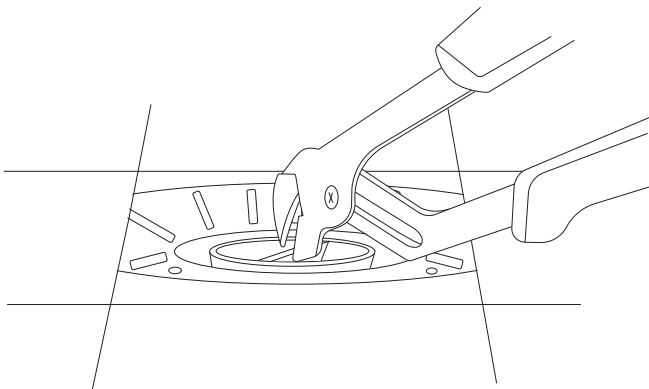
INSTALLATION INSTRUCTIONS

9. Install the flooring surface, such as tile, leaving an opening around the drain as shown.

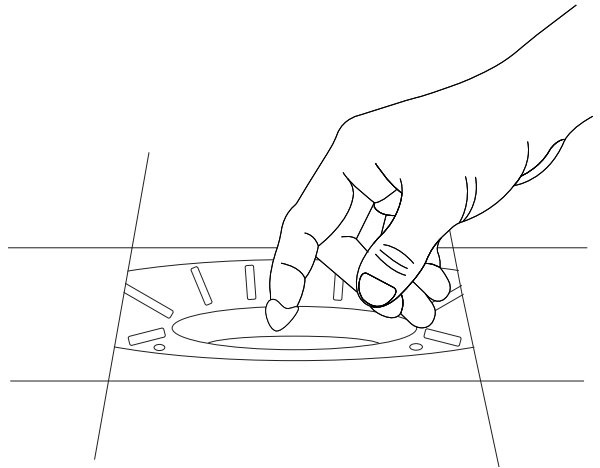
Note: If you are installing a decorative tail piece and floor flange, install the tile and leave an opening that is 2 1/4" diameter wide directly above the drain plug to ensure the floor flange covers the hole.



10. Remove the drain plug with a pair of long nose pliers.

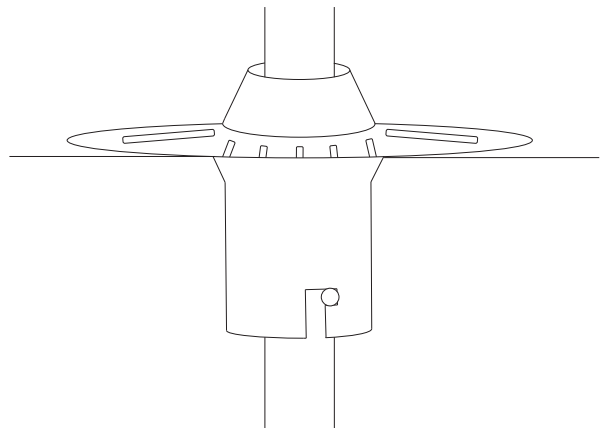


11. Once ready for tub installation, apply the provided lubricant to the rubber portion of the inside of the drain.



12. Affix the appropriate tail piece to the waste and overflow. Ensure the measurement between the base of the drain and the p-trap will accommodate the tail piece. **Do not cut the brass tail piece that is included with the drop-in drain kit.**

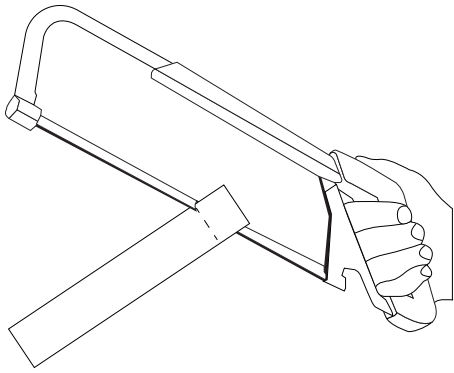
Note: If installing a freestanding tub with an exposed drain and overflow, use the tail piece provided with the tub's drain rather than those provided with the drop-in drain.



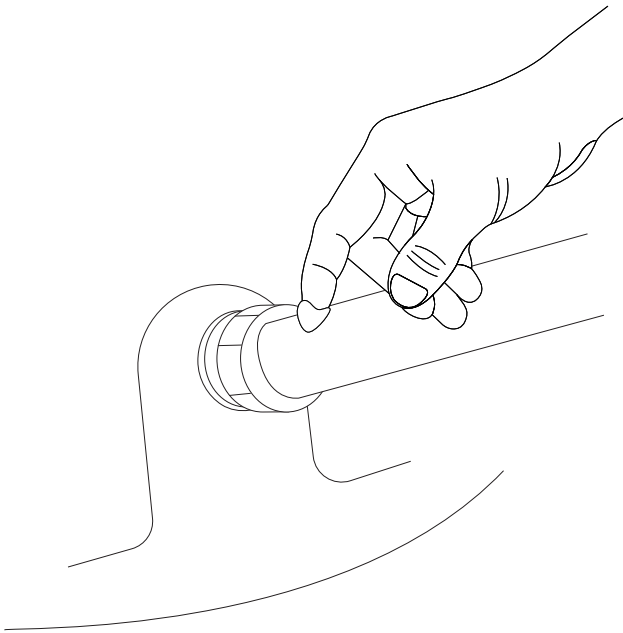
ACRYLIC TUB WITH INTEGRAL DRAIN

INSTALLATION INSTRUCTIONS

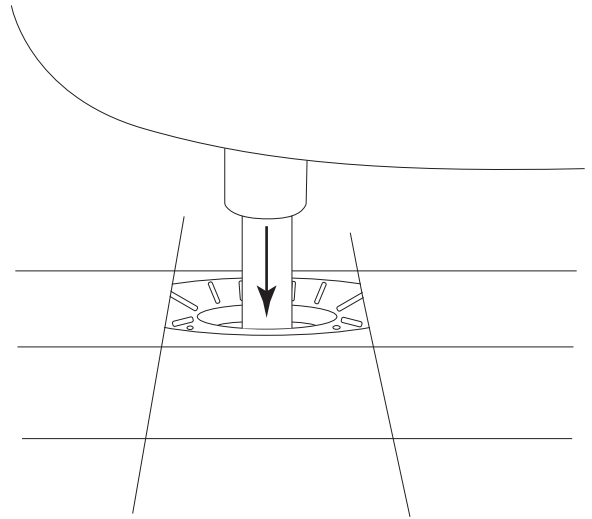
Optional: If installing a separately purchased tail piece and floor flange, measure and cut the 12" tail piece to length by measuring from tub drain connection. Make sure the measurement extends 2" past the bottom of the drop-in drain fitting.



13. Apply the provided lubricant to the entire tail piece being used. Position the bathtub so that the tail piece is in line with the drop-in drain.



14. With caution, slowly drop the tub into position, inserting the tail piece into the drop-in drain.



ACRYLIC TUB WITH INTEGRAL DRAIN

INSTALLATION INSTRUCTIONS

CLEANING AND MAINTENANCE

Wash your tub using a gentle soap, such as dish washing liquid, and warm water. Do not use any abrasive cleaning pads or materials. We recommend the use of a soft sponge or microfiber washcloth. Vinegar can be used to remove hard water buildup and mildew. Rinse with warm water and dry with a clean, soft cloth. To maintain the glossy tub finish, we recommend buffing your tub every three months with white polishing compound.

SCRATCH REMOVAL

1. Using a damp sponge, wash the area with warm water and dish washing liquid. Rinse thoroughly with warm water.
2. Do not use any type of abrasive cleaning pads or chemicals. Read the labels on your cleaners to be sure they are gentle enough to be used on your acrylic tub.
3. Apply circular, even strokes to the scratched area using dampened 800 and 1200 grit sandpaper.
4. Wipe the area clean with a damp sponge and rinse thoroughly.
5. Apply an acrylic polishing compound and water with a soft, clean cloth. Rub in a circular motion to polish and buff the area.
6. Wipe off any excess residue and rinse the tub with warm water. Dry the surface with a clean, soft cloth.