



ACRYLIC ALCOVE TUB INSTALLATION INSTRUCTIONS

IMPORTANT SAFETY INSTRUCTIONS

⚠️ RETAIN THIS INSTALLATION MANUAL FOR CONSUMER USE. READ ENTIRE MANUAL CAREFULLY AND COMPLETELY BEFORE INSTALLATION. FOR INSTALLATION QUESTIONS OR CONCERNS, PLEASE CALL CUSTOMER RELATIONS AT 1-866-855-2284.

⚠️ FAILURE TO FOLLOW ALL INSTRUCTIONS IN THIS MANUAL WILL RESULT IN YOUR ASSUMPTION OF LIABILITY, WILL VOID WARRANTY, AND CAN RESULT IN PRODUCT DAMAGE OR PERSONAL INJURY.

⚠️ THIS PRODUCT IS DESIGNED TO BE INSTALLED BY A LICENSED PROFESSIONAL. INSTALLERS ASSUME ALL LIABILITY FOR CORRECT INSTALLATION PROCEDURES.

⚠️ RISK OF INJURY AND DROWNING:

People using medications and/or having adverse medical history should consult a physician before using this product.

Do not permit children to use this product unsupervised.

Do not overfill the tub before entering. Entering the tub when filled more than $\frac{2}{3}$ can cause overflow and slippery conditions. Exercise caution when entering and exiting.

⚠️ This product should be used only for its intended purpose as described in this manual.

⚠️ This product is intended for indoor residential use only.

GETTING STARTED

Observe all local plumbing and building codes.

Refer to the product's specification sheet for all rough-in dimensions and information. However, it is highly recommended that all rough-in procedures are performed with the tub on-site.

Handle the tub by its shell only. Do not lift the tub by its plumbing at any time.

Unpack and inspect the product for shipping damage. If any damage is found, do not install. Contact our Customer Relations team at 1-866-855-2284. Do not discard carton or packaging until inspection is complete.

Any damages or defects to the tub finish claimed after installation is excluded from the warranty.

Prior to installation and before enclosing with wallboard, tile, etc., the bath must be filled with water and operated to check for leaks that may have resulted from shipping damage or mishandling.

It is the responsibility of the installer to thoroughly test the tub prior to completing installation. Place the tub on a level surface, ensure drain is sealed, and fill the tub with water to the bottom of the overflow. Allow water to sit in the tub for at least 5 minutes as a static test. Visually inspect all joints for leaks. Do not install the tub if any leaks are detected.

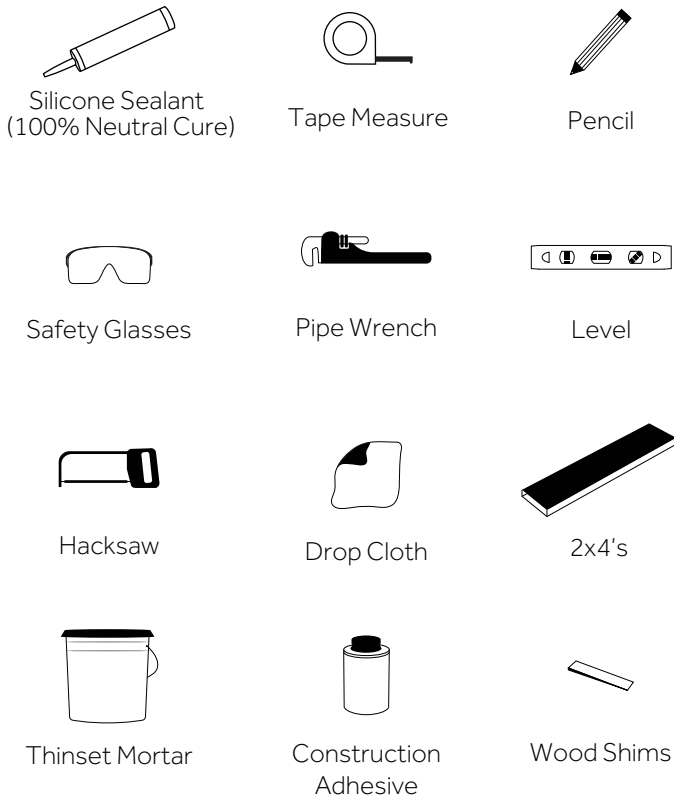
The variety of installations for this tub may require framing procedures other than those shown in this manual.

Locate studs as required. Ensure rough-in dimensions are proper, plumb, and square.



ACRYLIC ALCOVE TUB INSTALLATION INSTRUCTIONS

TOOLS AND MATERIALS:



FRAMING & INSTALLATION

Structural measurements should be verified against the actual tub received to ensure a proper fit.

Ensure that the floor is level and can support a load of 80lbs. per square foot. An uneven floor may impede proper installation of the tub.

Clean the installation area of any debris or trash.

Locate studs as needed. Ensure rough-in dimensions are proper, plumb, and square.

This tub contains a self-leveling base. All sides of the base must remain in contact with the floor in order for the tub to drain properly. If there are any gaps between the leveling base and the floor, shims or mortar must be used for proper installation.

1. Position the tub into the installation opening and level the deck in both directions, shimming the base of the tub if necessary. Mark the final position of the underside of the deck by tracing a line onto the studs (Figure 1).
2. Remove the tub and attach a 1x4 stringer to the studs, with the top of the stringer touching the traced line. Never support the tub by its deck lip or stringers (Figure 2).
3. Install drain components to the tub following the drain installation instructions. Note that this requires a cutout in the floor. Before replacing your tub for final installation, a 11"x12" floor opening is required for the 1½" drain and waste overflow kit. The drain/overflow of the tub extends below the bottom of the bath.

The bath must be supported along its entire bottom. Do not remove the foam base and padding from the bottom of the tub. Use 1½" to 2" of mortar as bedding material (do not use sand or foam). After the mortar has been poured, and before it sets, position the tub within recess until the rim is leveled against the stringers.



ACRYLIC ALCOVE TUB INSTALLATION INSTRUCTIONS

Figure 1 - Stringer Installation

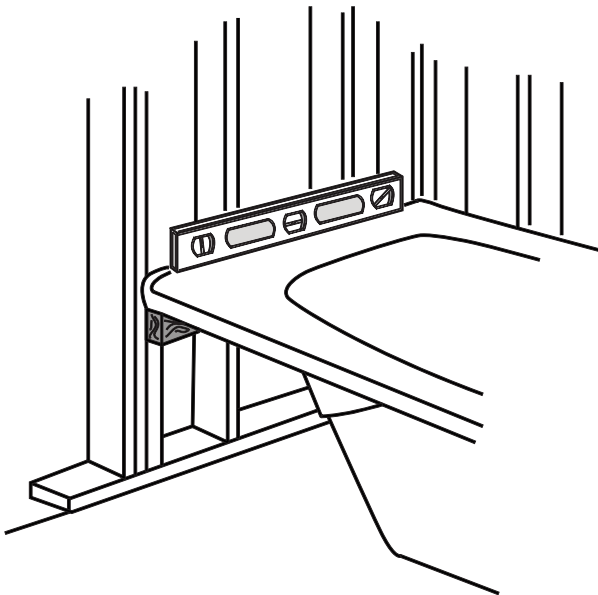
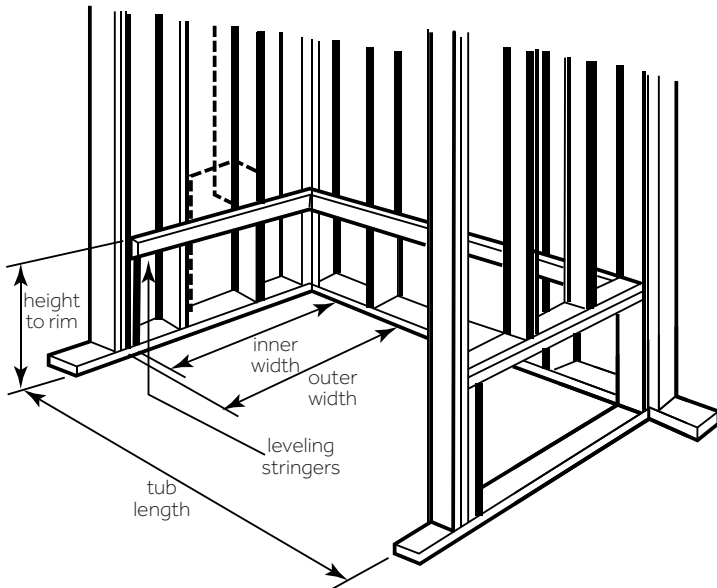
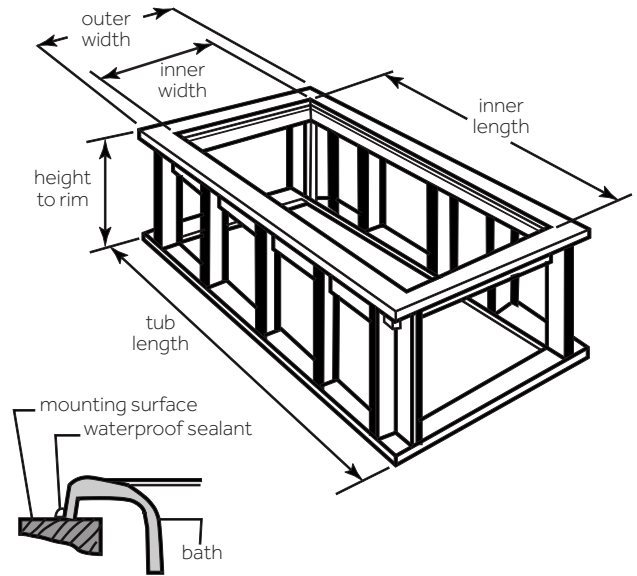


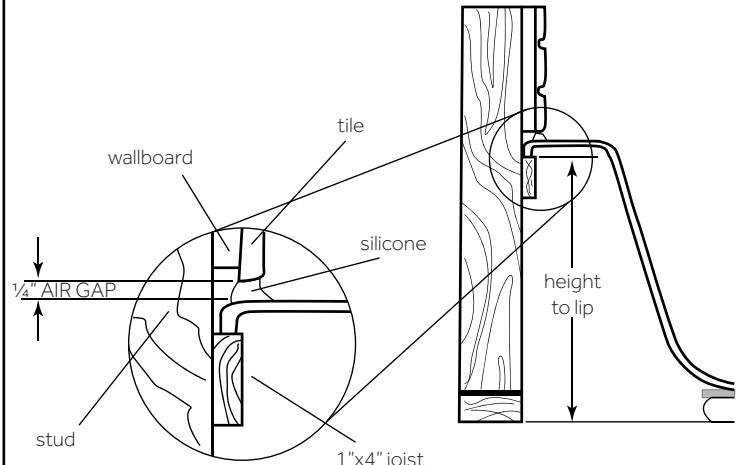
Figure 2 - Typical Alcove Installation



Typical Drop-In Type Installation



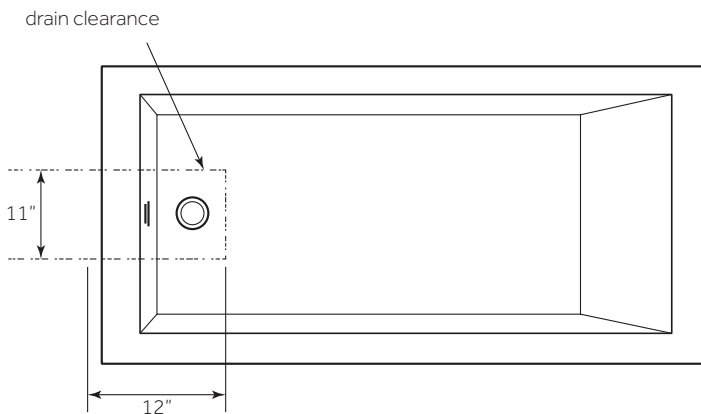
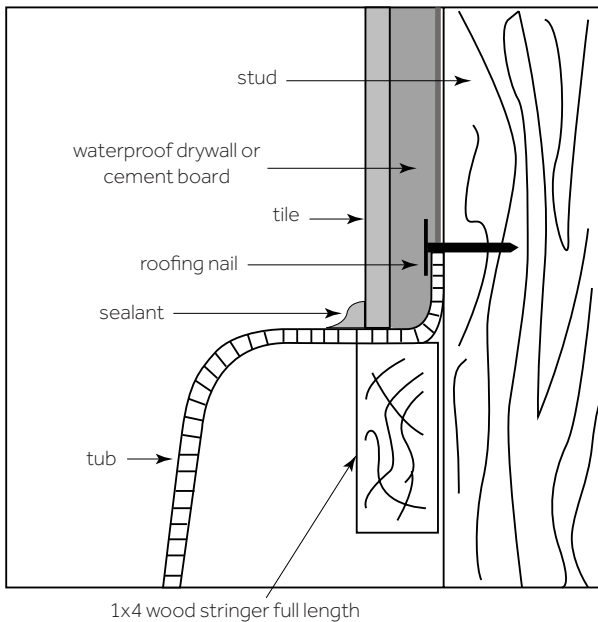
Reference for Drop-In Installation





ACRYLIC ALCOVE TUB INSTALLATION INSTRUCTIONS

Reference for Correct Tile Flange Installation. Use drawing below as a reference guide for rough-in measurements.



Allow the mortar material to completely harden before applying weight to the rim or bottom of the bath. Any finish material such as tile or wall board must be self supporting if it contacts the deck of the bath.

Verify that the tub is level in all directions.

CLEANING AND MAINTENANCE

Wash your tub using a gentle soap, such as dishwashing liquid, and warm water. Do not use any abrasive cleaning pads or materials. We recommend the use of a soft sponge or microfiber washcloth. Vinegar can be used to remove hard water buildup and mildew. Rinse with warm water and dry with a clean, soft cloth. To maintain the glossy tub finish, we recommend buffing your tub every three months with white polishing compound.

SCRATCH REMOVAL

1. Using a damp sponge, wash the area with warm water and dish washing liquid. Rinse thoroughly with warm water.
2. Do not use any type of abrasive cleaning pads or chemicals. Read the labels on your cleaners to be sure they are gentle enough to be used on your acrylic tub.
3. Apply circular, even strokes to the scratched area using dampened 800 and 1200 grit sandpaper.
4. Wipe the area clean with a damp sponge and rinse thoroughly.
5. Apply an acrylic polishing compound and water with a soft, clean cloth. Rub in a circular motion to polish and buff the area.
6. Wipe off any excess residue and rinse the tub with warm water. Dry the surface with a clean, soft cloth.