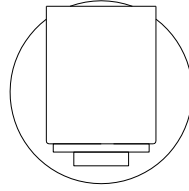
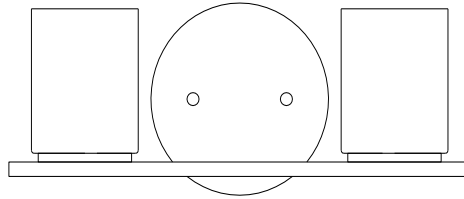


SPECIFICATION SHEET

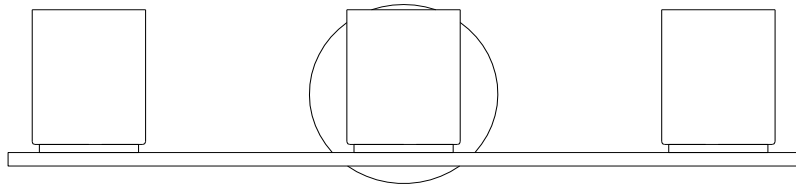
PARK HARBOR™



Skimino
Vanity Light



PHVL3101BN/PC
PHVL3102BN/PC
PHVL3103BN/PC



- 1,2 or 3- Light Vanity in Brushed Nickel or Polished Chrome
- Etched white inside/clear outside glass
- No special tools needed for assembly
- Dimmable: NO
- Mount Way: Mount up & down
- ETL Listed: Yes
- ETL Rating: Damp location
- Wattage:

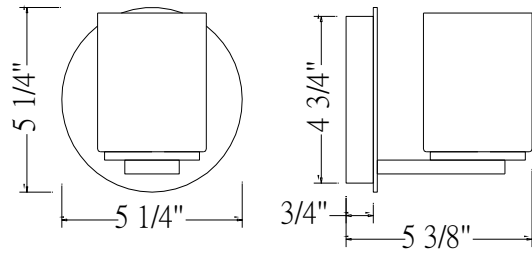
PHVL3101BN/PC: Uses one 5W G9 led lamp max

PHVL3102BN/PC: Uses two 5W G9 led lamp max

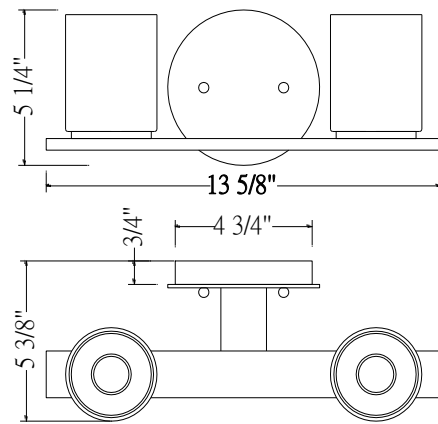
PHVL3103BN/PC: Uses three 5W G9 led lamp max

See dimensional drawing on back.
© 2017 Ferguson Enterprises, Inc. 00000 12/17

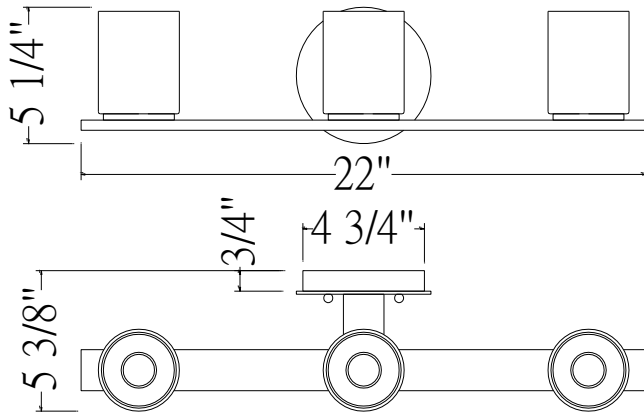
PARKHARBORLIGHTING.COM



PHVL3101BN/PC



PHVL3102BN/PC



PHVL3103BN/PC