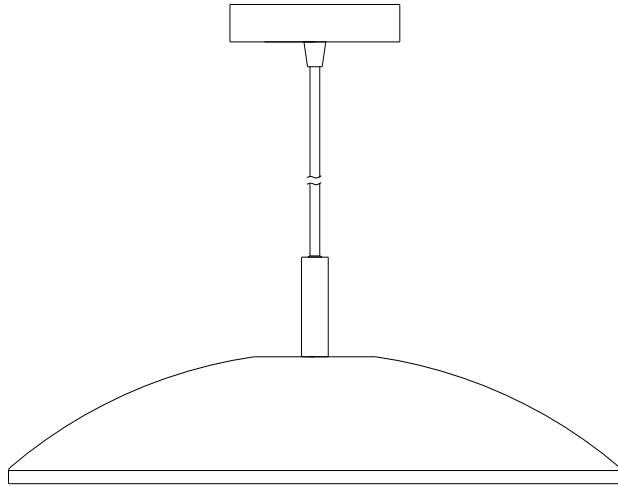


# PARK HARBOR™

## LED Pendant



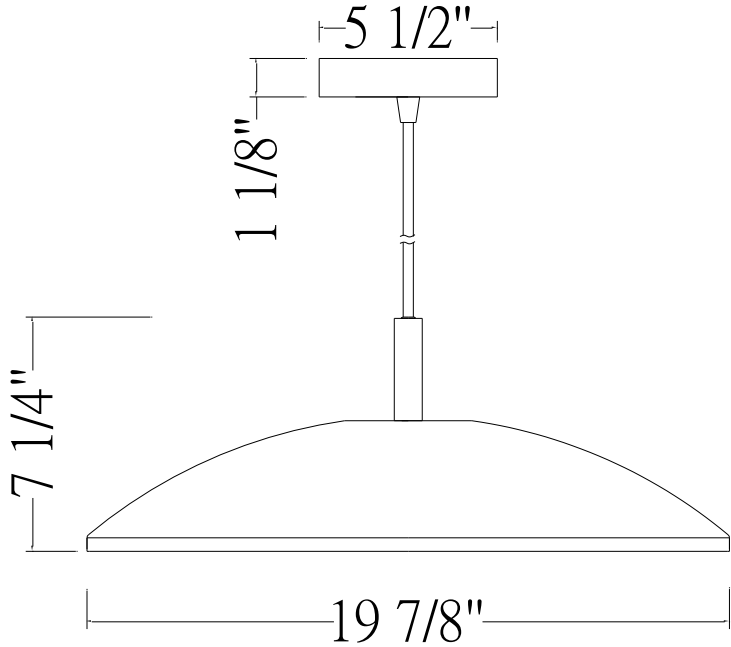
PHPL6360LEDWHIT

- LED Pendant in White
- Clear/sand-blasted one side Diffuser
- No special tools needed for assembly
- Dimmable: YES
- LED Color Temperature: 3000K
- LED Lumens: 1800LM
- ETL Listed: Yes
- ETL Rating: Dry location
- Wattage: 23W LED base lamp max

See dimensional drawing on back.  
© 2017 Ferguson Enterprises, Inc. 00000 12/17

[PARKHARBORLIGHTING.COM](http://PARKHARBORLIGHTING.COM)

PARK HARBOR™



PHPL6360WHIT