

67" STOWER AIR TUB

ACRYLIC ALCOVE TUB

SKU: 948791



FEATURES

- Product Finish:
- Overflow Hole:
- Material:
- Tap Deck:
- Drain Included:
- Drain Placement:
- Faucet Included:
- Faucet Drillings:
- Built-In Adjusters:

SIGNATURE HARDWARE Lifetime Warranty

See website for detailed warranty information.

CONTENTS

AIR TUB	PAGE 2
67" TUB	PAGE 3

REVISED 8/15/2019

67" STOWER AIR TUB

COMPONENTS LIST

- BM-TWP BALL CHECK VALVE JETS
- MANI-SD-A SECURITY DEVICE
- MAN-A-4-AC MANIFOLD
- SILVER SLS+ VARIABLE SPEED BLOWER

INSTALLATION

Install blower behind a wall (with an access panel) or in a closet. Blower can also be installed under floor. Ensure the security device, MANI-DS-A, is at least:

- 2" Above the bottom of overflow hole OR
- 2" Above the tub rim

REMOTE CONTROL

- CG+/RTC-SENSOR-WP
- 12 – 15 YEAR BATTERY LIFE

INSIDE OF BATH

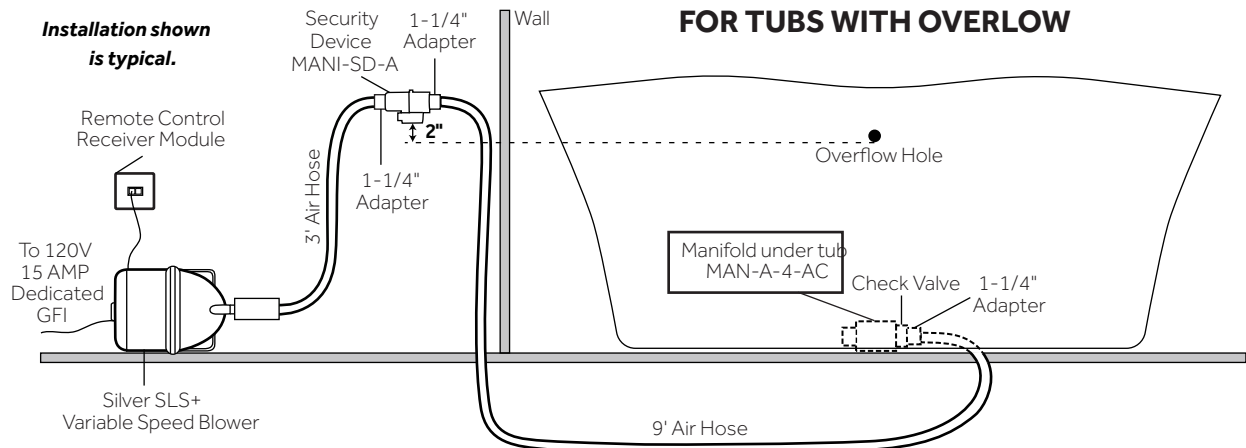
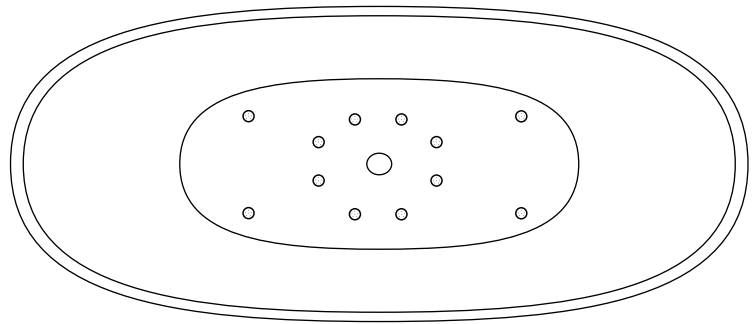
- (12) MAXI AIR JETS WITH 24 OPENINGS



ELBOWS FOR AIR JETS



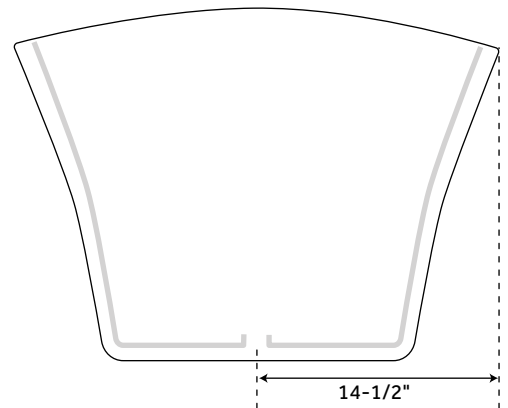
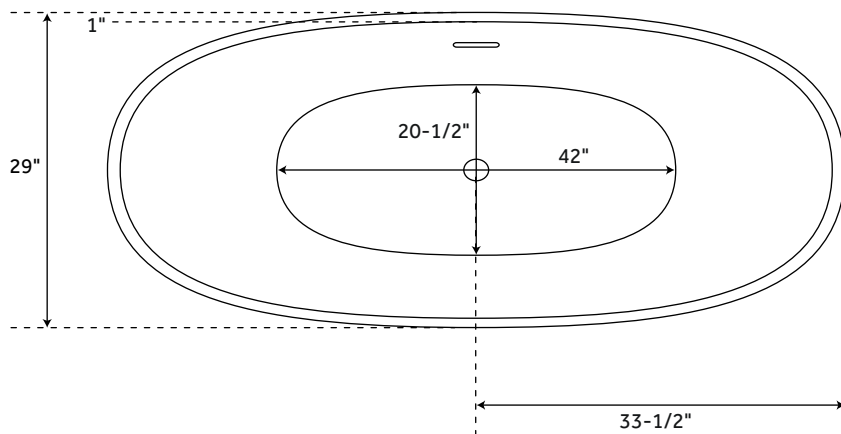
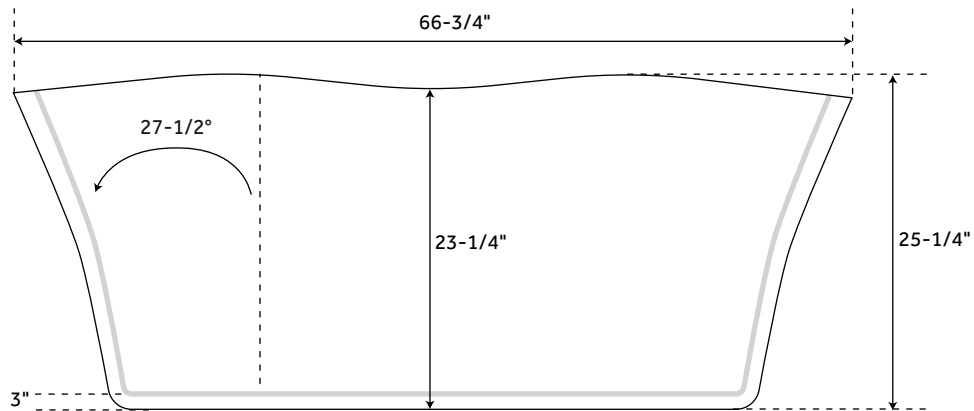
TEES FOR AIR JETS



67" STOWER

ACRYLIC ALCOVE TUB

SKU: 948791



FEATURES

Design: Modern
Product Finish: White
Features: Integral Drain & Overflow
Overflow Hole: Yes
Integral Drain & Overflow: Yes
Shape: Oval
Material: Acrylic
Length: 66-3/4"
Width: 29"
Height: 25-1/4"
Tub Interior Length: 20-1/2"
Tub Interior Width: 14"
Water Depth To Overflow: 42"
Drain Included: Yes
Faucet Included: No
Built-In Adjusters: Yes
Tub Weight Uncrated (lbs): 105
Tub Weight Crated (lbs): 215
Water Capacity With Overflow: 52 Gallons

SIGNATURE HARDWARE LIFETIME WARRANTY

See website for warranty information



All measurements are approximate. Measurements may vary +/- 1/2".

PAGE 3