

69" TORBEN

FREESTANDING ACRYLIC FREESTANDING TUB

SKU: 948784



FEATURES

Product Finish: White
Overflow Hole: Yes
Integral Drain & Overflow: Yes
Material: Acrylic
Length: 69"
Width: 31-1/4"
Height: 32"
Tub Interior Length: 43-1/2"
Tub Interior Width: 17-1/2"
Tub Slope: 33°
Water Depth To Rim: 17-1/2"
Water Depth To Overflow: 14-1/2"
Tap Deck: No
Drain Included: Yes
Faucet Included: No
Faucet Drillings: No Drillings
Water Capacity With Overflow: 48 Gallons
Built-In Adjusters: Yes
Tub Weight Uncrated (lbs): 100
Tub Weight Crated (lbs): 210

SIGNATURE HARDWARE Lifetime Warranty

See website for detailed warranty information.

CONTENTS

AIR TUB PAGE 2
69" TUB PAGE 3

REVISED 10/22/2019

69" TORBEN AIR TUB

COMPONENTS LIST

- BM-TWP BALL CHECK VALVE JETS
- MANI-SD-A SECURITY DEVICE
- MAN-A-4-AC MANIFOLD
- SILVER SLS+ VARIABLE SPEED BLOWER

INSTALLATION

Install blower behind a wall (with an access panel) or in a closet. Blower can also be installed under floor. Ensure the security device, MANI-SD-A, is at least:

- 2" Above the tub rim

Security device and hose can be mounted in wall

REMOTE CONTROL

- CG+/RTC-SENSOR-WP
- 12 – 15 YEAR BATTERY LIFE

INSIDE OF BATH

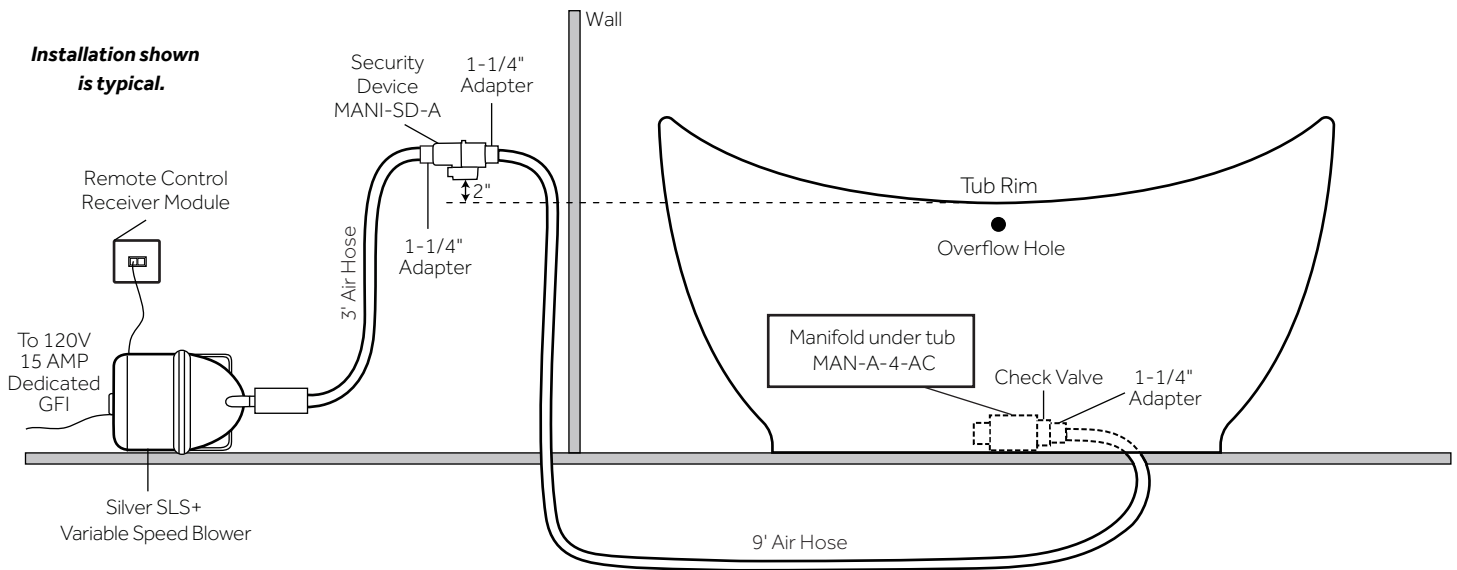
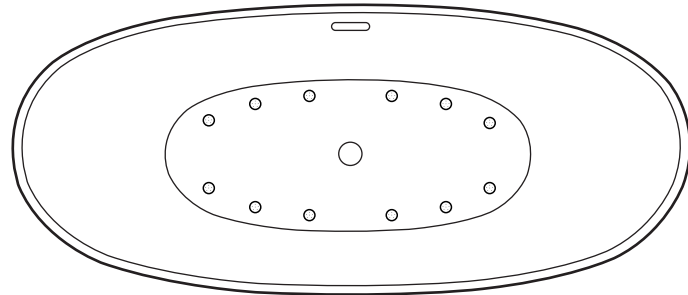
- (12) MAXI AIR JETS WITH 24 OPENINGS



ELBOWS FOR AIR JETS



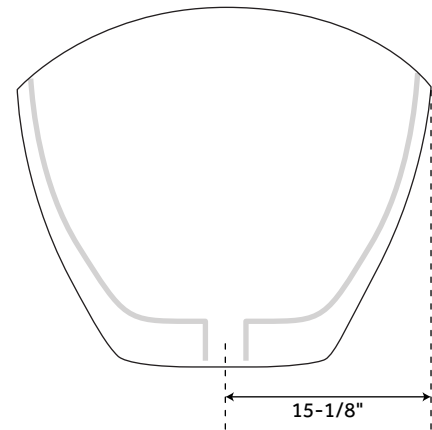
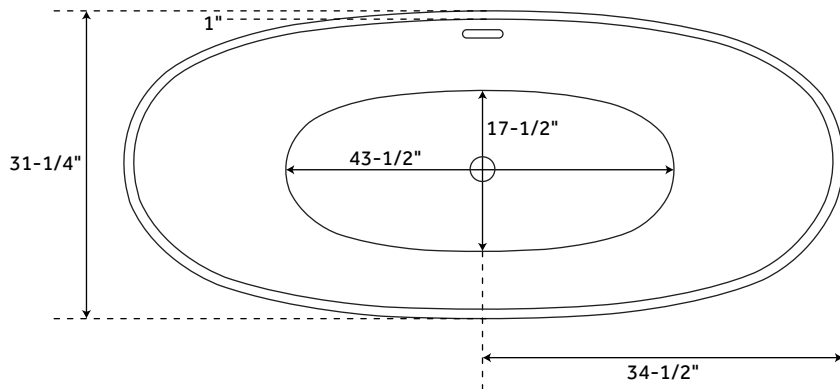
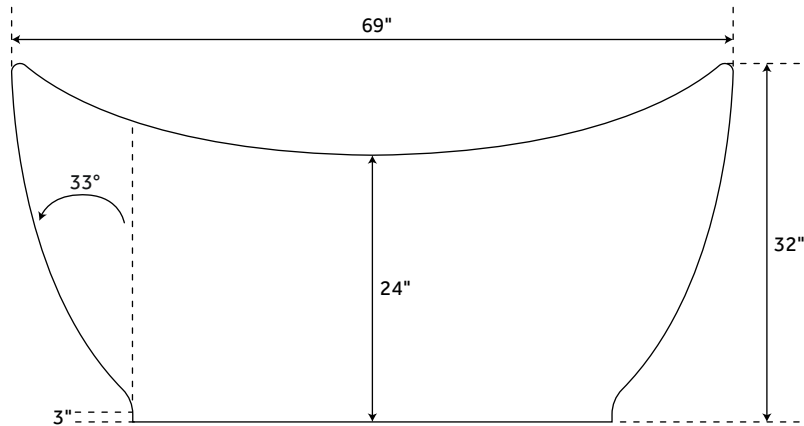
TEES FOR AIR JETS



69" TORBEN

FREESTANDING ACRYLIC FREESTANDING TUB

SKU: 948784



FEATURES

Product Finish: White
Overflow Hole: Yes
Integral Drain & Overflow: Yes
Material: Acrylic
Length: 69"
Width: 31-1/4"
Height: 32"
Tub Interior Length: 43-1/2"
Tub Interior Width: 17-1/2"
Tub Slope: 33°
Water Depth To Rim: 17-1/2"
Water Depth To Overflow: 14-1/2"
Tap Deck: No
Drain Included: Yes
Faucet Included: No
Faucet Drillings: No Drillings
Water Capacity With Overflow: 48 Gallons
Built-In Adjusters: Yes
Tub Weight Uncrated (lbs): 100
Tub Weight Crated (lbs): 210

SIGNATURE HARDWARE LIFETIME WARRANTY

See website for warranty information



All dimensions and specifications are nominal and may vary. Use actual products for accuracy in critical situations.

PAGE 3