

69" DESBOROUGH

ACRYLIC FREESTANDING DOUBLE-SLIPPER TUB

SKU: 944536, 946777



FEATURES

Features: Integral Drain & Overflow
Overflow Hole: Yes
Integral Drain & Overflow: Yes
Material: Acrylic
Length: 69"
Width: 31-1/8"
Height: 27"
Tub Interior Length: 46"
Tub Interior Width: 19-1/2"
Tub Slope: 14°
Water Depth To Rim: 17"
Water Depth To Overflow: 14-1/2"
Drain Included: Yes
Drain Placement: Center
Faucet Included: No
Faucet Drillings: No Drillings
Water Capacity (Gallons): 56
Built-In Adjusters: Yes
Tub Weight Uncrated (lbs): 112
Tub Weight Crated (lbs): 222

SIGNATURE HARDWARE Lifetime Warranty

See website for detailed warranty information.

CONTENTS

AIR TUB	PAGE 2
69" TUB	PAGE 3

REVISED 08/06/2019

69" DESBOROUGH AIR TUB

COMPONENTS LIST

- BM-TWP BALL CHECK VALVE JETS
- MANI-SD-A SECURITY DEVICE
- MAN-A-4-AC MANIFOLD
- SILVER SLS+ VARIABLE SPEED BLOWER

INSTALLATION

Install blower behind a wall (with an access panel) or in a closet. Blower can also be installed under floor. Ensure the security device, MANI-SD-A, is at least:

- 2" Above the bottom of overflow hole

Security device and hose can be mounted in wall

REMOTE CONTROL

- CG+/RTC-SENSOR-WP
- 12 – 15 YEAR BATTERY LIFE

INSIDE OF BATH

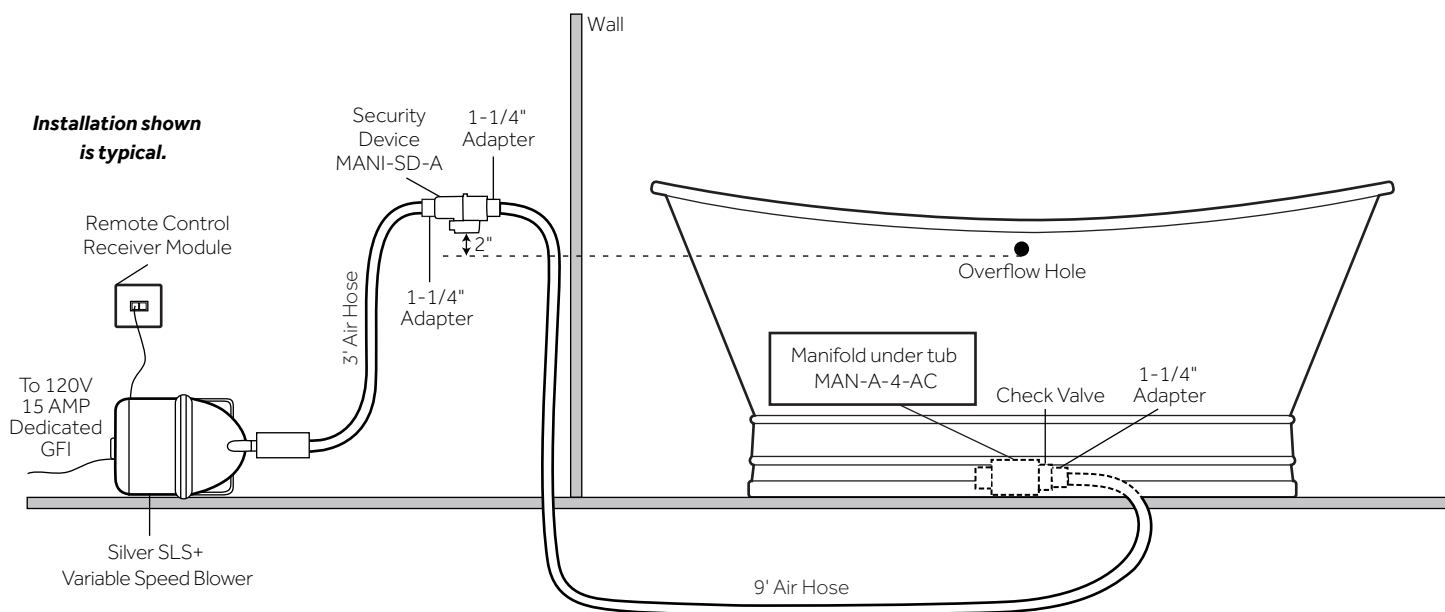
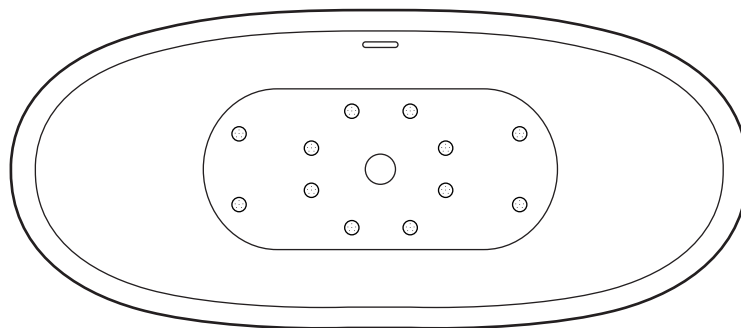
- (12) MAXI AIR JETS WITH 24 OPENINGS



ELBOWS FOR AIR JETS



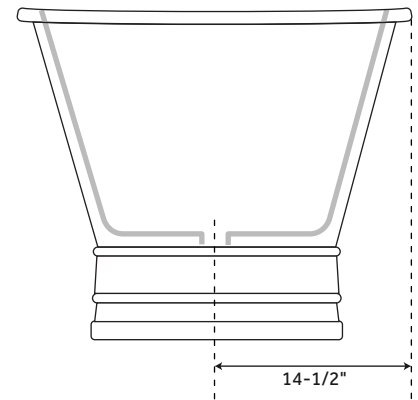
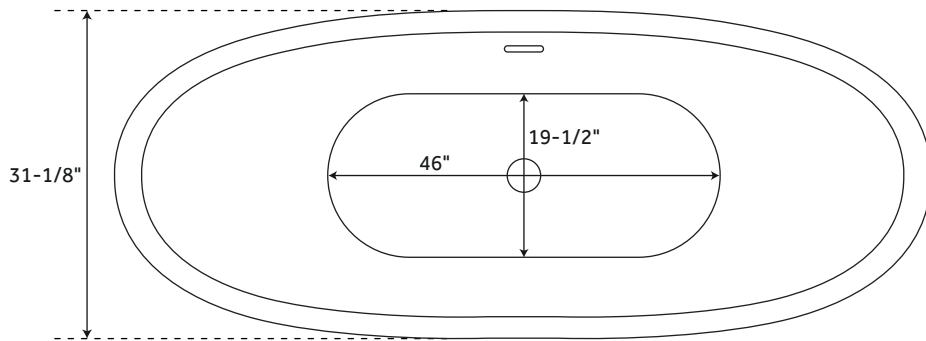
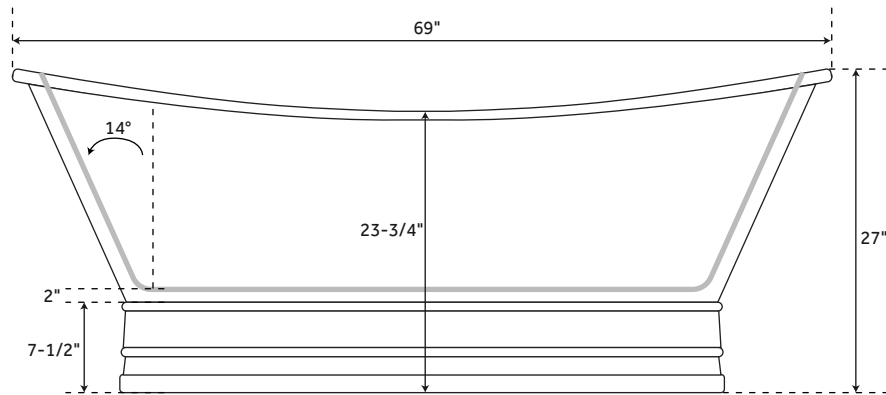
TEES FOR AIR JETS



69" DESBOROUGH

ACRYLIC FREESTANDING DOUBLE-SLIPPER TUB

SKU: 944536, 946777



FEATURES

Features: Integral Drain & Overflow
Overflow Hole: Yes
Integral Drain & Overflow: Yes
Material: Acrylic
Length: 69"
Width: 31-1/8"
Height: 27"
Tub Interior Length: 46"
Tub Interior Width: 19-1/2"
Tub Slope: 14°
Water Depth To Rim: 17"
Water Depth To Overflow: 14-1/2"
Drain Included: Yes
Drain Placement: Center
Faucet Included: No
Faucet Drillings: No Drillings
Water Capacity (Gallons): 56
Built-In Adjusters: Yes
Tub Weight Uncrated (lbs): 112
Tub Weight Crated (lbs): 222

SIGNATURE HARDWARE LIFETIME WARRANTY

See website for warranty information



All measurements are approximate. Measurements may vary +/- 1".

PAGE 3