

70" ASHINGTON AIR TUB

FREESTANDING ACRYLIC TUB

SKU: 944534



FEATURES

Product Finish: White
Features: Integral Drain & Overflow
Overflow Hole: Yes
Integral Drain & Overflow : Yes
Material: Acrylic
Length: 70"
Width: 33-1/4"
Height: 23-1/8"
Tub Interior Length: 50"
Tub Interior Width: 21"
Tub Slope: 27°
Water Depth to Rim: 16"
Water Depth To Overflow: 14"
Drain Included: Yes
Faucet Included: No
Faucet Drillings: No Drillings
Built-In Adjusters: Yes
Tub Weight Uncrated (lbs): 119
Tub Weight Crated (lbs): 229
Number of Jets: 12

CONTENTS

AIR TUB PAGE 2
70" TUB PAGE 3

SIGNATURE HARDWARE Lifetime Warranty

See website for detailed warranty information.

REVISED 11/28/2018

70" ASHINGTON AIR TUB

COMPONENTS LIST

- BM-TWP BALL CHECK VALVE JETS
- MANI-SD-A SECURITY DEVICE
- MAN-A-4-AC MANIFOLD
- SILVER SLS+ VARIABLE SPEED BLOWER

INSTALLATION

Install blower behind a wall (with an access panel) or in a closet. Blower can also be installed under floor. Ensure the security device, MANI-DS-A, is at least:

- 2" Above the bottom of overflow hole OR
- 2" Above the tub rim

REMOTE CONTROL

- CG+/RTC-SENSOR-WP
- 12 – 15 YEAR BATTERY LIFE

INSIDE OF BATH

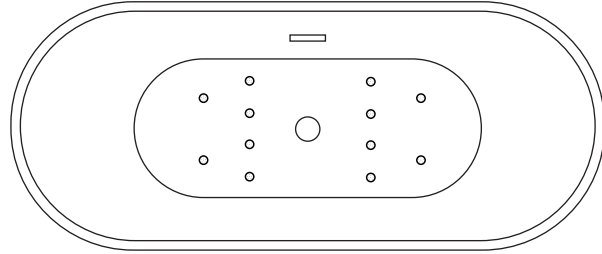
- (12) MAXI AIR JETS WITH 24 OPENINGS



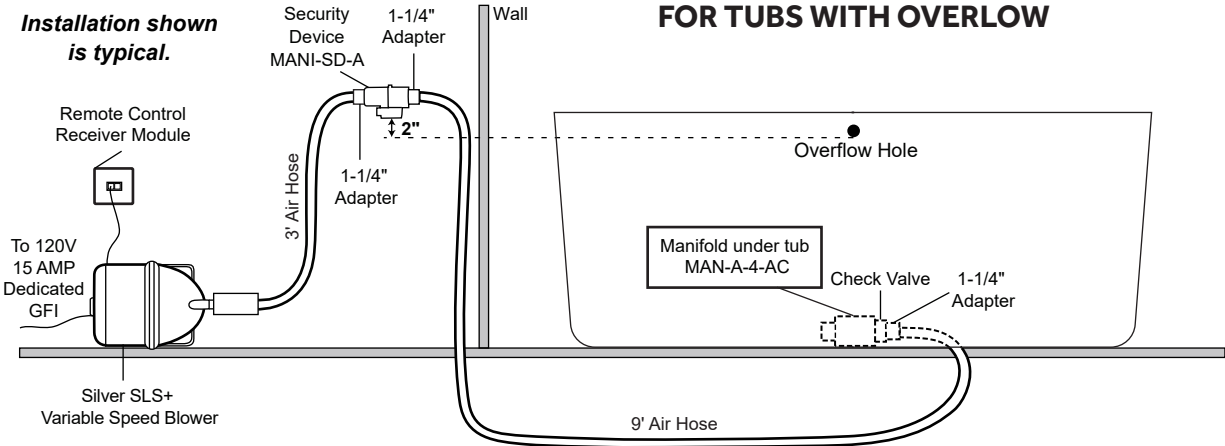
ELBOWS FOR AIR JETS



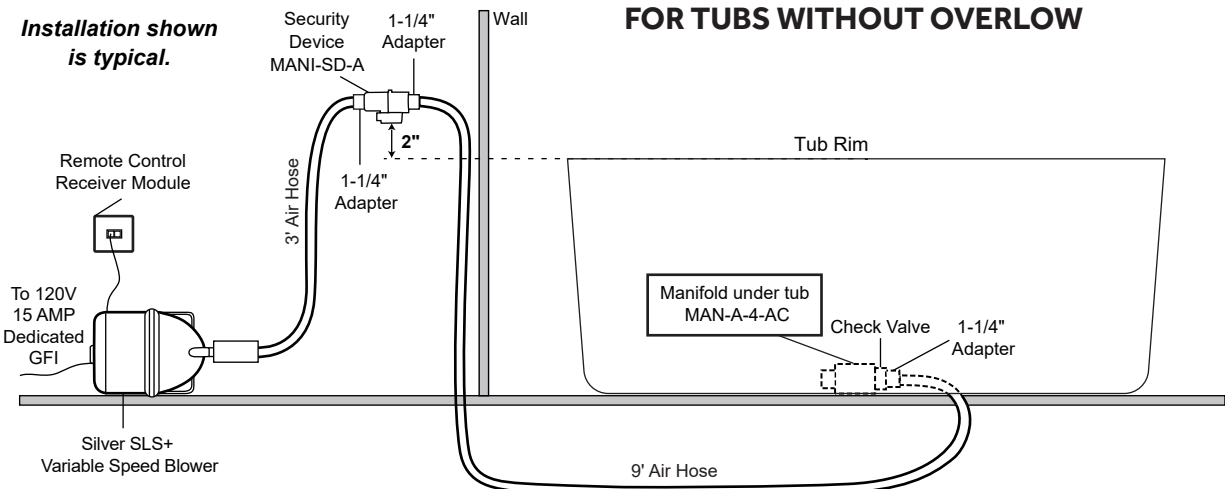
TEES FOR AIR JETS



Installation shown is typical.



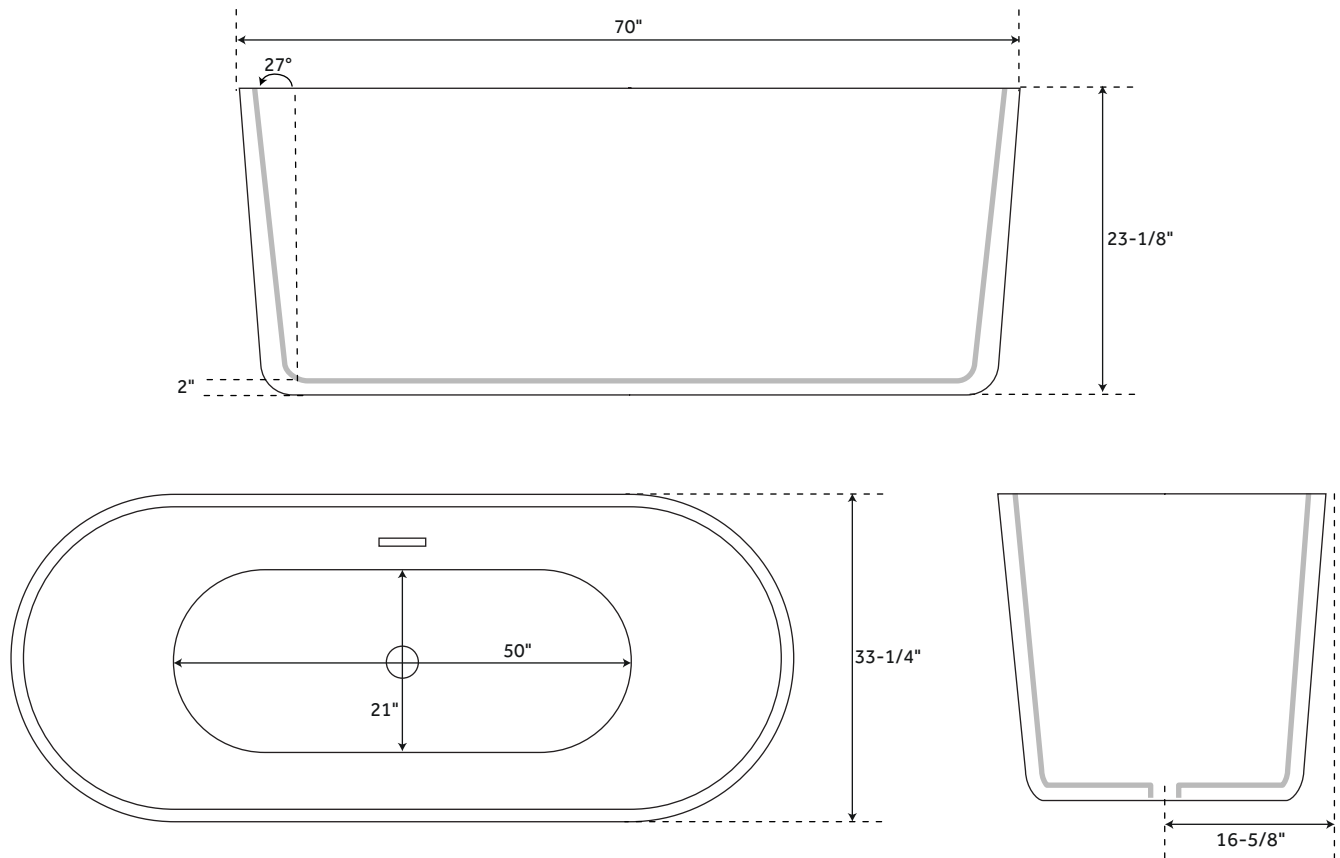
Installation shown is typical.



70" ASHINGTON

FREESTANDING ACRYLIC TUB

SKU: 944534



FEATURES

- Product Finish: White
- Features: Integral Drain & Overflow
- Overflow Hole: Yes
- Integral Drain & Overflow : Yes
- Material: Acrylic
- Length: 70"
- Width: 33-1/4"
- Height: 23-1/8"
- Tub Interior Length: 50"
- Tub Interior Width: 21"
- Tub Slope: 27°
- Water Depth to Rim: 16"
- Water Depth To Overflow: 14"
- Drain Included: Yes
- Faucet Included: No
- Faucet Drillings: No Drillings
- Built-In Adjusters: Yes
- Tub Weight Uncrated (lbs): 119
- Tub Weight Crated (lbs): 229
- Number of Jets: 12

SIGNATURE HARDWARE LIFETIME WARRANTY

See website for warranty information



All measurements are approximate. Measurements may vary +/- 1/2".

PAGE 3