

59" CLARISSA AIR TUB

FREESTANDING ACRYLIC TUB

SKU: 944532



FEATURES

Product Finish: White
Features: Integral Drain & Overflow
Overflow Hole: Yes
Integral Drain & Overflow : Yes
Material: Acrylic
Length: 59"
Width: 37-1/4"
Height: 23-5/8"
Tub Interior Length: 41"
Tub Interior Width: 22"
Tub Slope: 25°
Water Depth to Rim: 16-1/2"
Water Depth To Overflow: 14"
Drain Included: Yes
Faucet Included: No
Faucet Drillings: No Drillings
Built-In Adjusters: Yes
Tub Weight Uncrated (lbs): 190
Tub Weight Crated (lbs): 310
Number of Jets: 12

CONTENTS

AIR TUB PAGE 2
59" TUB PAGE 3

SIGNATURE HARDWARE Lifetime Warranty

See website for detailed warranty information.

REVISED 11/28/2018

59" CLARISSA AIR TUB

COMPONENTS LIST

- BM-TWP BALL CHECK VALVE JETS
- MANI-SD-A SECURITY DEVICE
- MAN-A-4-AC MANIFOLD
- SILVER SLS+ VARIABLE SPEED BLOWER

INSTALLATION

Install blower behind a wall (with an access panel) or in a closet. Blower can also be installed under floor. Ensure the security device, MANI-DS-A, is at least:

- 2" Above the bottom of overflow hole OR
- 2" Above the tub rim

REMOTE CONTROL

- CG+/RTC-SENSOR-WP
- 12 – 15 YEAR BATTERY LIFE

INSIDE OF BATH

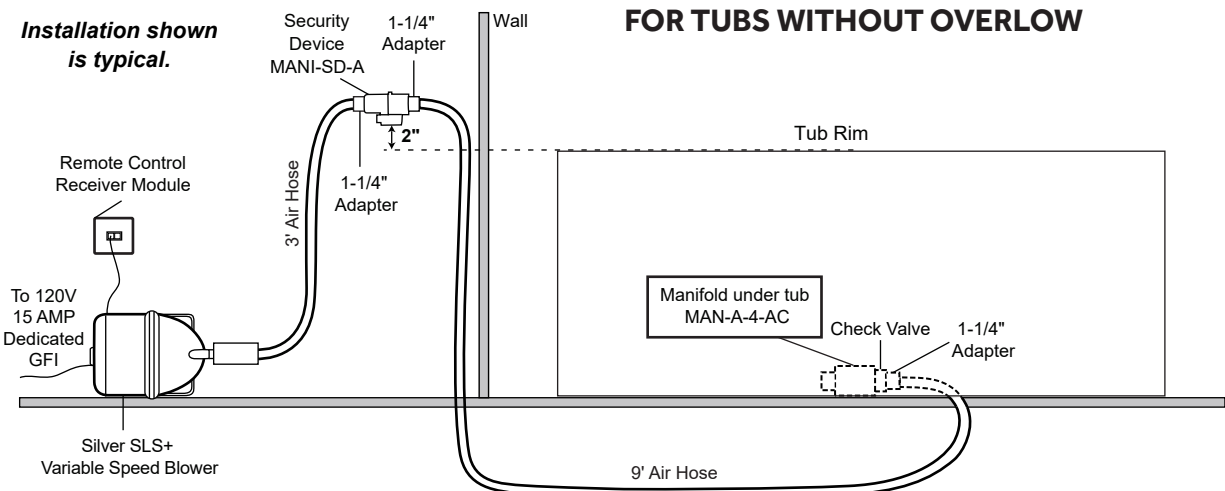
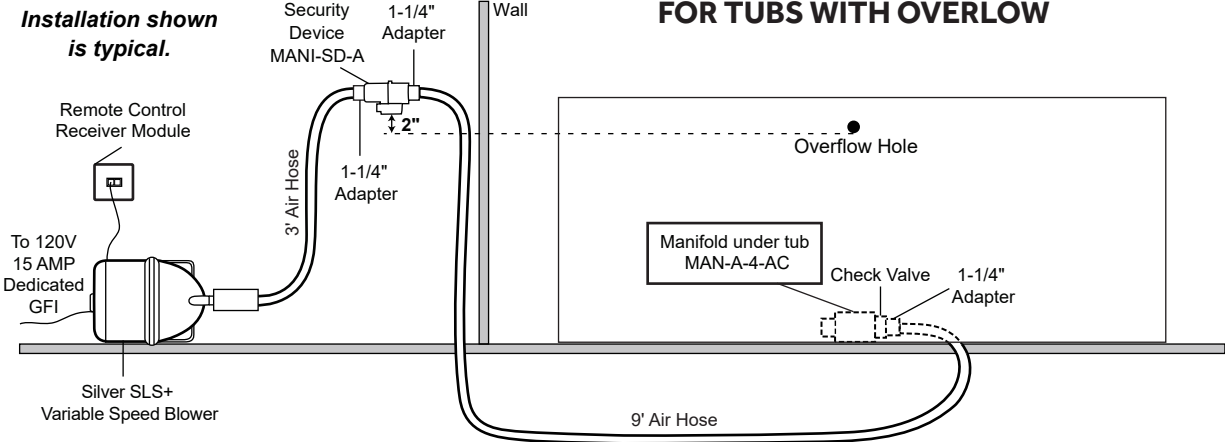
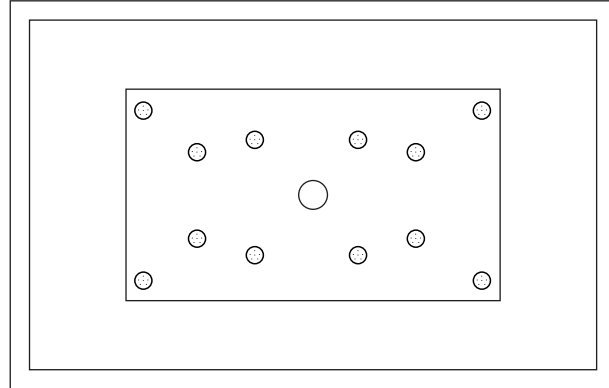
- (12) MAXI AIR JETS WITH 24 OPENINGS



ELBOWS FOR AIR JETS



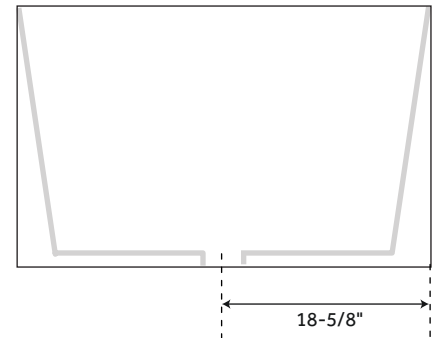
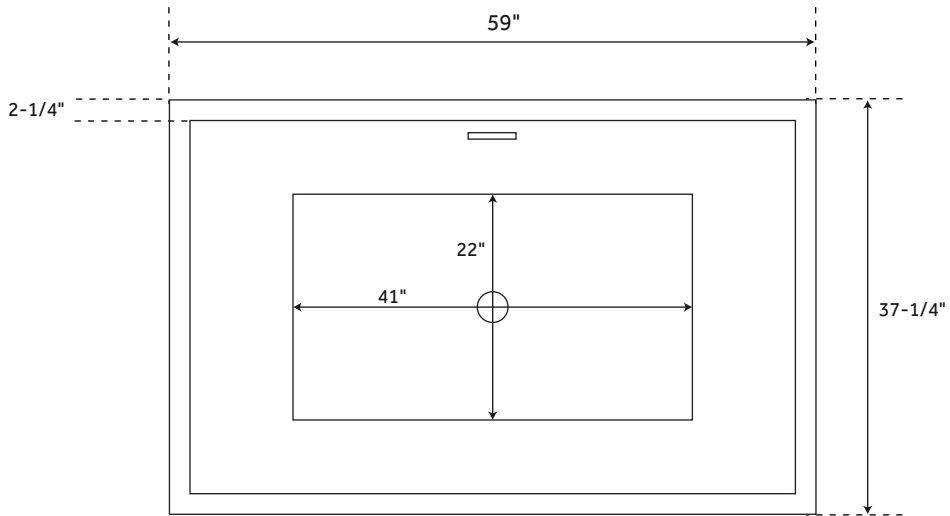
TEES FOR AIR JETS



59" CLARISSA

FREESTANDING ACRYLIC TUB

SKU: 944532



FEATURES

- Product Finish: White
- Features: Integral Drain & Overflow
- Overflow Hole: Yes
- Integral Drain & Overflow : Yes
- Material: Acrylic
- Length: 59"
- Width: 37-1/4"
- Height: 23-5/8"
- Tub Interior Length: 41"
- Tub Interior Width: 22"
- Tub Slope: 25°
- Water Depth to Rim: 16-1/2"
- Water Depth To Overflow: 14"
- Drain Included: Yes
- Faucet Included: No
- Faucet Drillings: No Drillings
- Built-In Adjusters: Yes
- Tub Weight Uncrated (lbs): 190
- Tub Weight Crated (lbs): 310
- Number of Jets: 12

SIGNATURE HARDWARE LIFETIME WARRANTY

See website for warranty information



All measurements are approximate. Measurements may vary +/- 1/2".

PAGE 3