

69" SOPHIA

ACRYLIC FREESTANDING TUB

SKU: 944527



FEATURES

Design: Modern
Product Finish: White
Overflow Hole: Yes
Integral Drain & Overflow : Yes
Shape: Rectangle
Material: Acrylic
Length: 68-5/8"
Width: 29-5/8"
Height: 25"
Tub Interior Length: 45"
Tub Interior Width: 17"
Tub Slope: 20°
Water Depth To Rim: 17-1/2"
Water Depth To Overflow: 15"
Drain Included: Yes
Drain Placement: Center
Faucet Included: No
Faucet Drillings: No Drillings
Built-In Adjusters: Yes
Tub Weight Uncrated (lbs): 137
Tub Weight Crated (lbs): 257

SIGNATURE HARDWARE Lifetime Warranty

See website for detailed warranty information.

CONTENTS

AIR TUB	PAGE 2
69" TUB	PAGE 3

REVISED 4/15/2019

69" SOPHIA AIR TUB

COMPONENTS LIST

- BM-TWP BALL CHECK VALVE JETS
- MANI-SD-A SECURITY DEVICE
- MAN-A-4-AC MANIFOLD
- SILVER SLS+ VARIABLE SPEED BLOWER

INSTALLATION

Install blower behind a wall (with an access panel) or in a closet. Blower can also be installed under floor. Ensure the security device, MANI-DS-A, is at least:

- 2" Above the bottom of overflow hole

Security device and hose can be mounted in wall

REMOTE CONTROL

- CG+/RTC-SENSOR-WP
- 12 – 15 YEAR BATTERY LIFE

INSIDE OF BATH

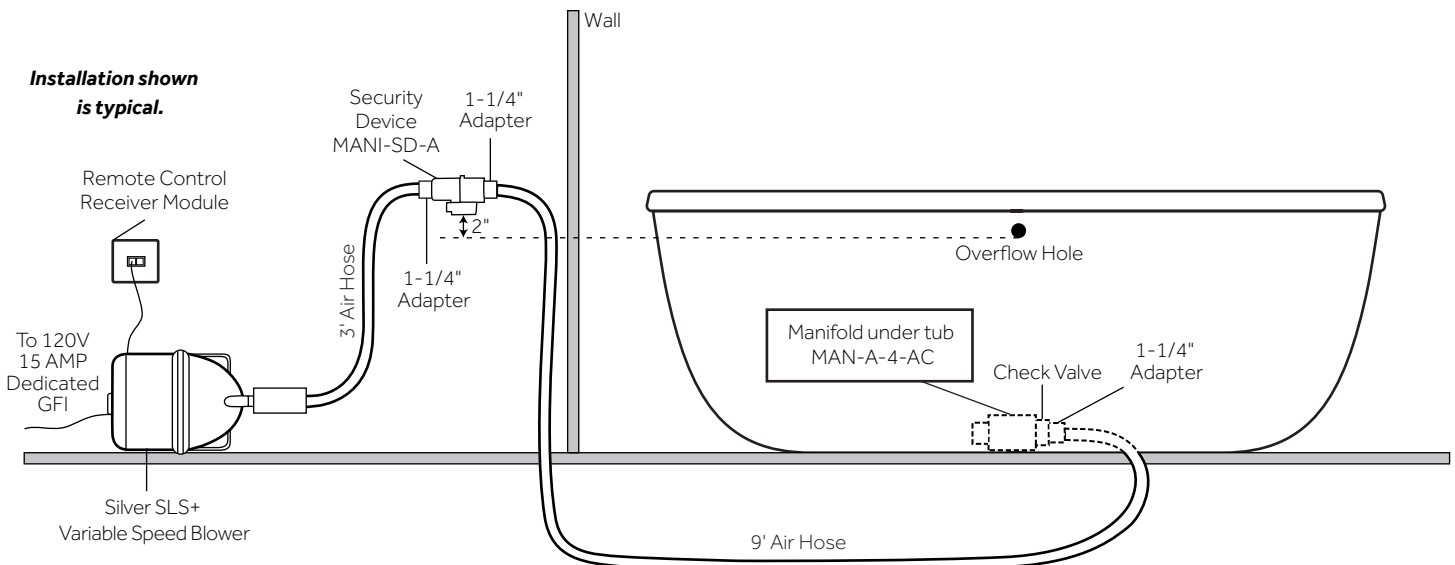
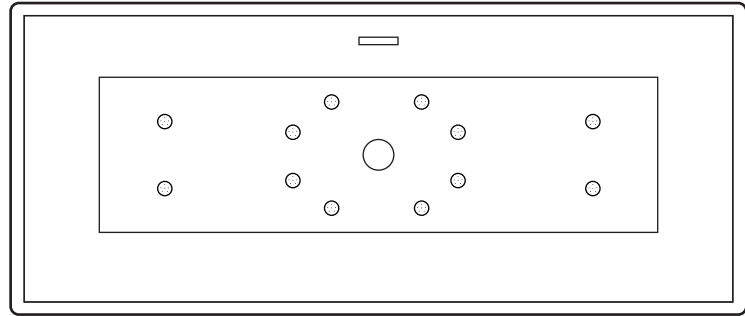
- (12) MAXI AIR JETS WITH 24 OPENINGS



ELBOWS FOR AIR JETS



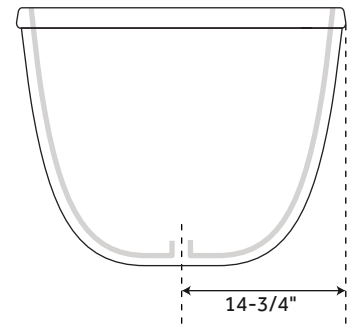
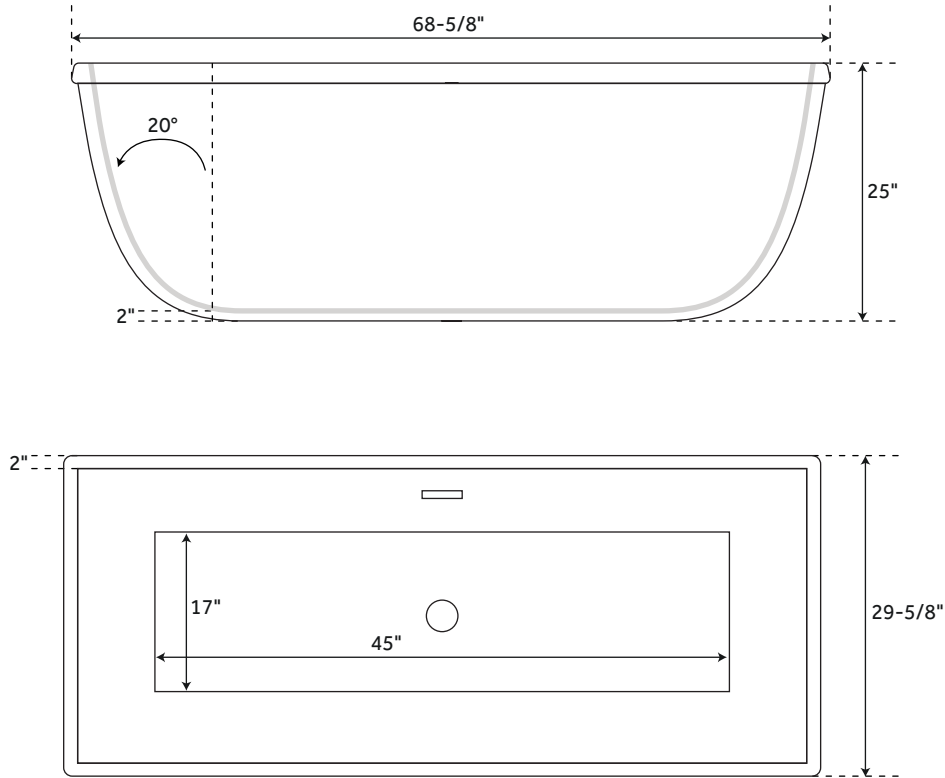
TEES FOR AIR JETS



69" SOPHIA

ACRYLIC FREESTANDING TUB

SKU: 944527



FEATURES

- Design: Modern
- Product Finish: White
- Overflow Hole: Yes
- Integral Drain & Overflow: Yes
- Shape: Rectangle
- Material: Acrylic
- Length: 68-5/8"
- Width: 29-5/8"
- Height: 25"
- Tub Interior Length: 45"
- Tub Interior Width: 17"
- Tub Slope: 20°
- Water Depth To Rim: 17-1/2"
- Water Depth To Overflow: 15"
- Drain Included: Yes
- Drain Placement: Center
- Faucet Included: No
- Faucet Drillings: No Drillings
- Built-In Adjusters: Yes
- Tub Weight Uncrated (lbs): 137
- Tub Weight Crated (lbs): 257

SIGNATURE HARDWARE LIFETIME WARRANTY

See website for warranty information



All measurements are approximate. Measurements may vary +/- 1".

PAGE 3