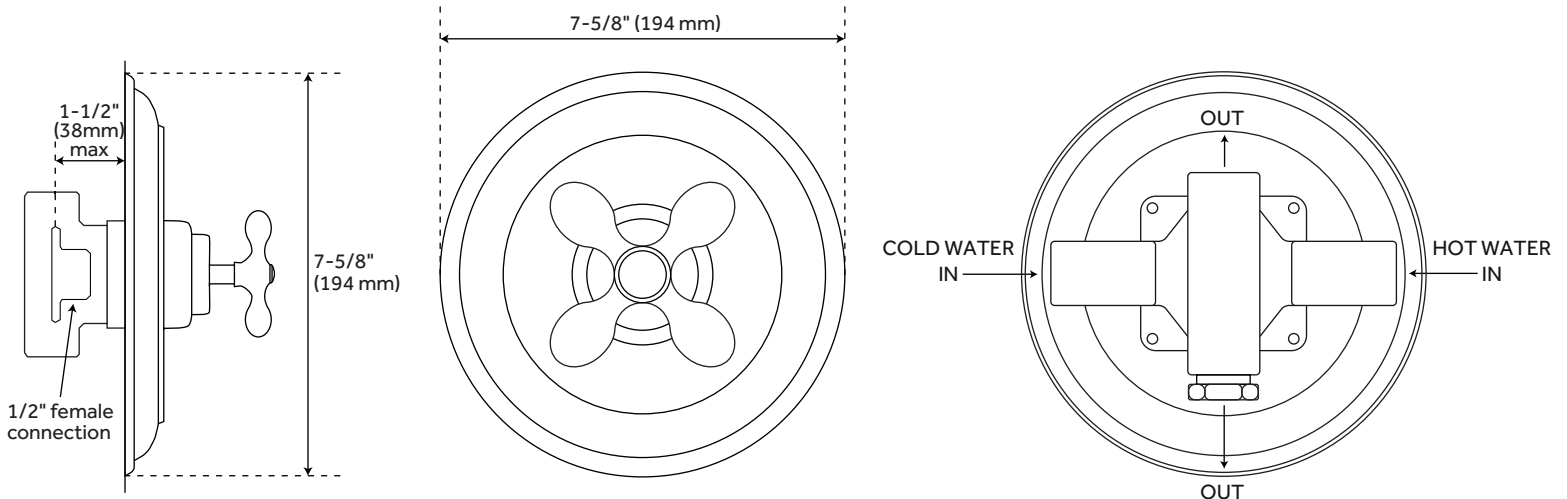


# GLENLEY

## PRESSURE BALANCE SHOWER VALVE WITH CROSS HANDLES

SKU: 943252



### FEATURES

Material: Brass  
Handle Type: Cross  
Length: 7-5/8"  
Width: 7-5/8"  
Spline Count: 32

### SIGNATURE HARDWARE LIFETIME WARRANTY

See website for warranty information



All product dimensions are nominal.

REVISED 05/03/2019