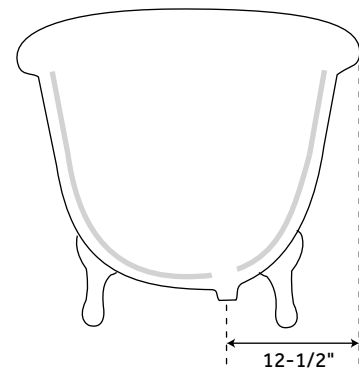
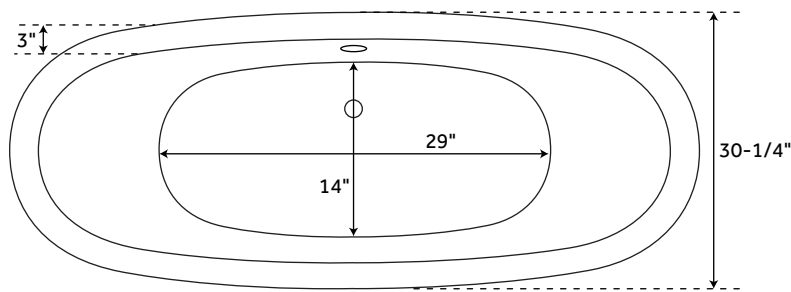
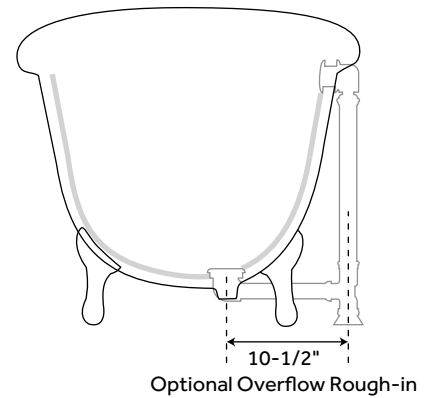
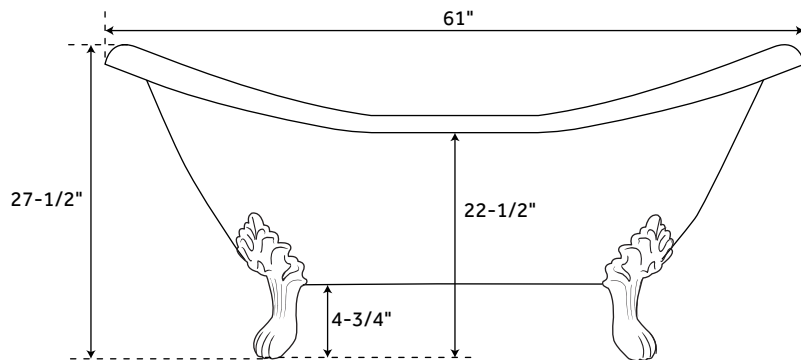


61" ARABELLA

CAST IRON DOUBLE-SLIPPER TUB - LION PAW FEET

SKU: 938000



FEATURES

Design: Traditional
Overflow Hole: Yes
Shape: Oval
Material: Cast Iron
Length: 61-1/8"
Width: 30-1/4"
Height: 28"
Tub Interior Length: 30"
Tub Interior Width: 15"
Water Depth to Rim: 16-3/4"
Water Depth To Overflow: 12-3/4"
Exterior Treatment:
 Hand-Smoothed Painted
Interior Treatment: White Porcelain Enamel
Feet Type: Lion Paw
Feet Material: Cast Iron
Drain Placement: Offset
Water Capacity (Gallons): 26
Built-In Adjusters: Yes
Tub Weight Uncrated (lbs): 300
Tub Weight Crated (lbs): 410

SIGNATURE HARDWARE LIFETIME WARRANTY

See website for warranty information



All measurements are approximate. Measurements may vary +/- 1/2".

REVISED 11/29/2018