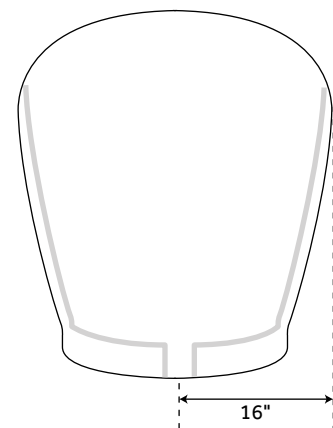
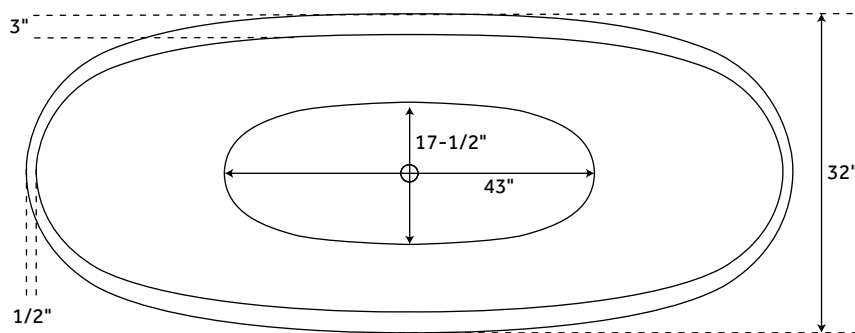
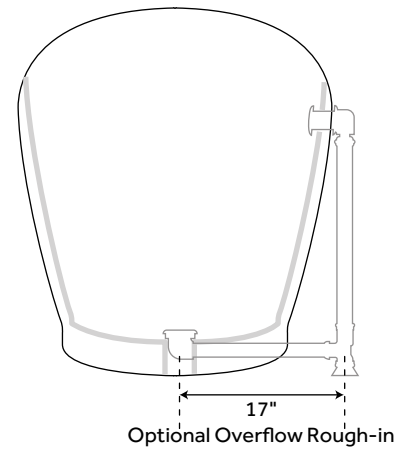
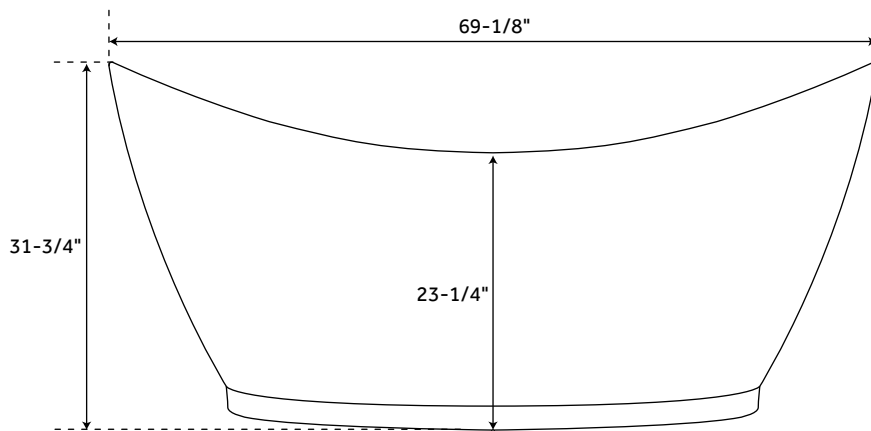


69" TORBEN

ACRYLIC FREESTANDING TUB

SKU: 931365



FEATURES

Design: Modern
Product Finish: White
Overflow Hole: Optional
Shape: Oval
Material: Acrylic
Tap Deck: No
Drain Included: Optional
Drain Placement: Center
Faucet Drillings: No Drillings
Water Capacity Without/With Overflow
(Gallons): 60/51
Water Depth Without/With Overflow:
18-1/2"/15-3/4"
Tub Weight Uncrated (lbs): 83
Tub Weight Crated (lbs): 193

SIGNATURE HARDWARE LIFETIME WARRANTY

See website for warranty information



All measurements are approximate. Measurements may vary +/- 1/2".

REVISED 01/30/2019