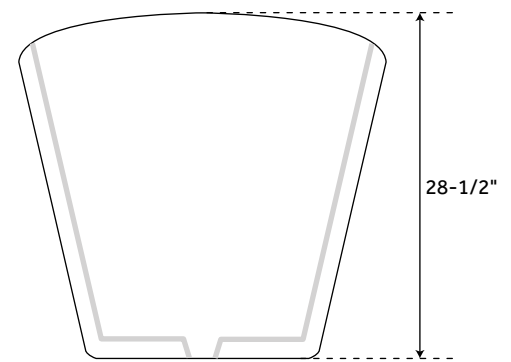
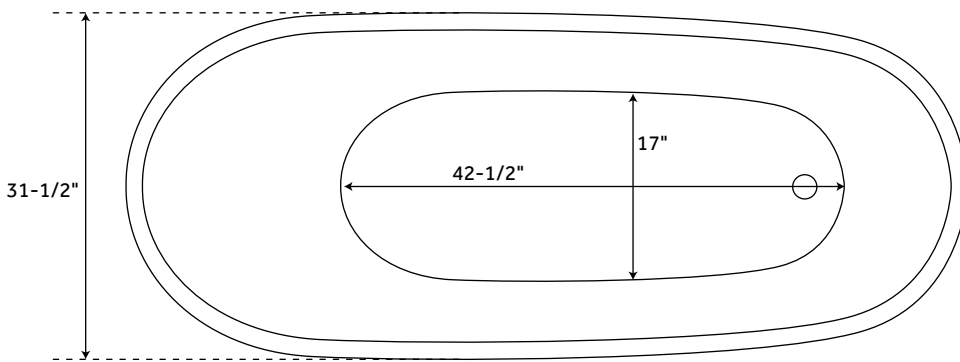
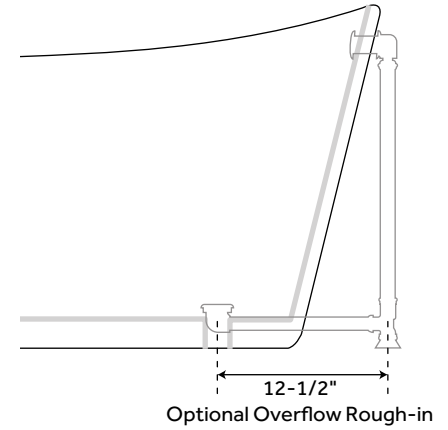
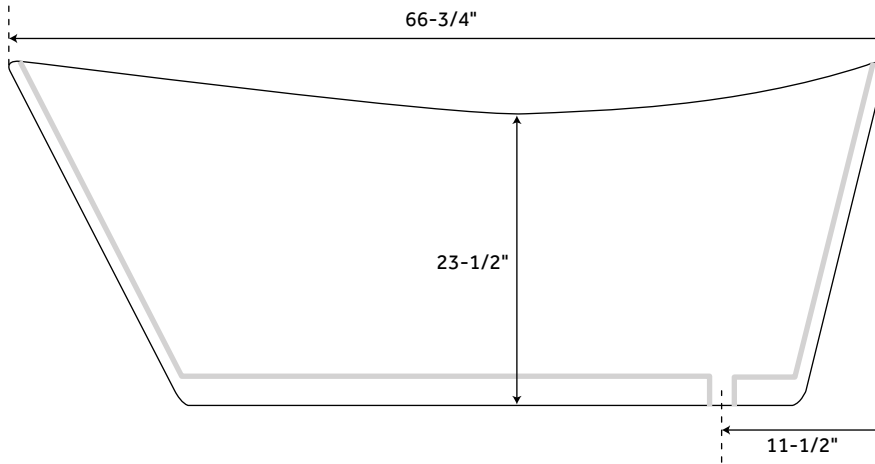


# 67" SAUNDERS

## BLACK ACRYLIC FREESTANDING TUB

SKU: 930345



### FEATURES

- Design: Modern
- Product Finish: Black
- Overflow Hole: Optional
- Shape: Oval
- Material: Acrylic
- Length: 66-3/4"
- Width: 31-1/2"
- Height: 28-1/2"
- Tap Deck: No
- Drain Included: Optional
- Drain Placement: End
- Faucet Included: No
- Faucet Drillings: No Drillings
- Built-In Adjusters: Yes
- Water Capacity Without/With Overflow (Gallons): 57/44
- Water Depth Without/With Overflow: 18"/14"
- Tub Weight Uncrated (lbs): 120
- Tub Weight Crated (lbs): 230

### CODES/STANDARDS

- cUPC
- CSA B45.5/IAPMO Z124



### SIGNATURE HARDWARE LIFETIME WARRANTY

See website for warranty information



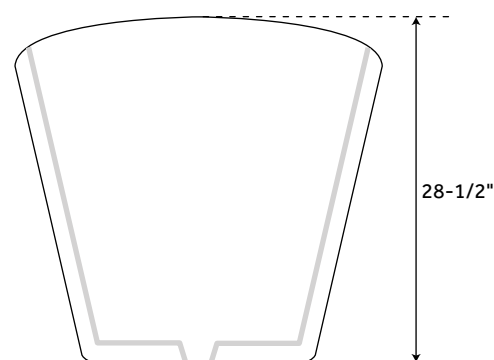
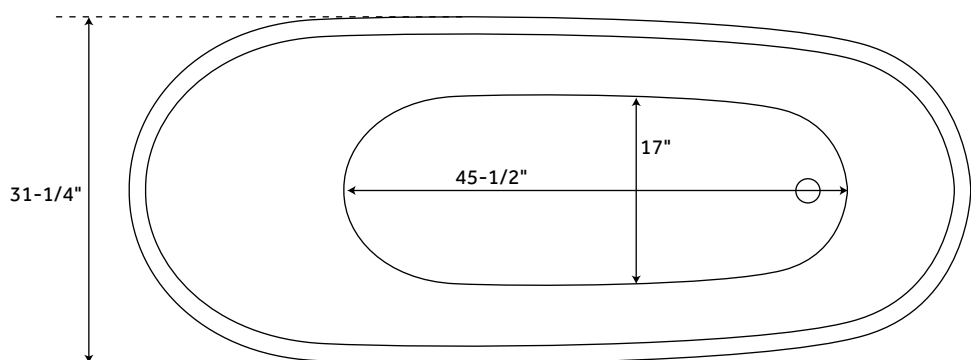
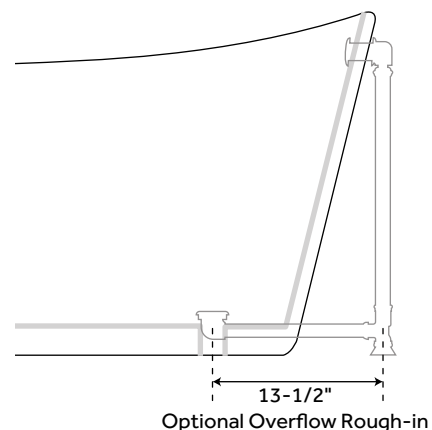
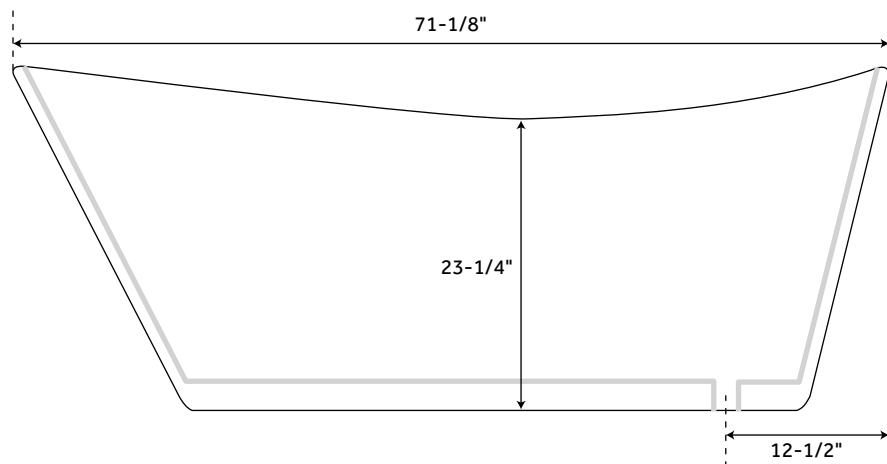
All measurements are approximate. Measurements may vary +/- 1/2".

REVISED 04/20/2019

# 71" SAUNDERS

## BLACK ACRYLIC FREESTANDING TUB

SKU: 930345



### FEATURES

Design: Modern  
Product Finish: Black  
Overflow Hole: Optional  
Shape: Oval  
Material: Acrylic  
Length: 71-1/8"  
Width: 31-1/4"  
Height: 28-1/2"  
Tap Deck: No  
Drain Included: Optional  
Drain Placement: End  
Faucet Included: No  
Faucet Drillings: No Drillings  
Built-In Adjusters: Yes  
Water Capacity Without/With Overflow (Gallons): 60/47  
Water Depth Without/With Overflow: 17-7/8"/13-7/8"  
Tub Weight Uncrated (lbs): 133  
Tub Weight Crated (lbs): 243

### CODES/STANDARDS

cUPC  
CSA B45.5/IAPMO Z124



### SIGNATURE HARDWARE LIFETIME WARRANTY

See website for warranty information



All measurements are approximate. Measurements may vary +/- 1/2".

REVISED 04/20/2019