

53" BAXTER

ACRYLIC FREESTANDING TUB

SKU: 929440



FEATURES

Design: Modern
Product Finish: White
Overflow Hole: Optional
Shape: Rectangle
Material: Acrylic
Length: 53-1/4"
Width: 25-1/4"
Height: 19-5/8"
Tub Interior Length: 33"
Tub Interior Width: 16"
Water Depth to Rim: 15"
Water Depth To Overflow: 12-1/4"
Tap Deck: No
Drain Included: Optional
Drain Placement: Center
Faucet Included: No
Faucet Drillings: No Drillings
Built-In Adjusters: Yes
Tub Weight Uncrated (lbs): 89
Tub Weight Crated (lbs): 199

SIGNATURE HARDWARE Lifetime Warranty

See website for detailed warranty information.

CONTENTS

AIR TUB	PAGE 2
53" TUB	PAGE 3

REVISED 4/12/2019

53" BAXTER AIR TUB

COMPONENTS LIST

- BM-TWP BALL CHECK VALVE JETS
- MANI-SD-A SECURITY DEVICE
- MAN-A-4-AC MANIFOLD
- SILVER SLS+ VARIABLE SPEED BLOWER

INSTALLATION

Install blower behind a wall (with an access panel) or in a closet. Blower can also be installed under floor. Ensure the security device, MANI-DS-A, is at least:

- 2" Above the bottom of overflow hole OR
- 2" Above the tub rim

Security device and hose can be mounted in wall

REMOTE CONTROL

- CG+/RTC-SENSOR-WP
- 12 – 15 YEAR BATTERY LIFE

INSIDE OF BATH

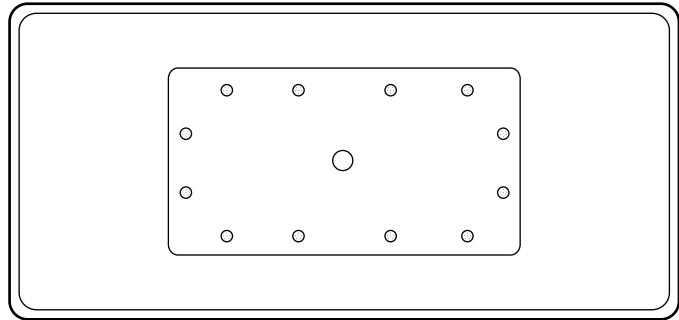
- (12) MAXI AIR JETS WITH 24 OPENINGS



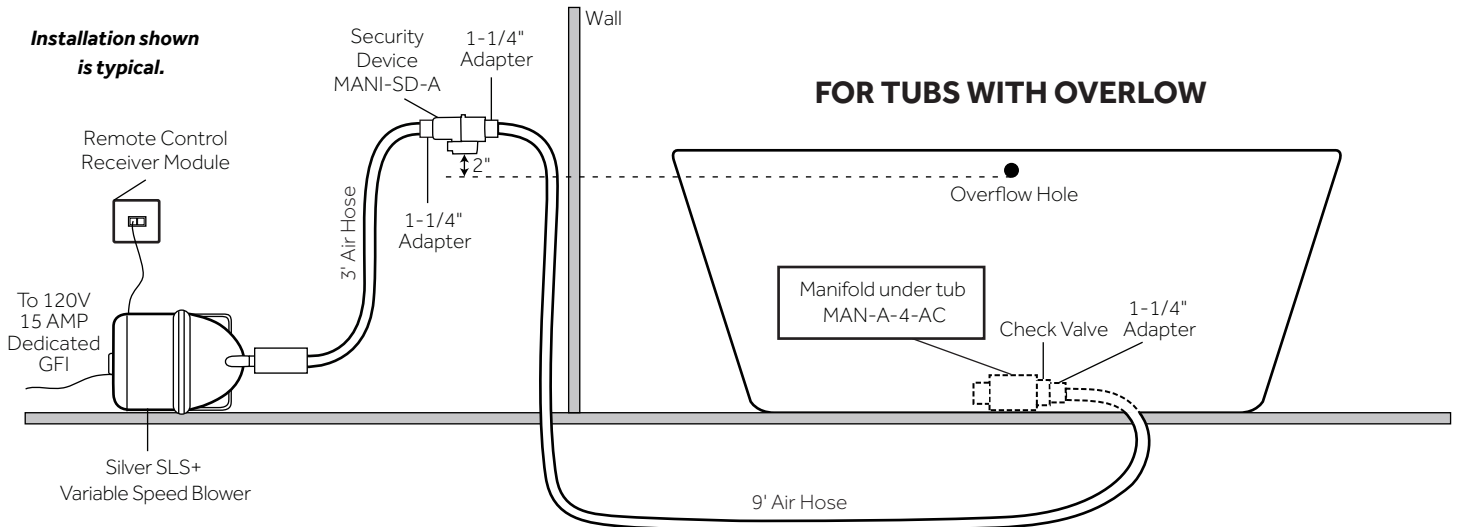
ELBOWS FOR AIR JETS



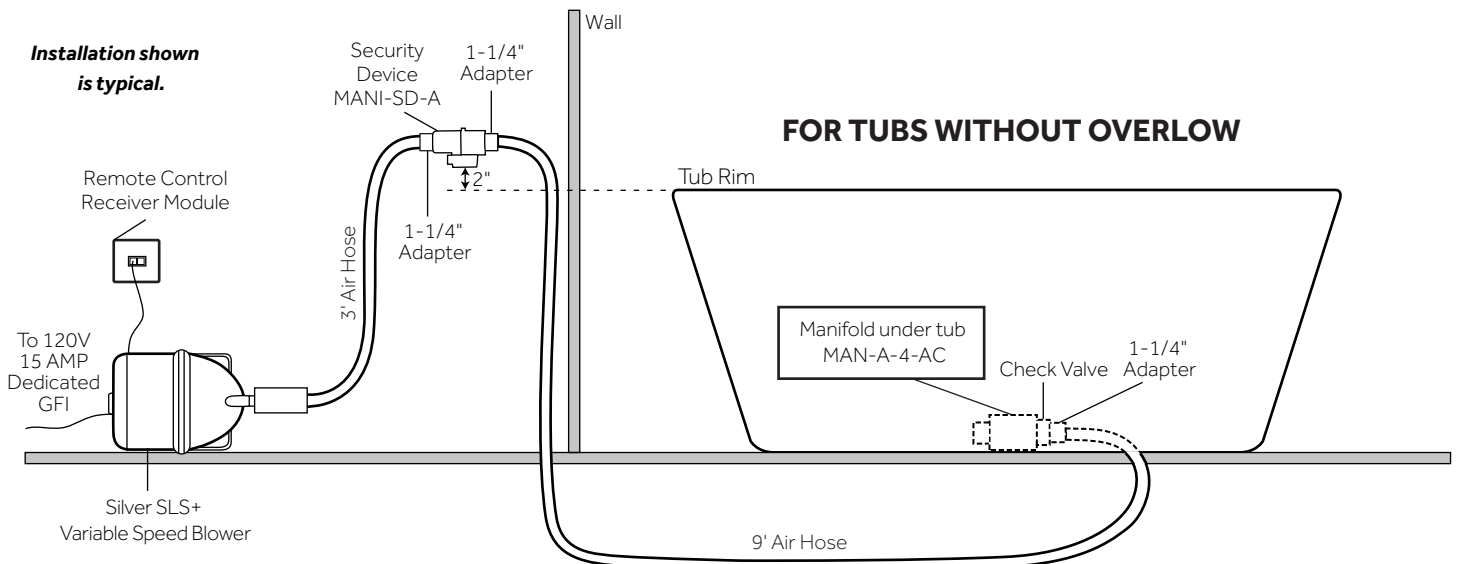
TEES FOR AIR JETS



FOR TUBS WITH OVERFLOW



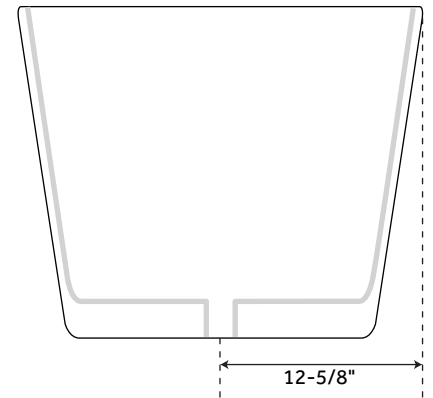
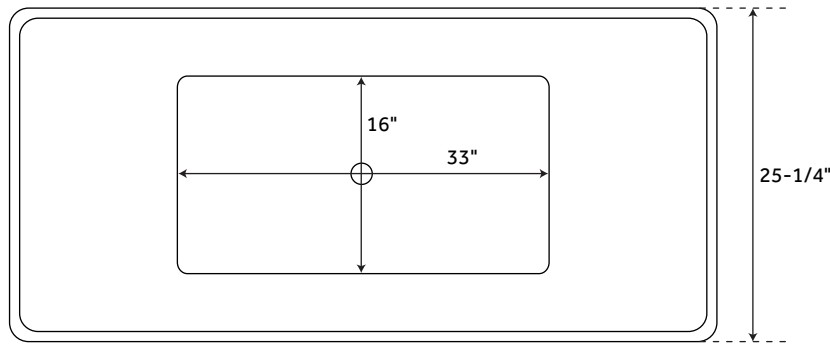
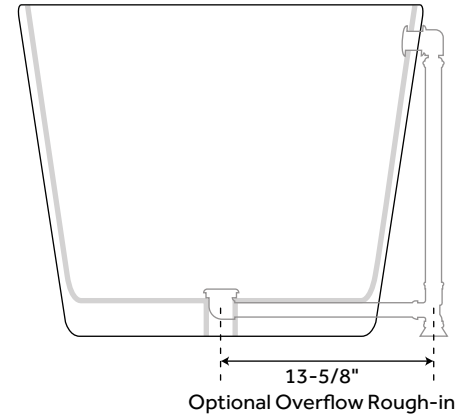
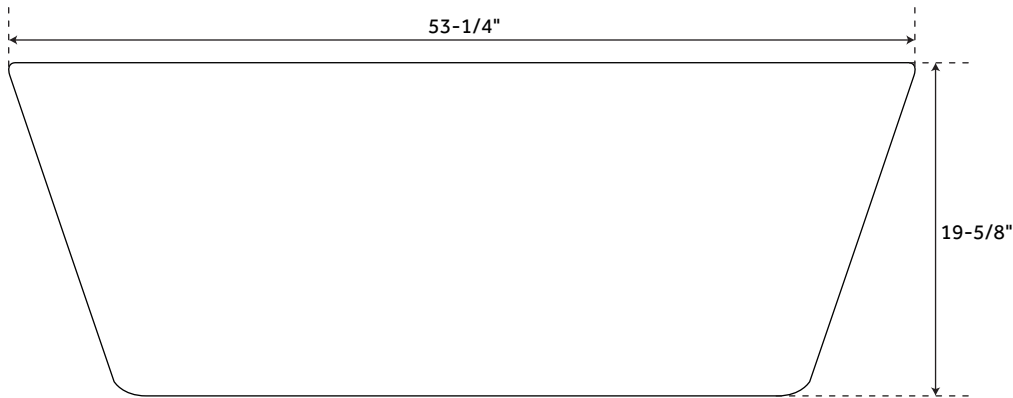
FOR TUBS WITHOUT OVERFLOW



53" BAXTER

ACRYLIC FREESTANDING TUB

SKU: 929440



FEATURES

Design: Modern
Product Finish: White
Overflow Hole: Optional
Shape: Rectangle
Material: Acrylic
Length: 53-1/4"
Width: 25-1/4"
Height: 19-5/8"
Tub Interior Length: 33"
Tub Interior Width: 16"
Water Depth to Rim: 15"
Water Depth To Overflow: 12-1/4"
Tap Deck: No
Drain Included: Optional
Drain Placement: Center
Faucet Included: No
Faucet Drillings: No Drillings
Built-In Adjusters: Yes
Tub Weight Uncrated (lbs): 89
Tub Weight Crated (lbs): 199

SIGNATURE HARDWARE LIFETIME WARRANTY

See website for warranty information



All measurements are approximate. Measurements may vary +/- 1".

PAGE 3