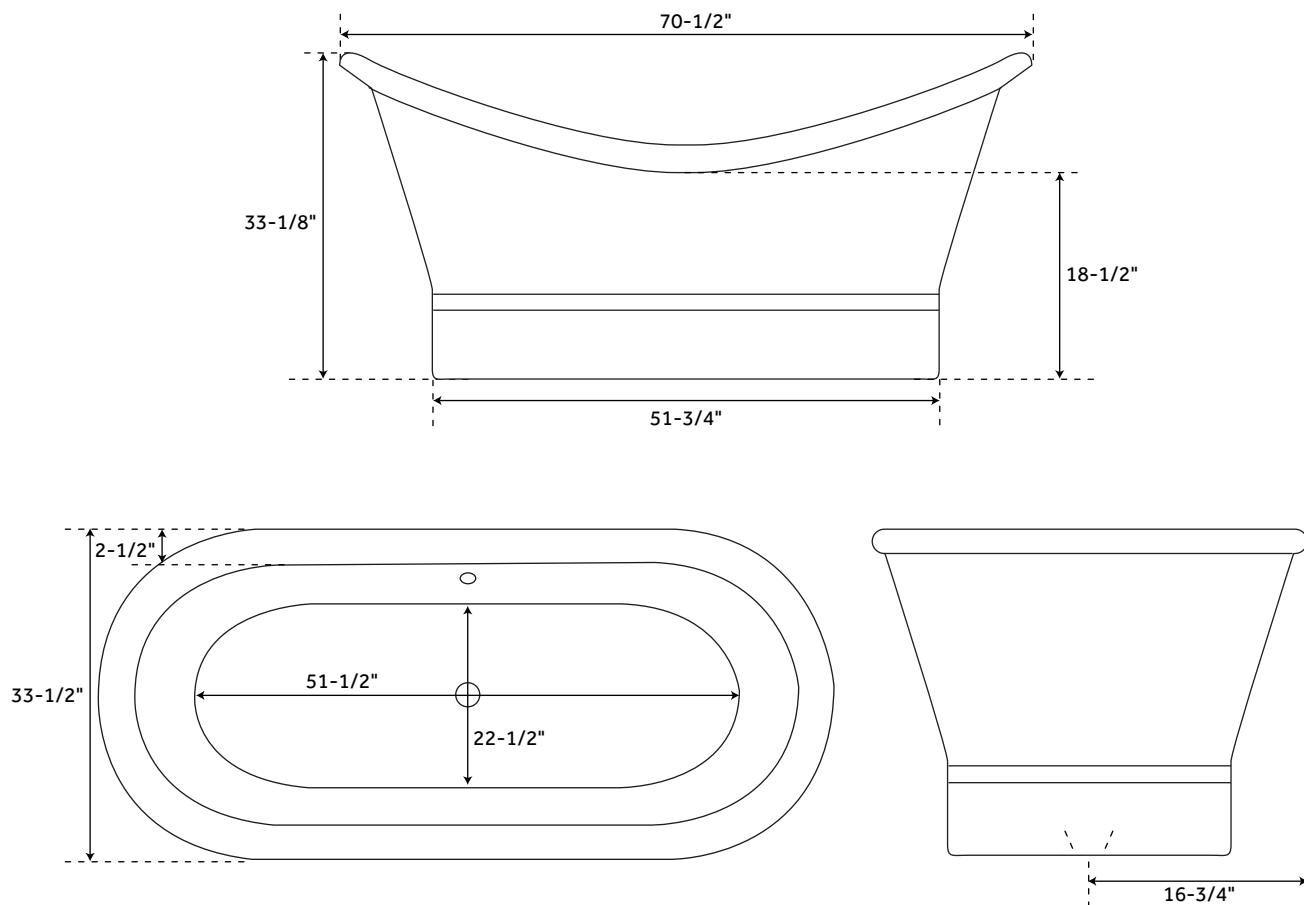


71" MORGAN

HAMMERED DARK COPPER DOUBLE-SLIPPER TUB

SKU: 927706



FEATURES

Product Finish: Dark Antique Copper
Overflow Hole: Optional
Shape: Oval
Material: Copper
Length: 70-1/2"
Width: 33-1/2"
Height: 33-1/8"
Tub Interior Length: 51-1/2"
Tub Interior Width: 22-1/2"
Water Depth To Overflow: 14-3/4"
Exterior Treatment: Hammered
Interior Treatment: Hammered
Metal Gauge/Thickness: 16 Gauge
Tap Deck: No
Drain Included: Optional
Drain Placement: Center
Faucet Included: No
Faucet Drillings: No Drillings
Tub Weight Uncrated (lbs): 107
Tub Weight Crated (lbs): 192

SIGNATURE HARDWARE LIFETIME WARRANTY

See website for warranty information



All measurements are approximate. Measurements may vary +/- 1/2".

REVISED 09/27/2018