



PRESSURE BALANCE SHOWER SYSTEM

WITH RAINFALL SHOWER HEAD & HAND SHOWER

SPECIFICATIONS

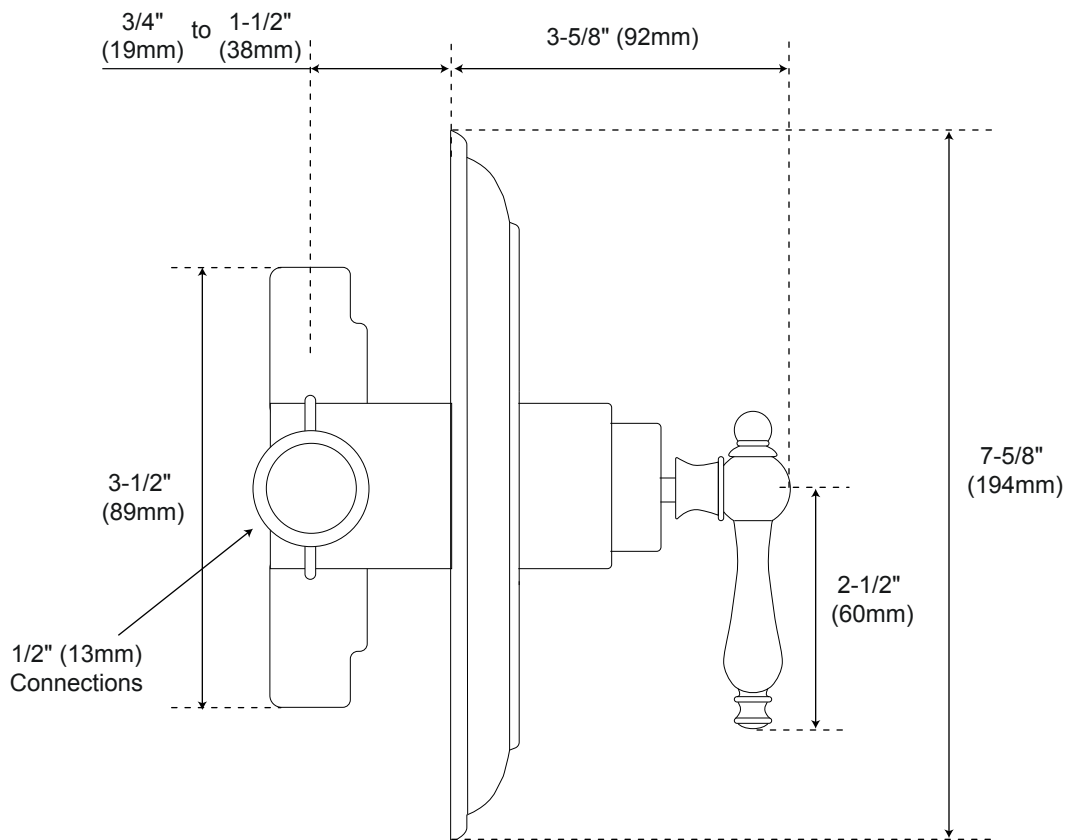
CONTENTS

Shower Valve	2
Diverter	3
Wall Shower Head	4
Overhead Shower Head	5
Handshower	6



Shower Valve

Side

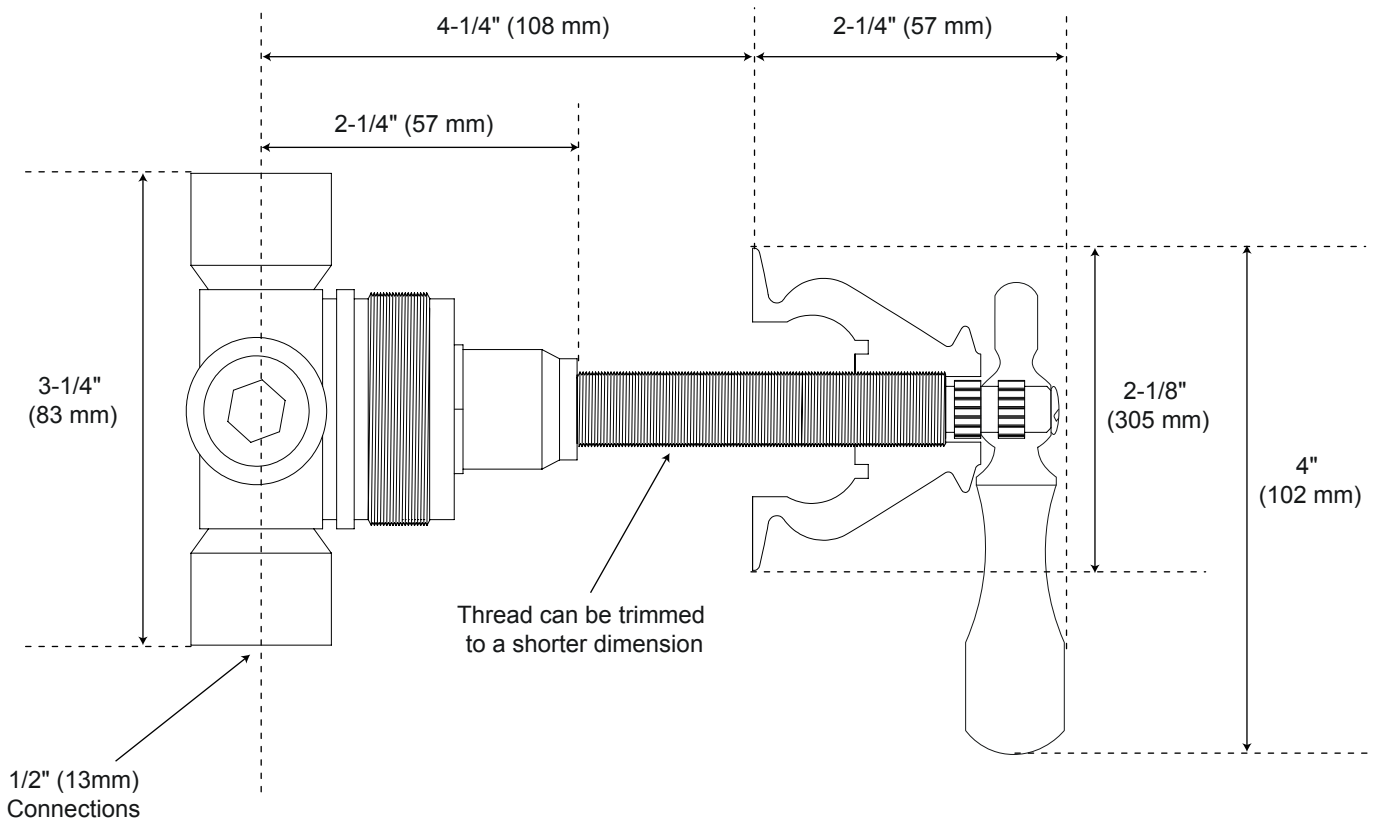


All product dimensions are nominal.



Diverter

Side

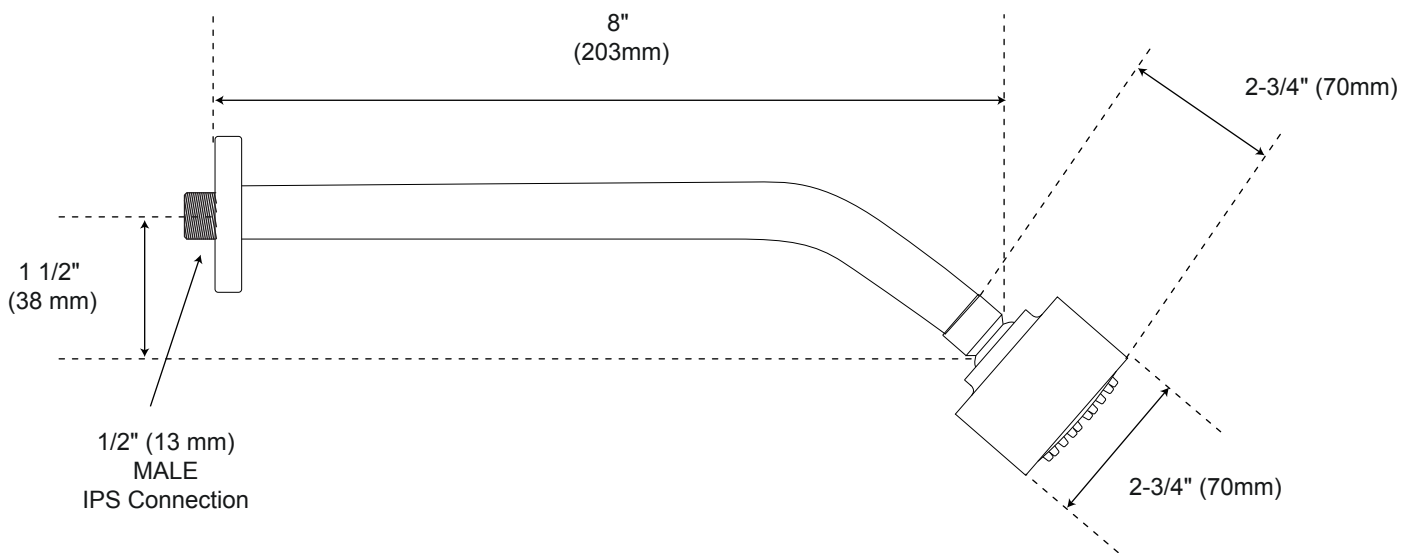


All product dimensions are nominal.



Wall Shower Head

Side

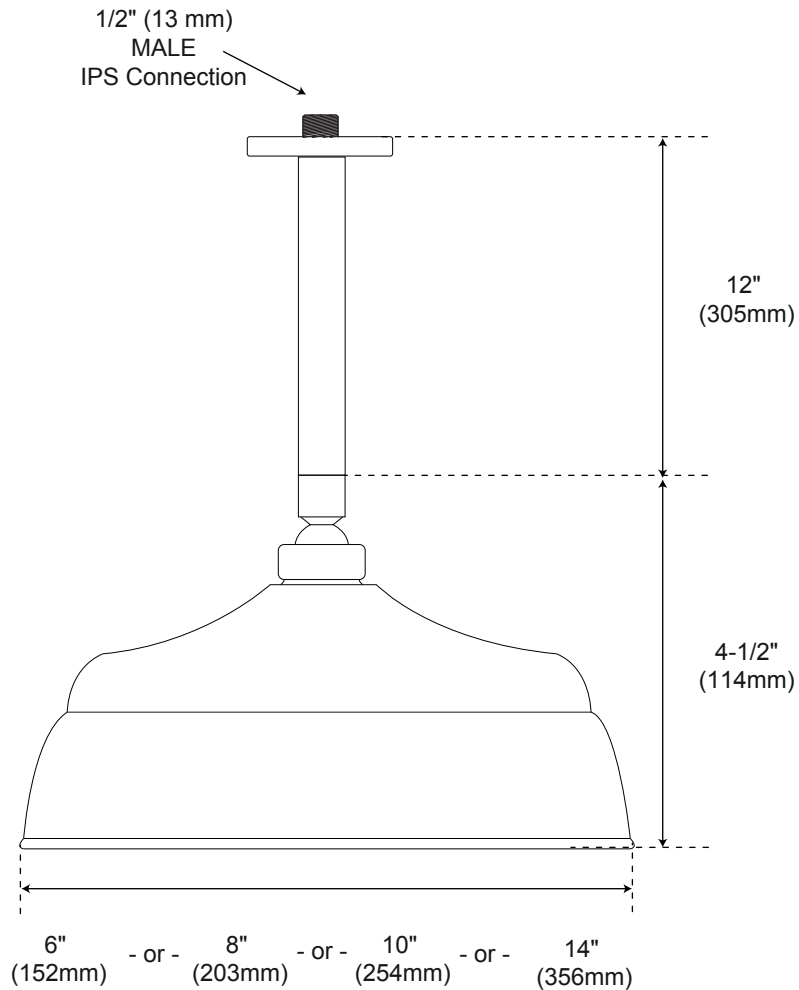


All product dimensions are nominal.



Overhead Shower Head

Side



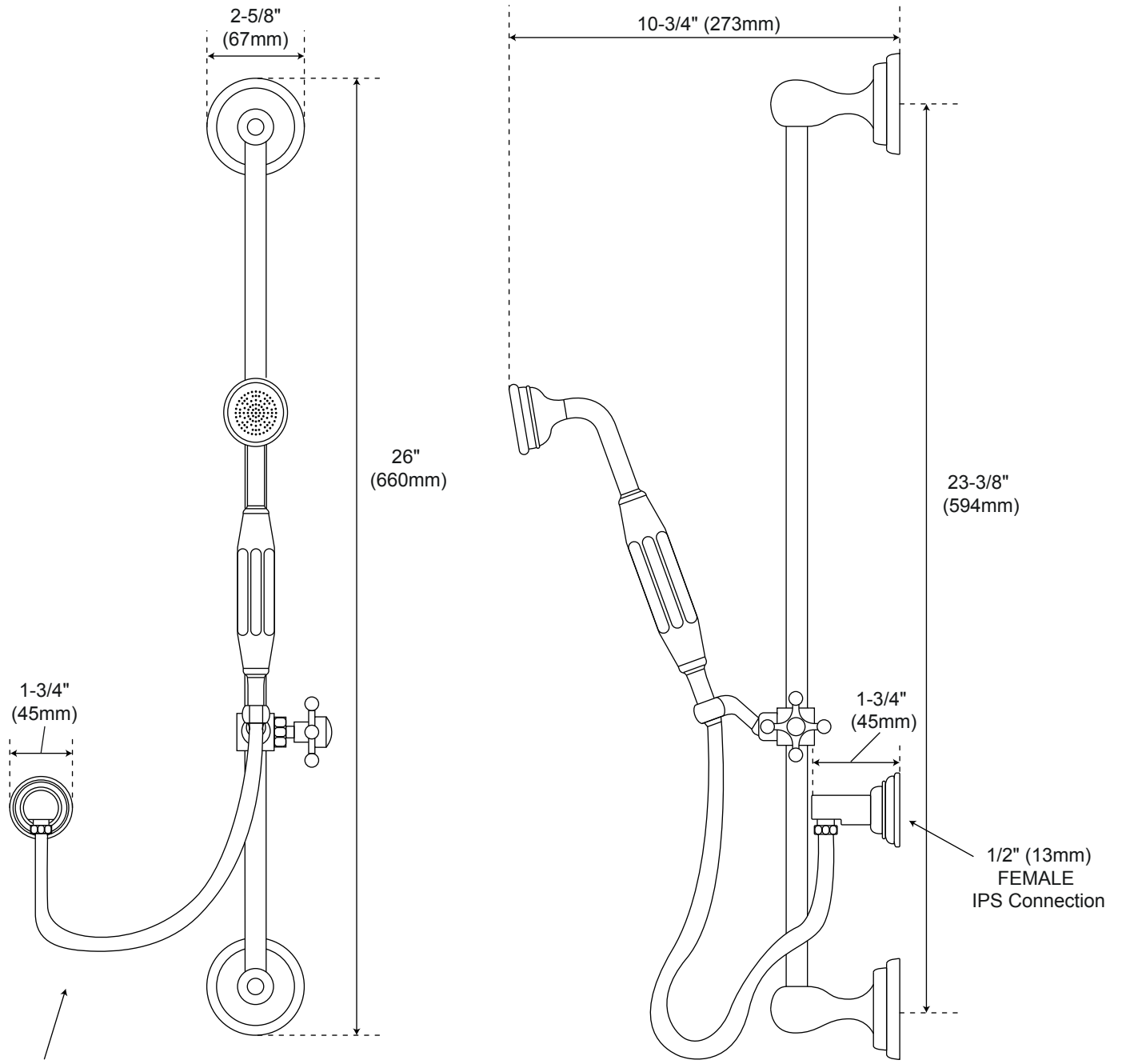
All product dimensions are nominal.



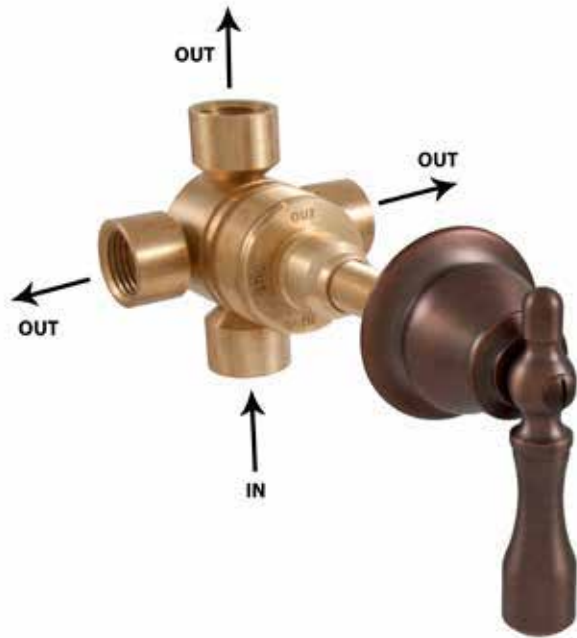
Handshower

Front

Side



All product dimensions are nominal.



All product dimensions are nominal.