

DELMARE

ACRYLIC FREESTANDING TUB

SKU: 926422



FEATURES

Design: Modern
Product Finish: White
Overflow Hole: Optional
Shape: Rectangle
Material: Acrylic
Tap Deck: No
Drain Included: No
Drain Placement: Center
Faucet Included: No
Faucet Drillings: No Drillings

SIGNATURE HARDWARE Lifetime Warranty

See website for detailed warranty information.

CONTENTS

AIR TUB	PAGE 2
59" TUB	PAGE 3
67" TUB	PAGE 4

REVISED 4/11/2019

DELMARE AIR TUB

COMPONENTS LIST

- BM-TWP BALL CHECK VALVE JETS
- MANI-SD-A SECURITY DEVICE
- MAN-A-4-AC MANIFOLD
- SILVER SLS+ VARIABLE SPEED BLOWER

INSTALLATION

Install blower behind a wall (with an access panel) or in a closet. Blower can also be installed under floor. Ensure the security device, MANI-DS-A, is at least:

- 2" Above the bottom of overflow hole OR
- 2" Above the tub rim

Security device and hose can be mounted in wall

REMOTE CONTROL

- CG+/RTC-SENSOR-WP
- 12 – 15 YEAR BATTERY LIFE

INSIDE OF BATH

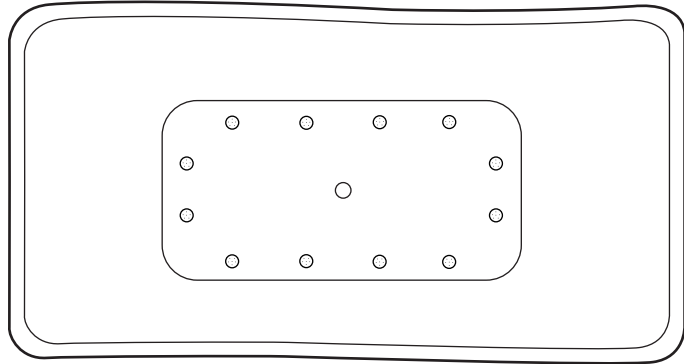
- (12) MAXI AIR JETS WITH 24 OPENINGS



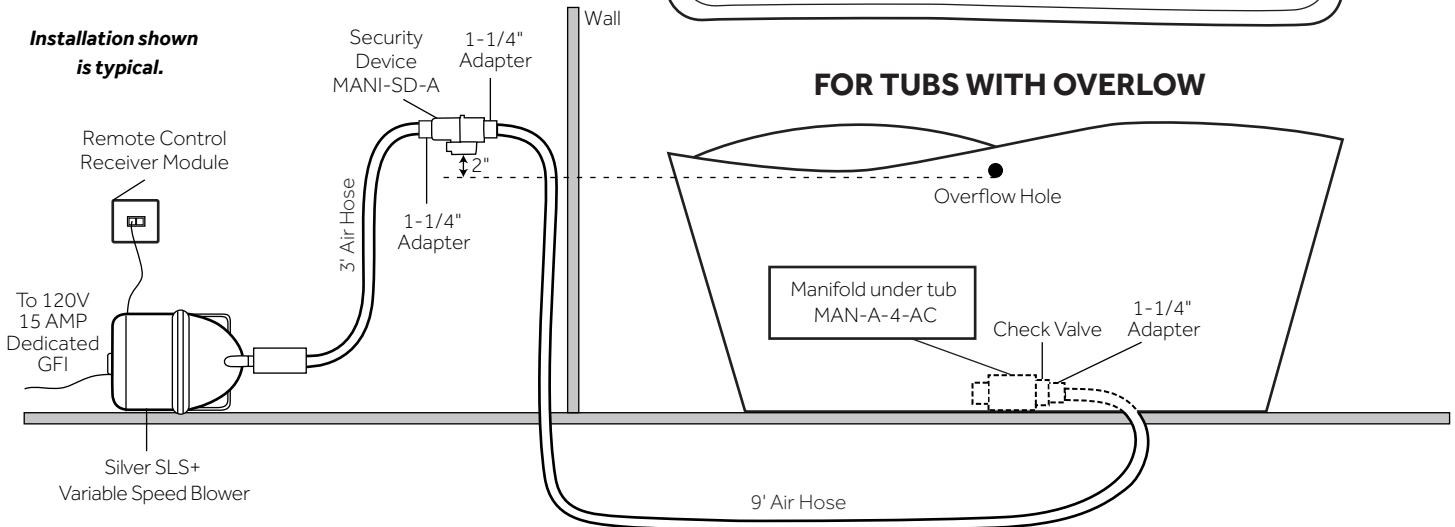
ELBOWS FOR AIR JETS



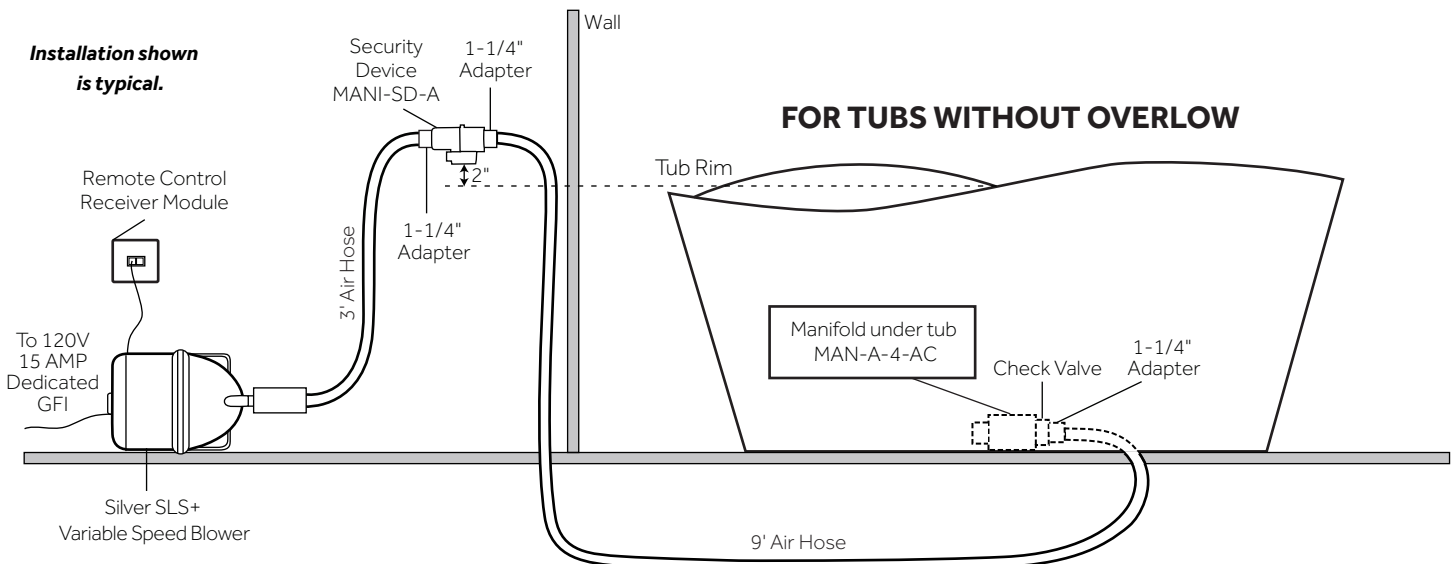
TEES FOR AIR JETS



FOR TUBS WITH OVERFLOW



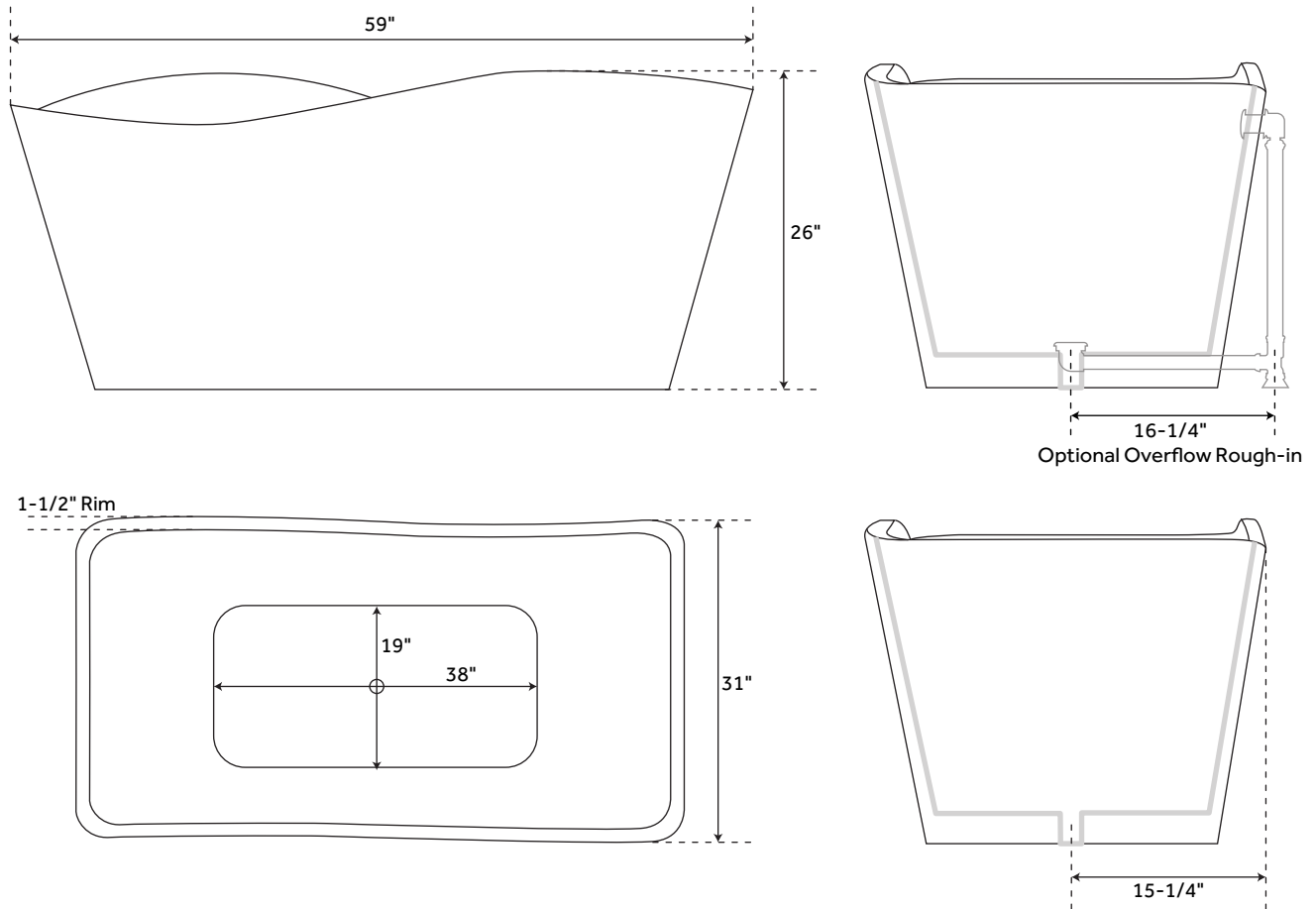
FOR TUBS WITHOUT OVERFLOW



59" DELMARE

ACRYLIC FREESTANDING TUB

SKU: 926422



FEATURES

Design: Modern
Product Finish: White
Overflow Hole: Optional
Shape: Rectangle
Material: Acrylic
Length: 59"
Width: 31"
Height: 26"
Tap Deck: No
Drain Included: No
Drain Placement: Center
Faucet Included: No
Faucet Drillings: No Drillings
Water Capacity Without/With Overflow
(Gallons): 51/40
Water Depth Without/With Overflow:
16-1/2"/13"
Tub Weight Uncrated (lbs): 133
Tub Weight Crated (lbs.): 243

SIGNATURE HARDWARE LIFETIME WARRANTY

See website for warranty information



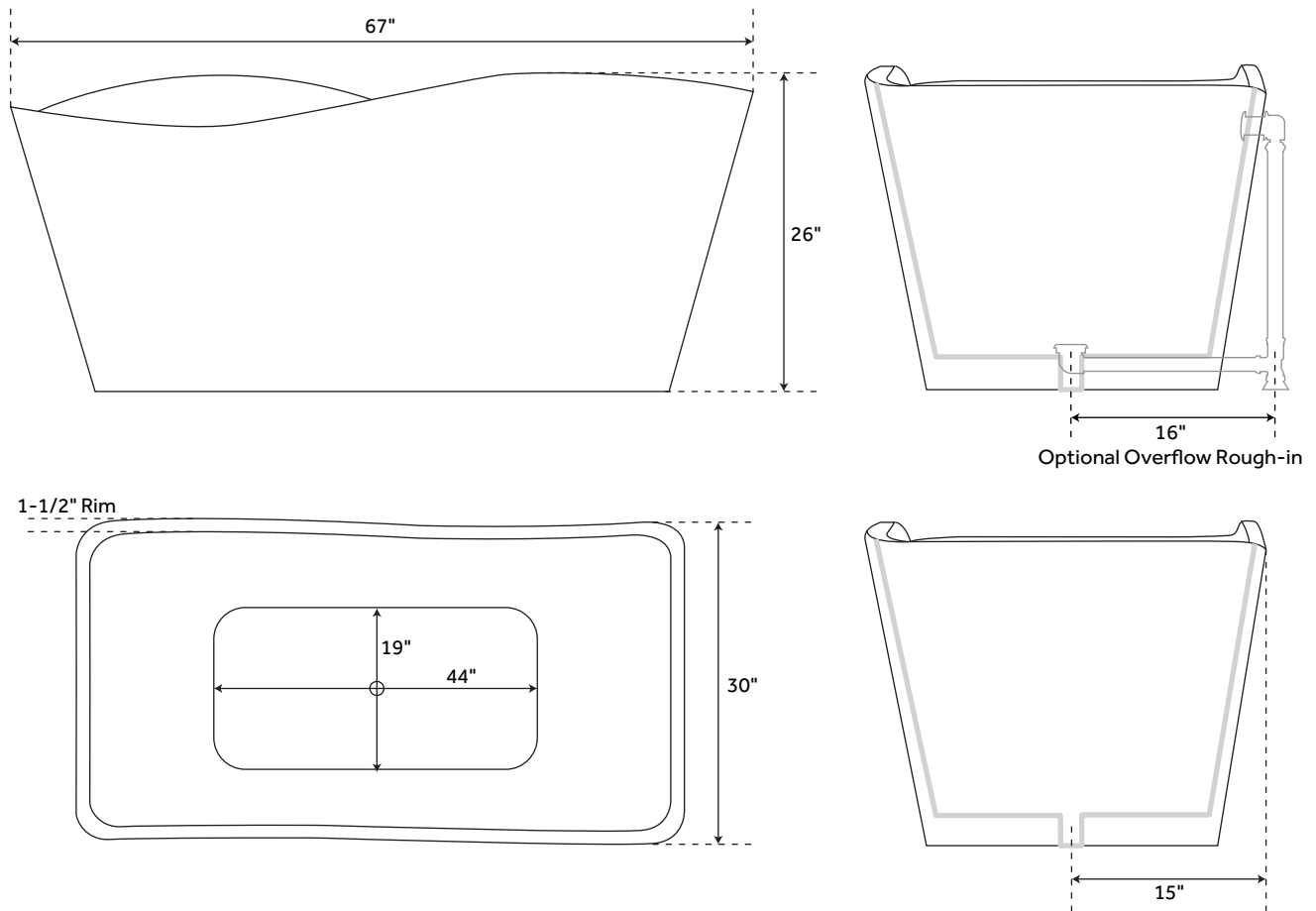
All measurements are approximate. Measurements may vary +/- 1".

PAGE 3

67" DELMARE

ACRYLIC FREESTANDING TUB

SKU: 926422



FEATURES

Design: Modern
Product Finish: White
Overflow Hole: Optional
Shape: Rectangle
Material: Acrylic
Length: 67"
Width: 30"
Height: 26"
Tap Deck: No
Drain Included: No
Drain Placement: Center
Faucet Included: No
Faucet Drillings: No Drillings
Water Capacity Without/With Overflow
(Gallons): 59/52
Water Depth Without/With Overflow:
16-1/2"/14-1/2"
Tub Weight Uncrated (lbs.): 139
Tub Weight Crated (lbs.): 249

SIGNATURE HARDWARE LIFETIME WARRANTY

See website for warranty information



All measurements are approximate. Measurements may vary +/- 1".

PAGE 4