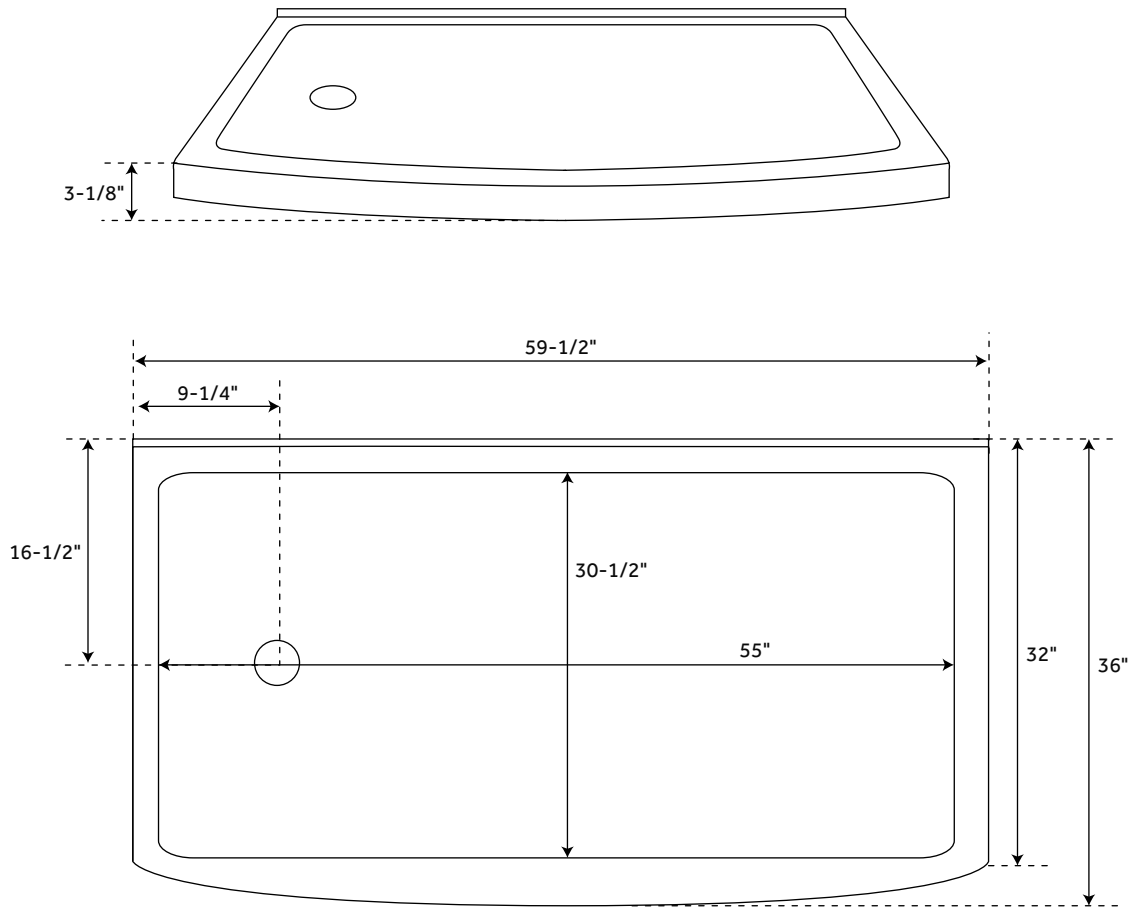


RECTANGULAR

CORNER SHOWER TRAY WITH CURVED FRONT

SKU: 925623



FEATURES

Product Finish: White
Material: Acrylic
Features: Shower Pan Only
Assembly Required: No
Size: 60" x 36"
Tray Length: 59-1/2"
Tray Width: 36"
Tray Height: 3-1/8"
Drain Included: No
Drain Size: 3-1/2"

SIGNATURE HARDWARE LIFETIME WARRANTY

See website for warranty information



All product dimensions are nominal.

REVISED 11/02/2018