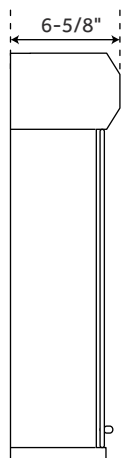
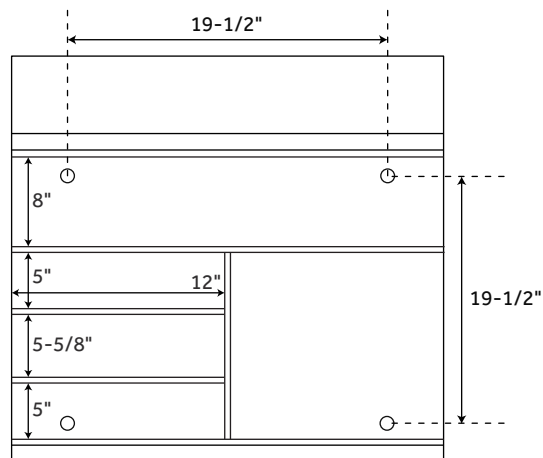
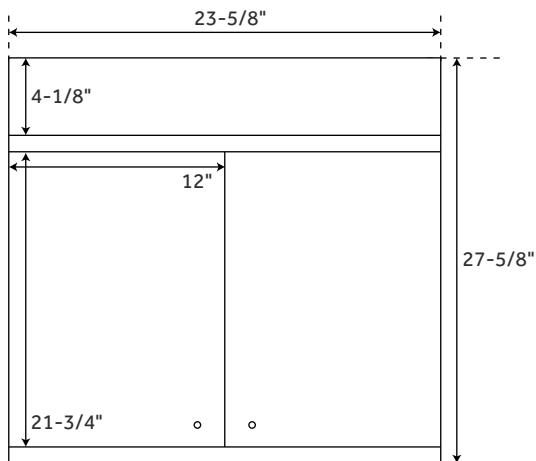


# DELVIEW

## STAINLESS STEEL MEDICINE CABINET WITH LIGHTED MIRROR

SKU: 922655



### FEATURES

Features: Double-sided Mirror, Framed, Lighted, Mirrored

Material: Stainless Steel

Design: Modern

Mirror Shape: Rectangle

Number of Doors: 2

Width: 23-5/8"

Height: 27-5/8"

Depth: 6-5/8"

Mounting Hardware Included: Yes

Assembly Required: No

Mirror Only Width: 23-5/8"

Mirror Only Height: 21-3/4"

Number of Shelves: 3

Adjustable Shelves: No

### CODES/STANDARDS

U.L. Listed



### SIGNATURE HARDWARE

#### LIFETIME WARRANTY

See website for warranty information



All dimensions and specifications are nominal and may vary. Use actual products for accuracy in critical situations.

REVISED 08/26/2019