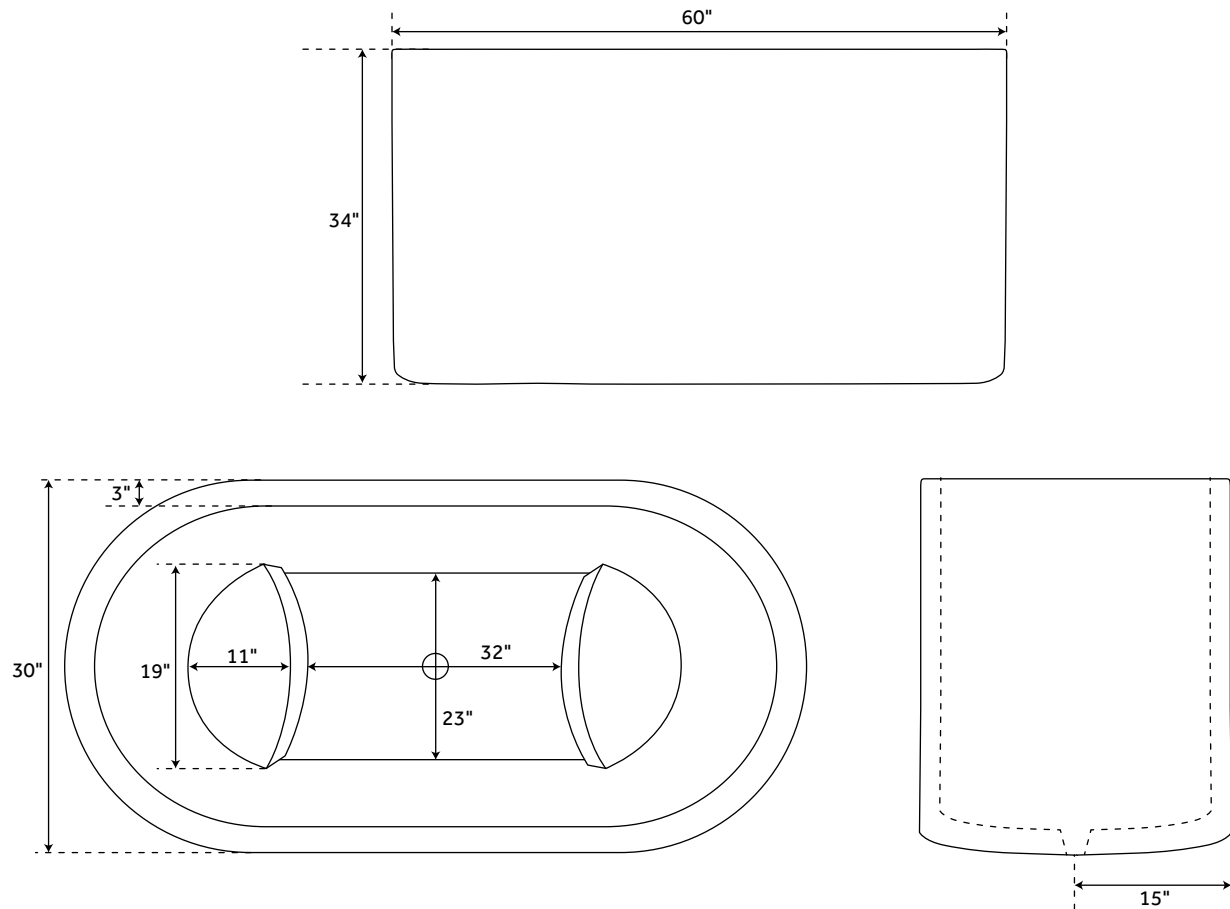


60" WATSON

DOUBLE-WALL HAMMERED COPPER SOAKING TUB

SKU: 921994



FEATURES

Product Finish: Antique Copper Patina
Features: Press & Seal Drain
Overflow Hole: Optional
Shape: Oval
Length: 60"
Width: 30"
Height: 34"
Tub Interior Length: 54"
Tub Interior Width: 23"
Water Depth to Rim: 28-3/4"
Water Depth To Overflow: 26"
Exterior Treatment: Hammered
Interior Treatment: Hammered
Metal Gauge/Thickness: 14 Gauge
Tap Deck: No
Drain Included: Optional
Drain Placement: Center
Faucet Included: No
Faucet Drillings: No Drillings
Tub Weight Uncrated (lbs): 200
Tub Weight Crated (lbs): 310

SIGNATURE HARDWARE LIFETIME WARRANTY

See website for warranty information



All measurements are approximate. Measurements may vary +/- 1/2".

REVISED 09/27/2018