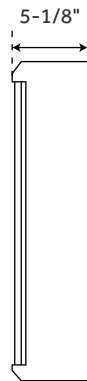
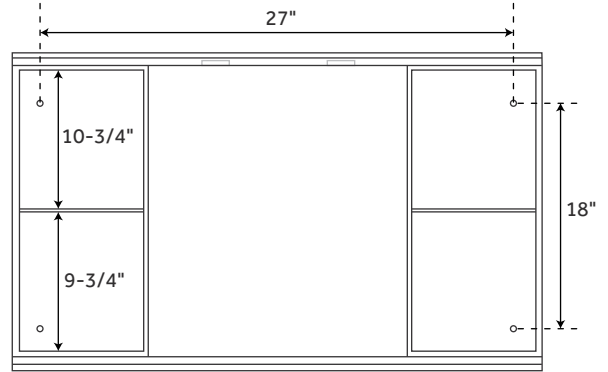
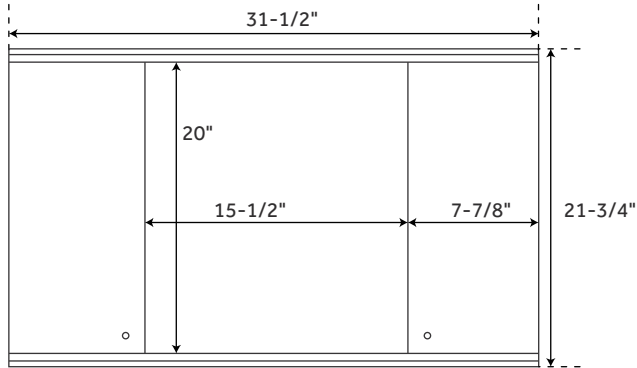


ILLUMINE

DUAL STAINLESS STEEL MEDICINE CABINET WITH LIGHTED MIRROR

SKU: 919909



FEATURES

Features: Framed, Lighted, Mirrored
Material: Stainless Steel
Mirror Shape: Rectangle
Number of Doors: 2
Width: 31-1/2"
Height: 21-3/4"
Depth: 5-1/8"
Mounting Hardware Included: Yes
Assembly Required: No
Mirror Only Width: 15-1/2"
Mirror Only Height: 20"
Number of Shelves: 3
Surface mounted
Pair of LED lights included
Hard-wired

CODES/STANDARDS

U.L. Listed

SIGNATURE HARDWARE LIFETIME WARRANTY

See website for warranty information



All dimensions and specifications are nominal and may vary. Use actual products for accuracy in critical situations.

REVISED 08/26/2019