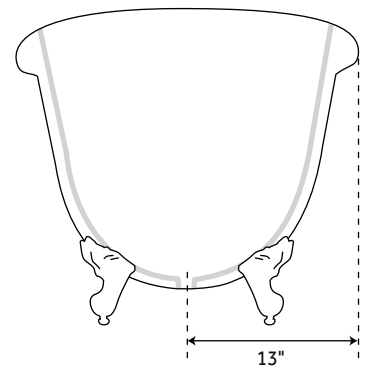
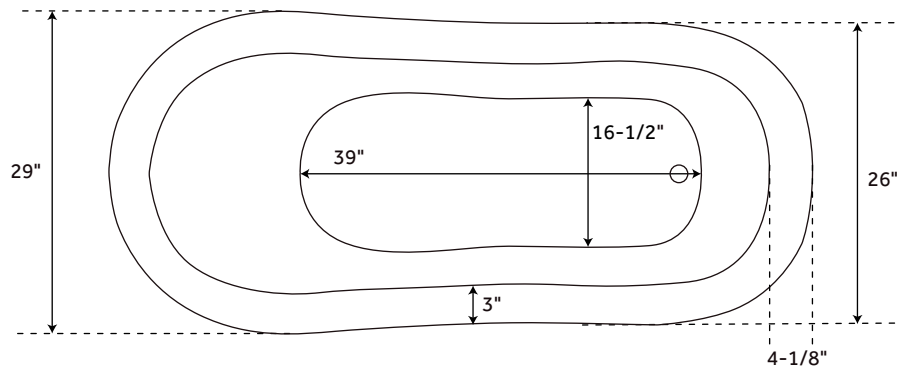
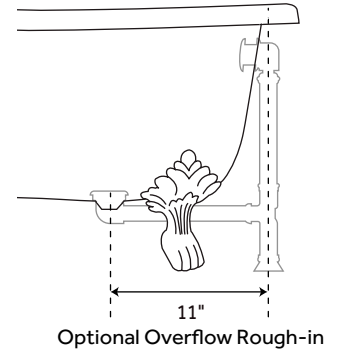
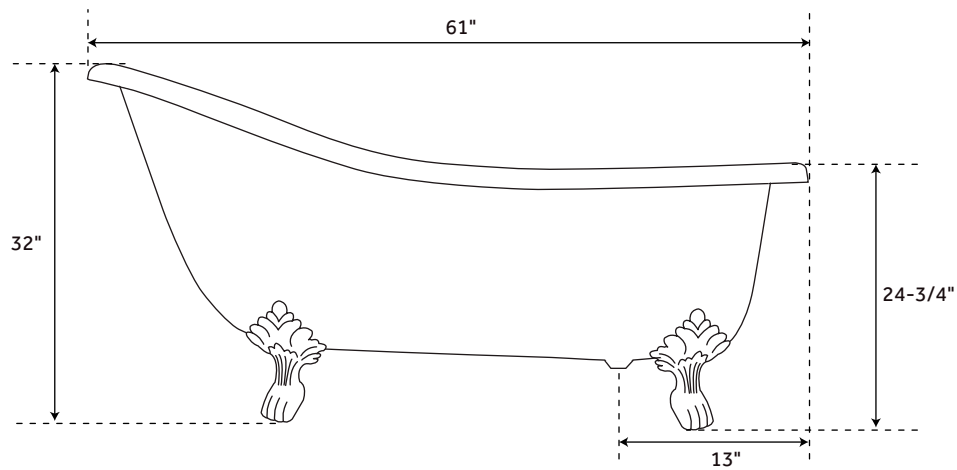


61" HATTIE

ACRYLIC SLIPPER TUB - LION PAW FEET

SKU: 916558



FEATURES

Product Finish: White
Features: Custom Painting Available
Shape: Oval
Material: Acrylic
Width: 29"
Height: 32"
Tub Interior Width: 16-1/2"
Water Depth to Rim: 17-1/8"
Water Depth To Overflow: 13-1/2"
Feet Type: Lion Paw
Feet Material: Cast Aluminum
Drain Included: No
Drain Placement: End
Faucet Included: No
Built-In Adjusters: Yes
Tub Weight Uncrated (lbs): 85
Tub Weight Crated (lbs): 310

SIGNATURE HARDWARE LIFETIME WARRANTY

See website for warranty information



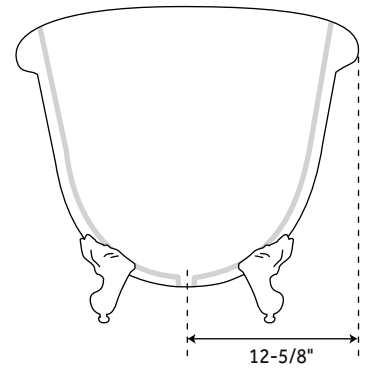
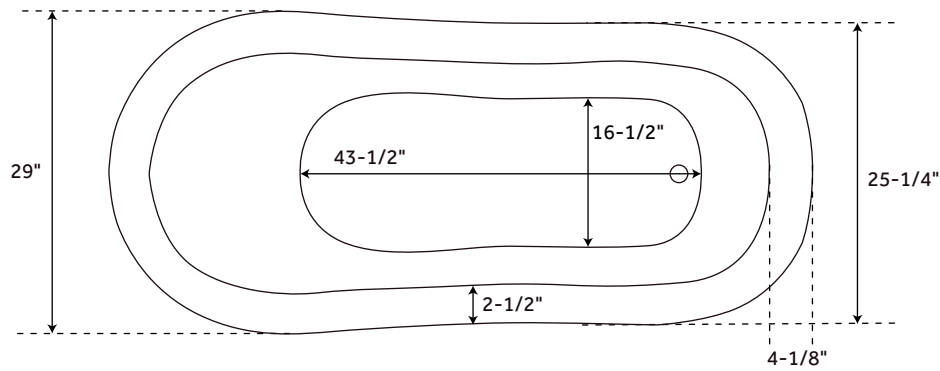
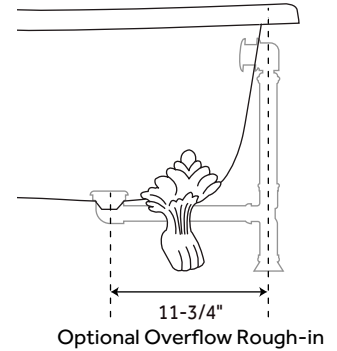
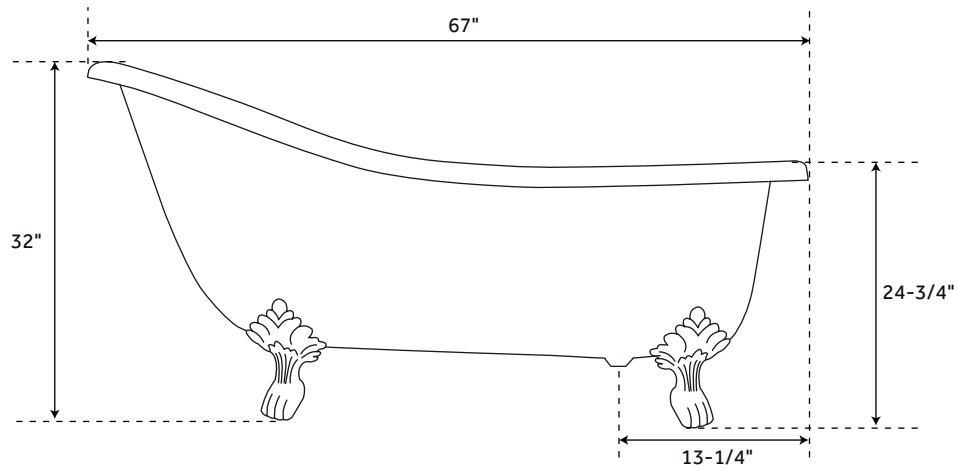
All measurements are approximate. Measurements may vary +/- 1/2".

REVISED 12/04/2018

67" HATTIE

ACRYLIC SLIPPER TUB - LION PAW FEET

SKU: 916558



FEATURES

Product Finish: White
Features: Custom Painting Available
Shape: Oval
Material: Acrylic
Width: 29"
Height: 32"
Tub Interior Width: 16-1/2"
Water Depth to Rim: 17-1/8"
Water Depth To Overflow: 13-1/2"
Feet Type: Lion Paw
Feet Material: Cast Aluminum
Drain Included: No
Drain Placement: End
Faucet Included: No
Built-In Adjusters: Yes
Tub Weight Uncrated (lbs): 90
Tub Weight Crated (lbs): 315

SIGNATURE HARDWARE LIFETIME WARRANTY

See website for warranty information



All measurements are approximate. Measurements may vary +/- 1/2".

REVISED 12/04/2018