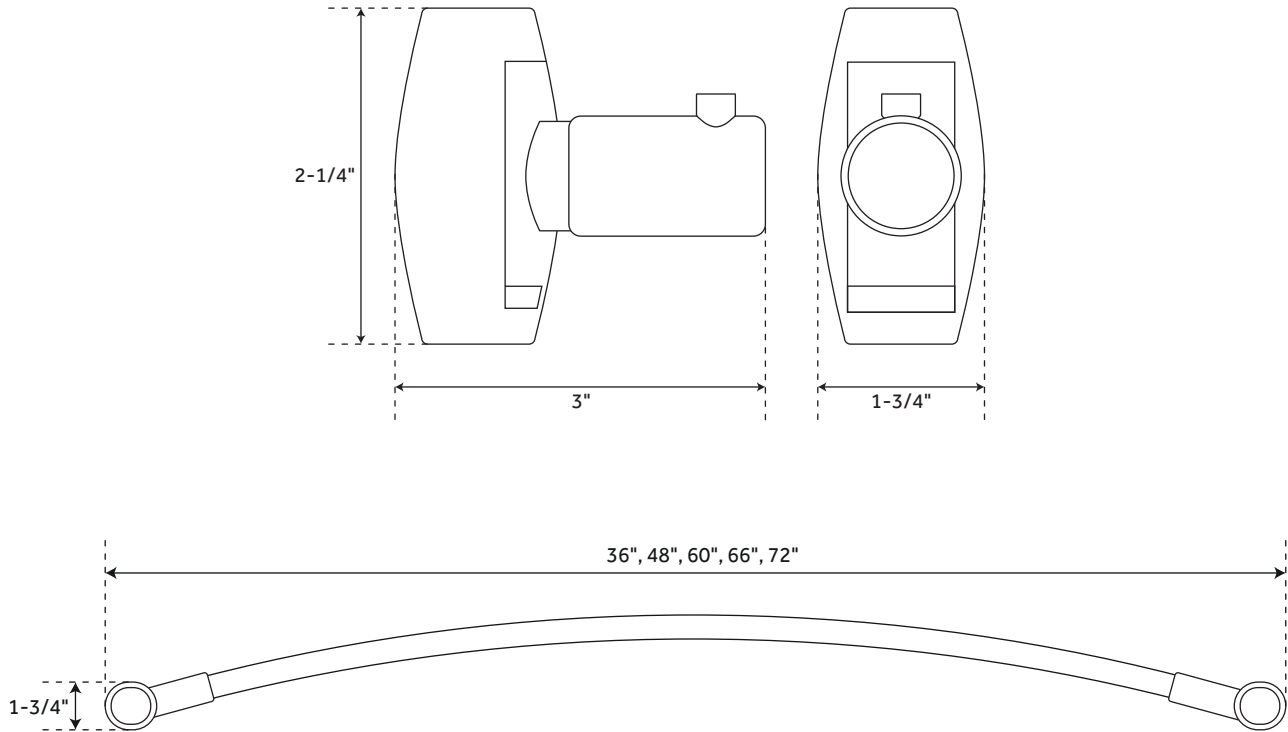


CURVED

SHOWER CURTAIN ROD

SKU: 911700



FEATURES

- Mounting Hardware Included: Yes
- Mounting Hardware Concealed: Yes
- Shower Rod Diameter: 1"
- Product length includes flange dimensions
- Shower rod may be cut to desired length
- Flanges Width: 1-3/4"
- Flange Height: 2-1/4"
- Shower Rod Curves: 22°

SIGNATURE HARDWARE LIFETIME WARRANTY

See website for warranty information



All measurements are approximate. Measurements may vary +/- 1/2".

REVISED 04/29/2019