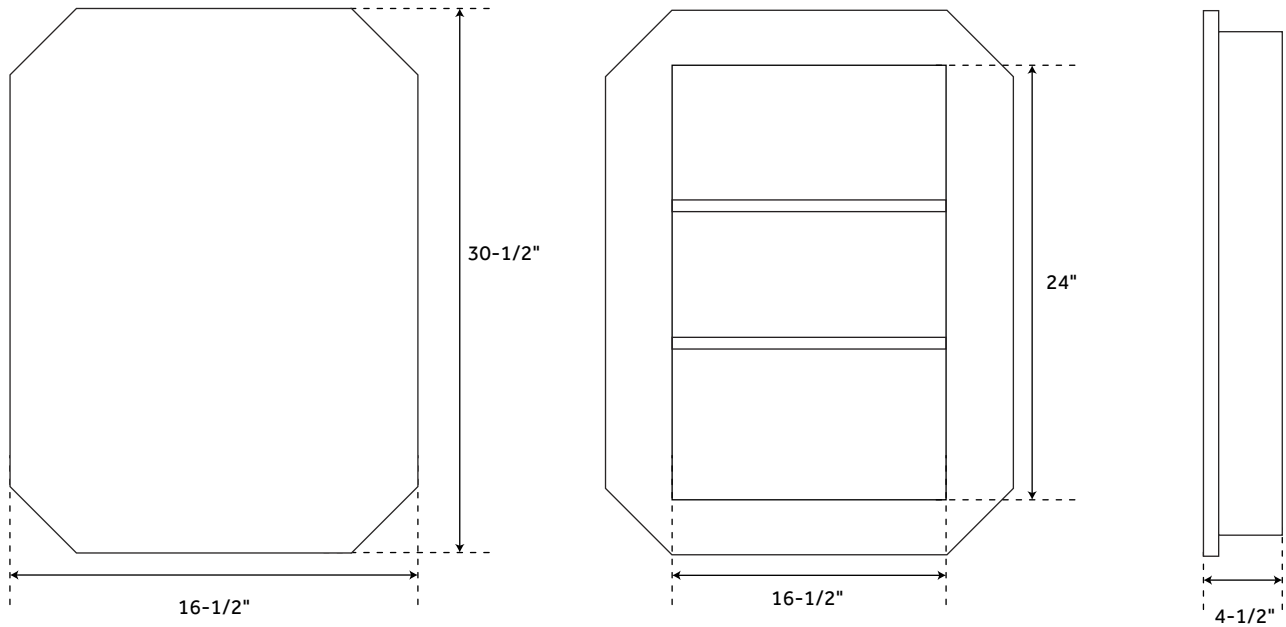


# 16-1/2" X 30" OXFORD

MEDICINE CABINET WITH BEVELED GLASS - SURFACE MOUNT

SKU: 911149



## FEATURES

Features: Frameless, Mirrored  
Material: Plastic  
Design: Traditional  
Mirror Shape: Rectangle  
Number of Doors: 1  
Depth: 4-1/2"  
Assembly Required: No  
Door Opens: Reversible  
Number of Shelves: 2  
Adjustable Shelves: Yes  
30" overall dimensions: 16-1/2" L x 4-1/2" W (front to back) x 30-1/2" H ( $\pm 1/2"$ )  
30" recess mount requires rough opening of: 14" L x 2-1/2" W (front to back) x 24" H ( $\pm 1/2"$ )  
Storage Depth: 3-1/2"  
Surface mount

## SIGNATURE HARDWARE LIFETIME WARRANTY

See website for warranty information



All dimensions and specifications are nominal and may vary. Use actual products for accuracy in critical situations.

REVISED 08/28/2019