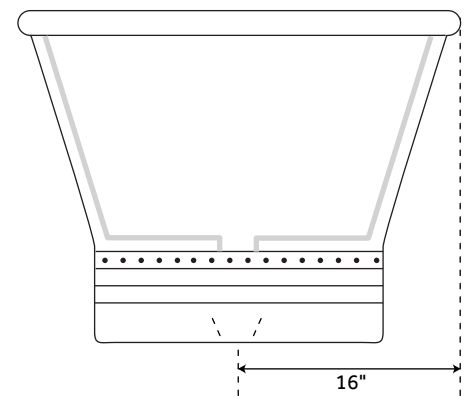
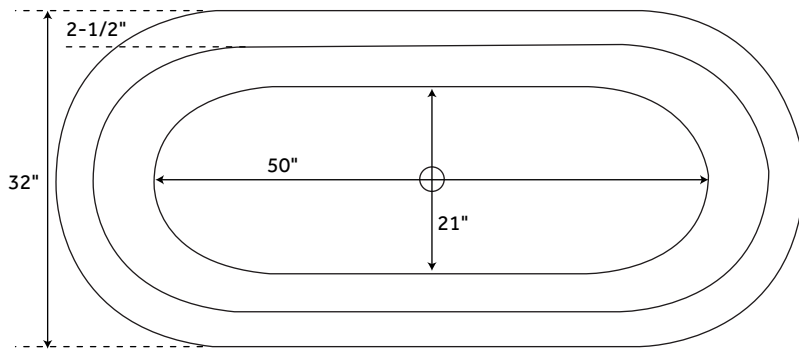
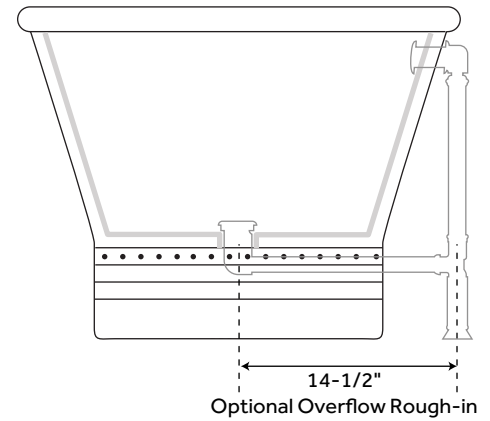
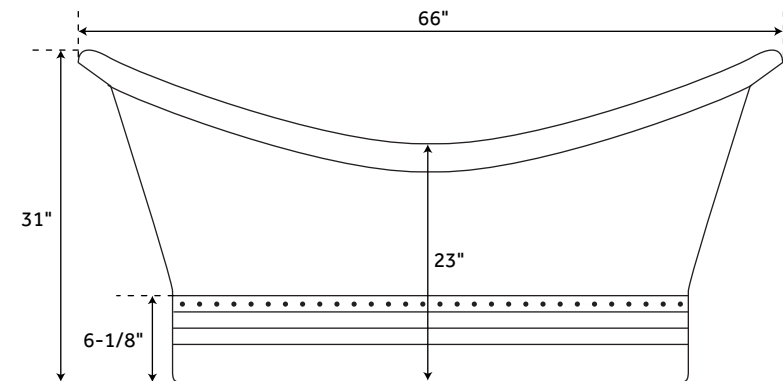


66" PAIGE

HAMMERED COPPER DOUBLE-SLIPPER TUB - NICKEL INTERIOR

SKU: 909274



FEATURES

- Product Finish: Antique Copper Patina
- Overflow Hole: Optional
- Shape: Oval
- Material: Copper
- Exterior Treatment: Hammered
- Interior Treatment: Polished
- Metal Gauge/Thickness: 16 Gauge
- Tap Deck: No
- Drain Included: Optional
- Drain Placement: Center
- Faucet Included: No
- Faucet Drillings: No Drillings
- Water Capacity With Overflow (Gallons): 64
- Water Depth To Overflow: 14-1/4"
- Tub Weight Uncrated (lbs): 170
- Tub Weight Crated (lbs): 325

SIGNATURE HARDWARE LIFETIME WARRANTY

See website for warranty information



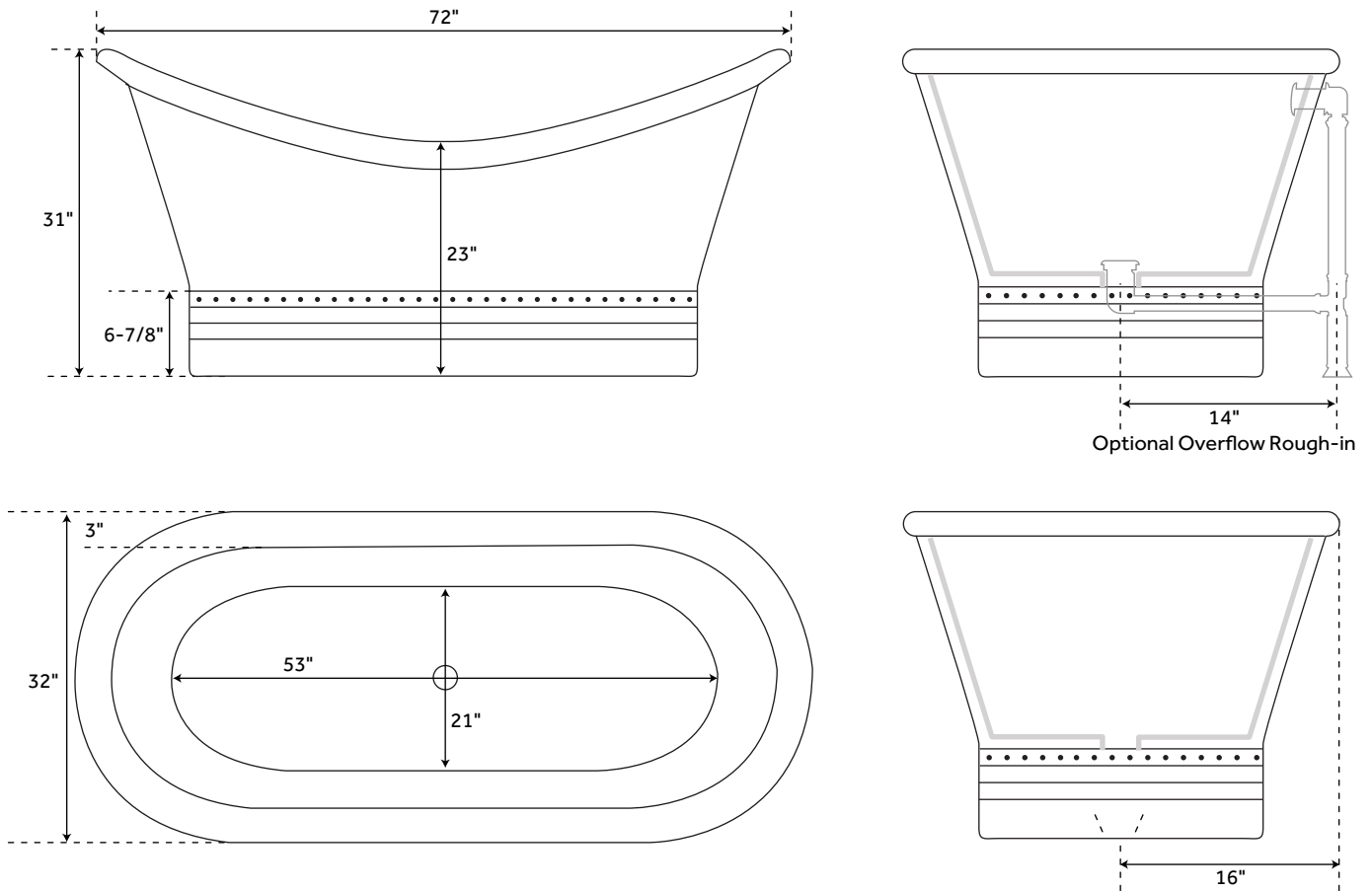
All measurements are approximate. Measurements may vary +/- 1/2".

REVISED 01/29/2019

72" PAIGE

HAMMERED COPPER DOUBLE-SLIPPER TUB - NICKEL INTERIOR

SKU: 909274



FEATURES

- Product Finish: Antique Copper Patina
- Overflow Hole: Optional
- Shape: Oval
- Material: Copper
- Exterior Treatment: Hammered
- Interior Treatment: Polished
- Metal Gauge/Thickness: 16 Gauge
- Tap Deck: No
- Drain Included: Optional
- Drain Placement: Center
- Faucet Included: No
- Faucet Drillings: No Drillings
- Water Capacity With Overflow (Gallons): 67
- Water Depth To Overflow: 14"
- Tub Weight Uncrated (lbs): 170
- Tub Weight Crated (lbs): 325

SIGNATURE HARDWARE

LIFETIME WARRANTY

See website for warranty information



All measurements are approximate. Measurements may vary +/- 1/2".

REVISED 01/29/2019