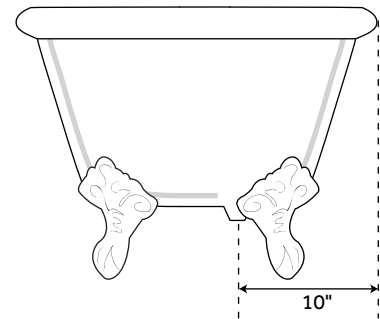
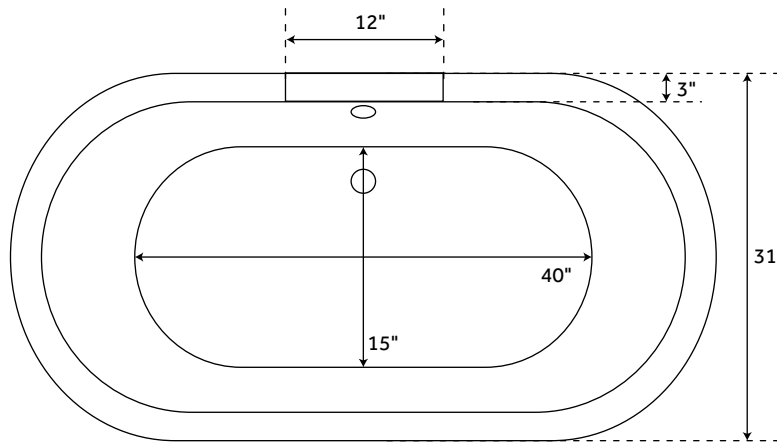
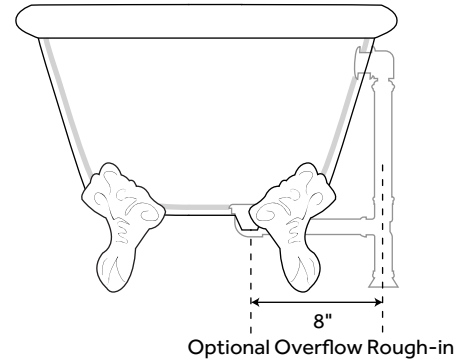
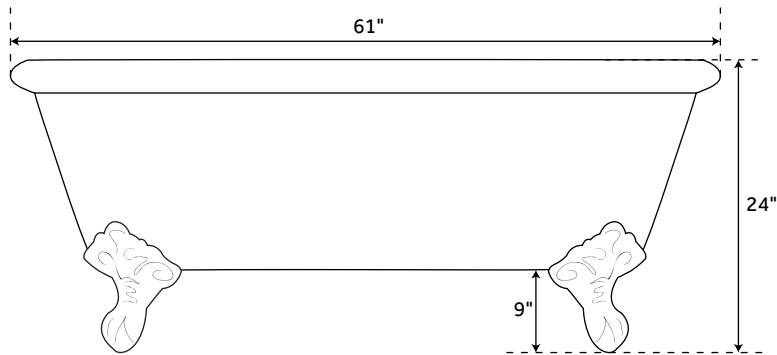


61" CECILIA

CAST IRON CLAWFOOT TUB - MONARCH IMPERIAL FEET

SKU: 907131



FEATURES

Design: Traditional
Product Finish: White
Features: Custom Painting Available
Overflow Hole: Yes
Shape: Oval
Material: Cast Iron
Exterior Treatment: Hand-Smoothed
Painted White
Interior Treatment: White Porcelain Enamel
Feet Type: Imperial
Feet Material: Solid Brass
Tap Deck: No
Drain Placement: Offset
Faucet Included: No
Built-In Adjusters: Yes
Length: 61"
Width: 31"
Height: 24"
Water Capacity (Gallons): 35
Weight Uncrated: 300
Weight Crated: 410

SIGNATURE HARDWARE LIFETIME WARRANTY

See website for warranty information



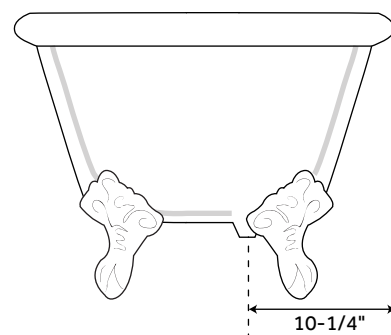
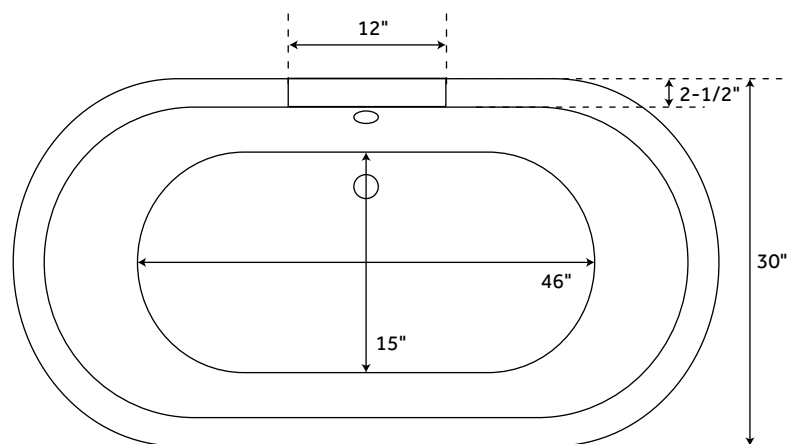
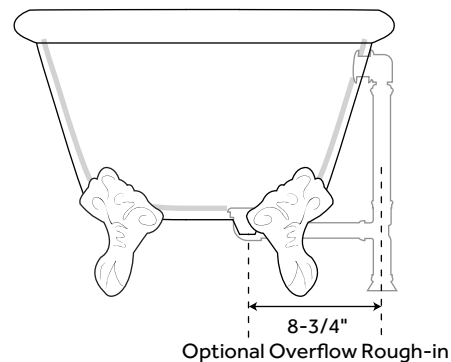
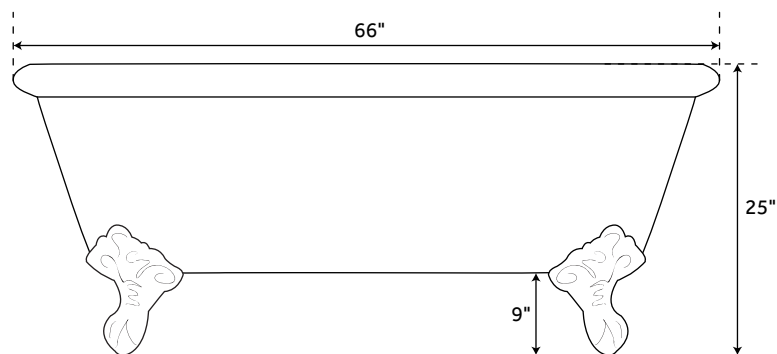
All measurements are approximate. Measurements may vary +/- 1/2".

REVISED 12/04/2018

66" CECILIA

CAST IRON CLAWFOOT TUB - MONARCH IMPERIAL FEET

SKU: 907131



FEATURES

Design: Traditional
Product Finish: White
Features: Custom Painting Available
Overflow Hole: Yes
Shape: Oval
Material: Cast Iron
Exterior Treatment: Hand-Smoothed
Painted White
Interior Treatment: White Porcelain Enamel
Feet Type: Imperial
Feet Material: Solid Brass
Tap Deck: No
Drain Placement: Offset
Faucet Included: No
Built-In Adjusters: Yes
Length: 66"
Width: 30"
Height: 25"
Water Capacity (Gallons): 50
Weight Uncrated: 315
Weight Crated: 403

SIGNATURE HARDWARE LIFETIME WARRANTY

See website for warranty information



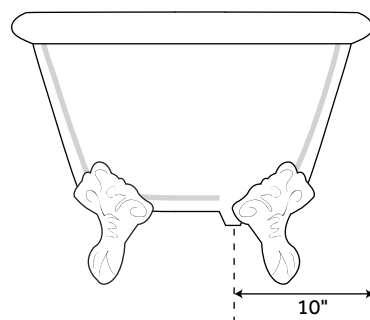
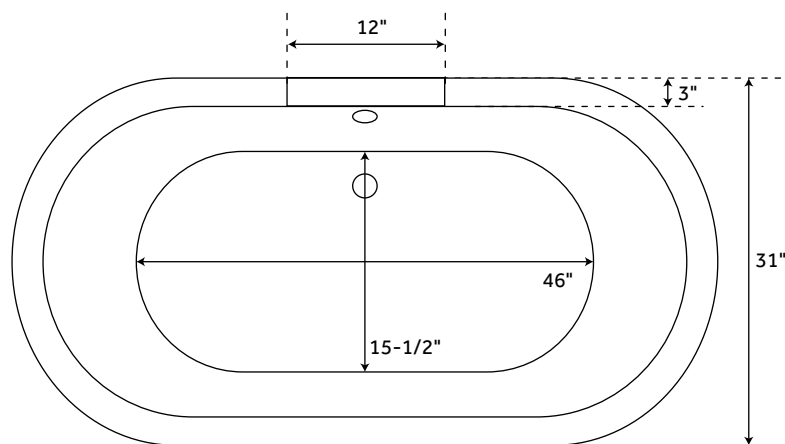
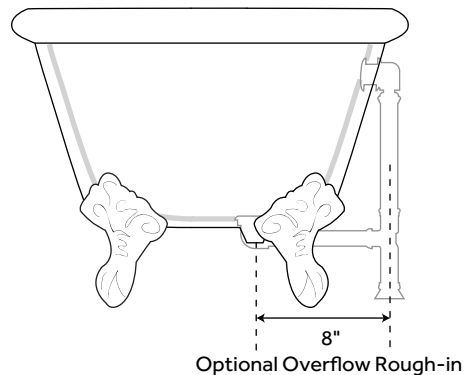
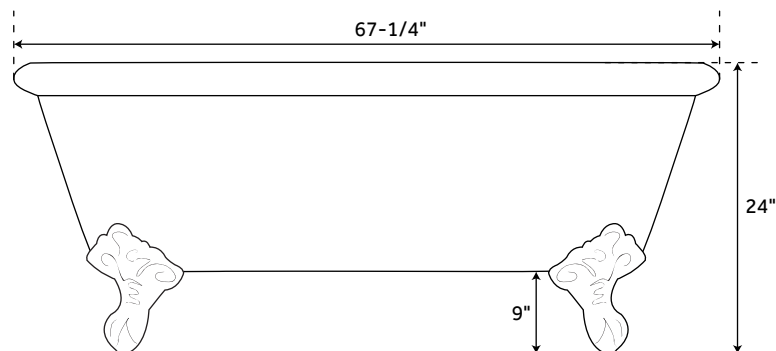
All measurements are approximate. Measurements may vary +/- 1/2".

REVISED 12/04/2018

67" CECILIA

CAST IRON CLAWFOOT TUB - MONARCH IMPERIAL FEET

SKU: 907131



FEATURES

Design: Traditional
Product Finish: White
Features: Custom Painting Available
Overflow Hole: Yes
Shape: Oval
Material: Cast Iron
Exterior Treatment: Hand-Smoothed
Painted White
Interior Treatment: White Porcelain Enamel
Feet Type: Imperial
Feet Material: Solid Brass
Tap Deck: No
Drain Placement: Offset
Faucet Included: No
Built-In Adjusters: Yes
Length: 67-1/4"
Width: 31"
Height: 24"
Water Capacity (Gallons): 41
Weight Uncrated: 300
Weight Crated: 410

SIGNATURE HARDWARE LIFETIME WARRANTY

See website for warranty information



All measurements are approximate. Measurements may vary +/- 1/2".

REVISED 12/04/2018