



# **OXFORD THERMOSTATIC TUB AND SHOWER SET 18" ARCHING SHOWER ARM AND HAND SHOWER - 1/2" IPS**

## **SPECIFICATIONS**

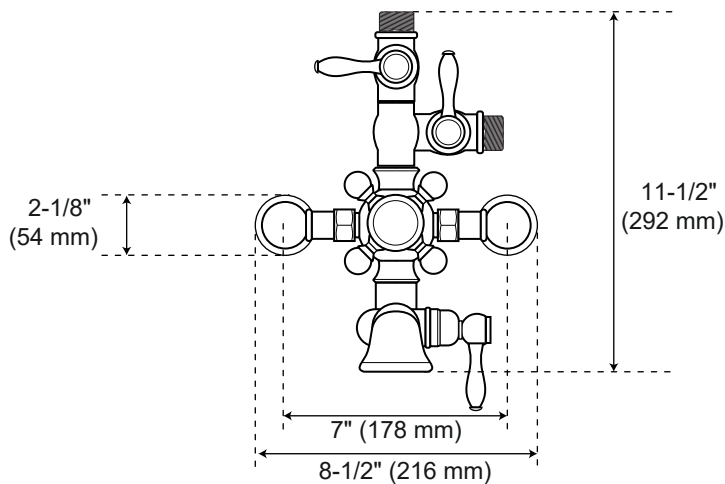
### **CONTENTS**

<b>Shower Valve.....</b>	<b>2</b>
<b>Wall Shower Head.....</b>	<b>3</b>
<b>Handshower.....</b>	<b>4</b>

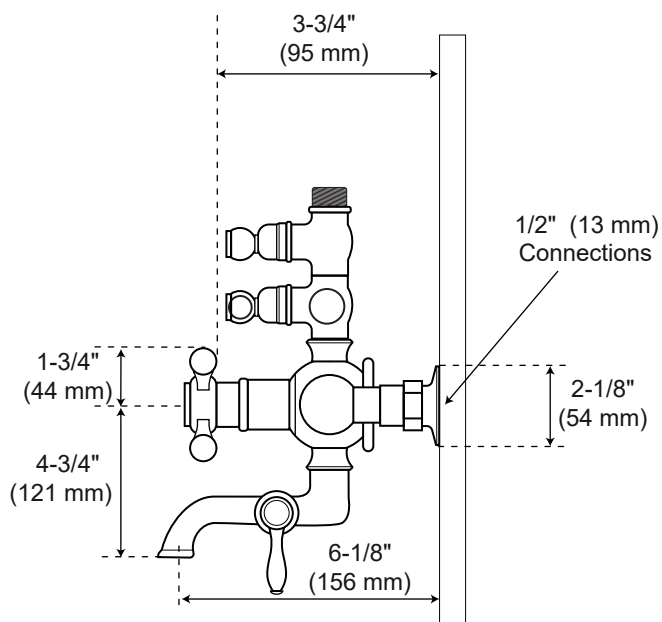


# Shower Valve

Front



Side

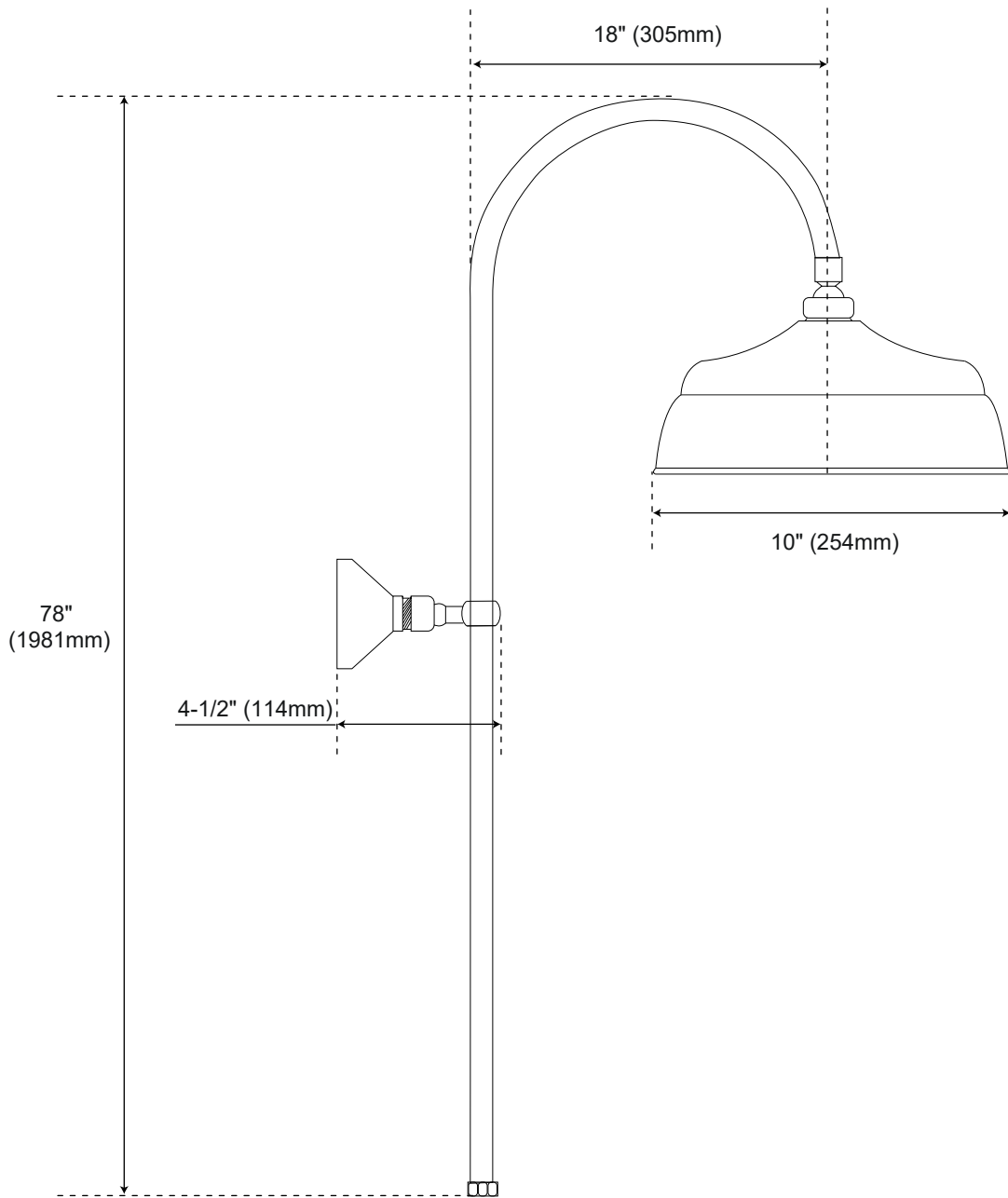


All product dimensions are nominal.



# Wall Shower Head

Side



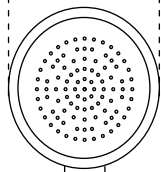
All product dimensions are nominal.



# Handshower

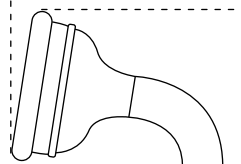
Front

2-3/4" (70 mm)



Side

4" (102 mm)



9"  
(229 mm)



← 5' Hose

All product dimensions are nominal.